



**PROGRAMMABLE DELAY
CHIP WITH ANALOG INPUT**

**Precision Edge®
SY10E196
SY100E196**

FEATURES

- Up to 2ns delay range
- Extended 100E VEE range of -4.2V to -5.5V
- ≈20ps digital step resolution
- Linear input for tighter resolution
- >1GHz bandwidth
- On-chip cascade circuitry
- 75KkΩ input pulldown resistor
- Fully compatible with Motorola MC10E/100E196
- Available in 28-pin PLCC package

DESCRIPTION

The SY10/100E196 are programmable delay chips (PDCs) designed primarily for very accurate differential ECL input edge placement applications.

The delay section consists of a chain of gates and a linear ramp delay adjustment organized as shown in the logic diagram. The first two delay elements feature gates that have been modified to have delays 1.25 and 1.5 times the basic gate delay of approximately 80ps. These two elements provide the E196 with a digitally-selectable resolution of approximately 20ps. The required device delay is selected by the seven address inputs D[0:6], which are latched on-chip by a high signal on the latch enable (LEN) control. If the LEN signal is either LOW or left floating, then the latch is transparent.

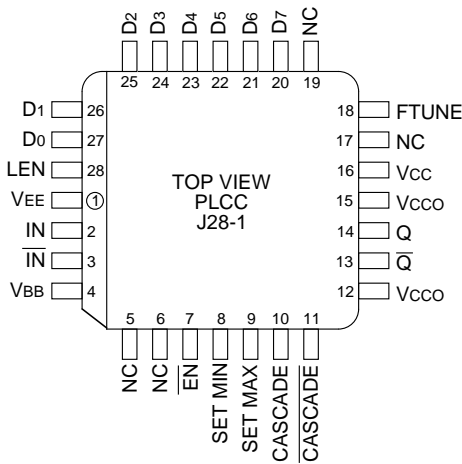
The FTUNE input takes an analog coltage and applies it to an internal linear ramp for reducing the 20s resolution still further. The FTUNE input is what differentiates the E196 from the E195.

An eighth latched input, D7, is provided for cascading multiple PDCs for increased programmable range. The cascade logic allows full control of multiple PDCs, at the expense of only a single added line to the data bus for each additional PDC, without the need for any external gating.

PIN NAMES

Pin	Function
IN/ \overline{IN}	Signal Input
\overline{EN}	Input Enable
D[0:7]	Mux Select Inputs
Q/ \overline{Q}	Signal Output
LEN	Latch Enable
SET MIN	Minimum Delay Set
SET MAX	Maximum Delay Set
CASCADE	Cascade Signal
FTUNE	Linear Voltage Input
Vcco	Vcc to Output

PACKAGE/ORDERING INFORMATION



28-Pin PLCC (J28-1)

Ordering Information⁽¹⁾

Part Number	Package Type	Operating Range	Package Marking	Lead Finish
SY10E196JC	J28-1	Commercial	SY10E196JC	Sn-Pb
SY10E196JCTR ⁽²⁾	J28-1	Commercial	SY10E196JC	Sn-Pb
SY100E196JI	J28-1	Industrial	SY100E196JI	Sn-Pb
SY100E196JITR ⁽²⁾	J28-1	Industrial	SY100E196JI	Sn-Pb
SY10E196JZ ⁽³⁾	J28-1	Commercial	SY10E196JZ with Pb-Free bar-line indicator	Matte-Sn
SY10E196JZTR ^(2, 3)	J28-1	Commercial	SY10E196JZ with Pb-Free bar-line indicator	Matte-Sn
SY100E196JY ⁽³⁾	J28-1	Industrial	SY100E196JY with Pb-Free bar-line indicator	Matte-Sn
SY100E196JYTR ^(2, 3)	J28-1	Industrial	SY100E196JY with Pb-Free bar-line indicator	Matte-Sn

Notes:

1. Contact factory for die availability. Dice are guaranteed at $T_A = 25^\circ\text{C}$, DC Electricals only.
2. Tape and Reel.
3. Pb-Free package is recommended for new designs.

DC ELECTRICAL CHARACTERISTICS

VEE = VEE (Min.) to VEE (Max.); VCC = VCCO = GND

Symbol	Parameter	TA = 0°C			TA = +25°C			TA = +85°C			Unit	Condition
		Min.	Typ.	Max.	Min.	Typ.	Max.	Min.	Typ.	Max.		
I _{IH}	Input HIGH Current	—	—	150	—	—	150	—	—	150	μA	—
I _{EE}	Power Supply Current										mA	—
	10E	—	130	156	—	130	156	—	130	156		
	100E	—	130	156	—	130	156	—	150	179		

AC ELECTRICAL CHARACTERISTICS

VEE = VEE (Min.) to VEE (Max.); VCC = VCCO = GND

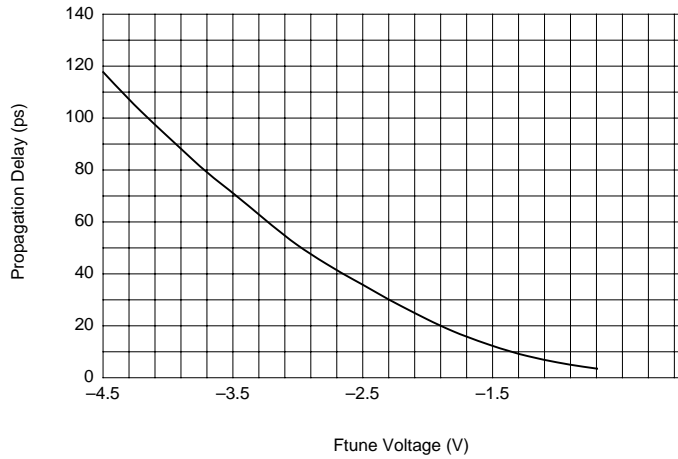
Symbol	Parameter	TA = 0°C			TA = +25°C			TA = +85°C			Unit	Condition
		Min.	Typ.	Max.	Min.	Typ.	Max.	Min.	Typ.	Max.		
t _{PD}	Propagation Delay to Output IN to Q; Tap = 0 IN to Q; Tap = 127 EN to Q; Tap = 0 D7 to CASCADE	1210 3320 1250 300	1360 3570 1450 450	1510 3820 1650 700	1240 3380 1275 300	1390 3630 1475 450	1540 3880 1675 700	1440 3920 1350 300	1590 4270 1650 450	1765 4720 1950 700	ps	—
t _{RANGE}	Programmable Range t _{PD} (max.) – t _{PD} (min.)	2000	2175	—	2050	2240	—	2375	2580	—	ps	—
Δt	Step Delay D0 High D1 High D2 High D3 High D4 High D5 High D6 High	— — 55 115 250 505 1000	17 34 68 136 272 544 1088	— — 105 180 325 620 1190	— — 55 115 250 515 1030	17.5 35 70 140 280 560 1120	— — 105 180 325 620 1220	— — 65 140 305 620 1240	21 42 84 168 336 672 1344	— — 120 205 380 740 1450	ps	6
Lin	Linearity	D1	D0	—	D1	D0	—	D1	D0	—	—	7
t _{skew}	Duty Cycle Skew, t _{PHL} –t _{PLH}	—	±30	—	—	±30	—	—	±30	—	ps	1
t _s	Set-up Time D to LEN D to IN EN to IN	200 800 200	0 — —	— — —	200 800 200	0 — —	— — —	200 800 200	0 — —	— — —	ps	2 3
t _H	Hold Time LEN to D IN to EN	500 0	250 —	— —	500 0	250 —	— —	500 0	250 —	— —	ps	4
t _R	Release Time EN to IN SET MAX to LEN SET MIN to LEN	300 800 800	— — —	— — —	300 800 800	— — —	— — —	300 800 800	— — —	— — —	ps	5
t _{jit}	Jitter	—	<5	—	—	<5	—	—	<5	—	ps	8
t _r t _f	Rise/Fall Times 20–80% (Q) 20–80% (CASCADE)	125 300	225 450	325 650	125 300	225 450	325 650	125 300	225 450	325 650	ps	—

Notes:

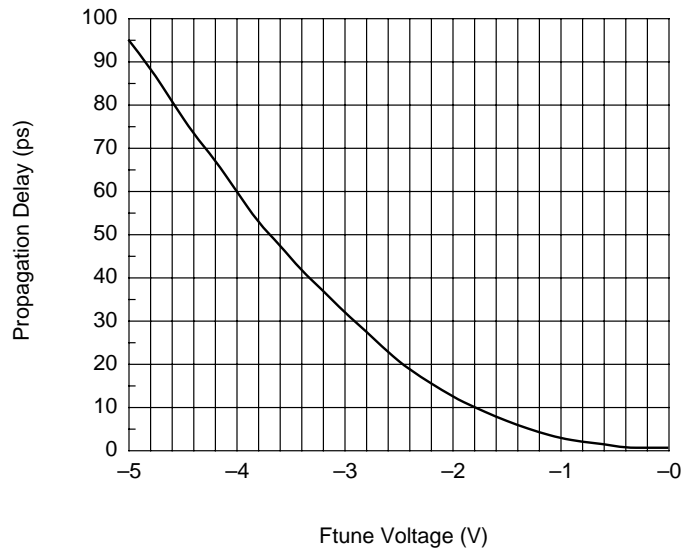
1. Duty cycle skew guaranteed only for differential operation measured from the cross point of the input to the cross point of the output.
2. This set-up time defines the amount of time prior to the input signal the delay tap of the device must be set.
3. This set-up time is the minimum time that EN must be asserted prior to the next transition of IN/IN to prevent an output response greater than ±75mV to that IN/IN transition.
4. This hold time is the minimum time that EN must remain asserted after a negative going IN or positive going IN to prevent an output response greater than ±75mV to that IN/IN transition.
5. This release time is the minimum time that EN must be deasserted prior to the next IN/IN transition to ensure an output response that meets the specified IN to Q propagation delay and transition times.
6. Specification limits represent the amount of delay added with the assertion of each individual delay control pin. The various combinations of asserted delay control inputs will typically realize D0 resolution steps across the specified programmable range.
7. The linearity specification guarantees to which delay control input the programmable steps will be monotonic (i.e. increasing delay steps for increasing binary counts on the control inputs Dn). Typically, the device will be monotonic to the D0 input, however, under worst case conditions and process variation, delays could decrease slightly with increasing binary counts when the D0 input is the LSB. With the D1 input as the LSB, the device is guaranteed to be monotonic over all specified environmental conditions and process variation.
8. The jitter of the device is less than what can be measured without resorting to very tedious and specialized measurement techniques.

APPLICATIONS INFORMATION

Analog Input Characteristics: Ftune = VCC to VEE



Propagation Delay vs Ftune Voltage (100E196)



Propagation Delay vs Ftune Voltage (10E196)

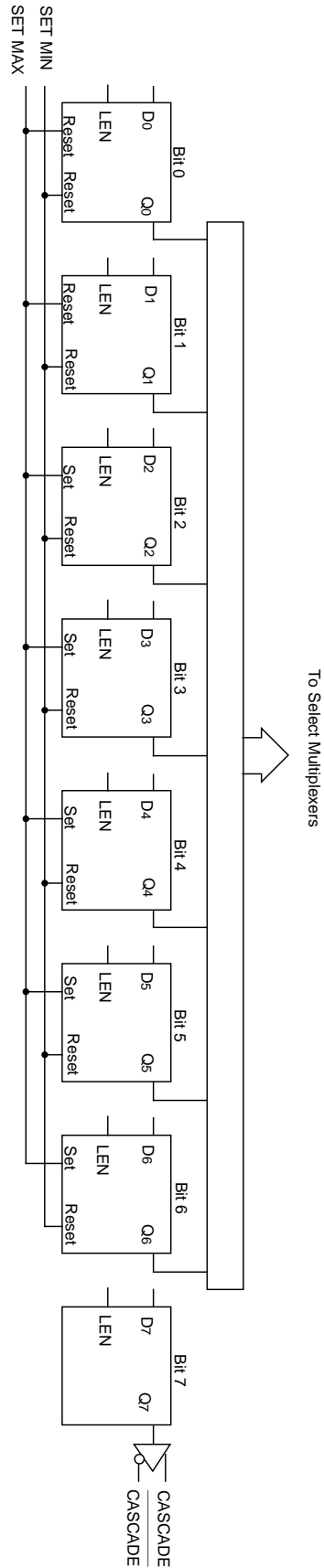


Figure 2. Expansion of the Latch Section of the E196 Block Diagram

Using the FTUNE Analog Input

The analog FTUNE pin on the E196 device is intended to enhance the 20ps resolution capabilities of the fully digital E195. The level of resolution obtained is dependent on the number of increments applied to the appropriate range on the FTUNE pin.

To provide another level of resolution, the FTUNE pin must be capable of adjusting the delay by greater than the 20ps digital resolution. As shown in the provided graphs, this requirement is easily achieved since a 100ps delay can be achieved over the entire FTUNE voltage range. This extra analog range ensures that the FTUNE pin will be capable, even under worst case conditions, of covering the digital resolution.

Typically, the analog input will be driven by an external DAC to provide a digital control with very fine analog output steps. The final resolution of the device will be dependent on the width of the DAC chosen.

To determine the voltage range necessary for the FTUNE input, the graphs provided should be used. As an example, if a range of 40ps is selected to cover worst case conditions and ensure coverage of the digital range, from the 100E196 graph a voltage range of -3.25V to -4V would be necessary on the FTUNE pin. Obviously, there are numerous voltage ranges which can be used to cover a given delay range. Users are given the flexibility to determine which one best fits their design.

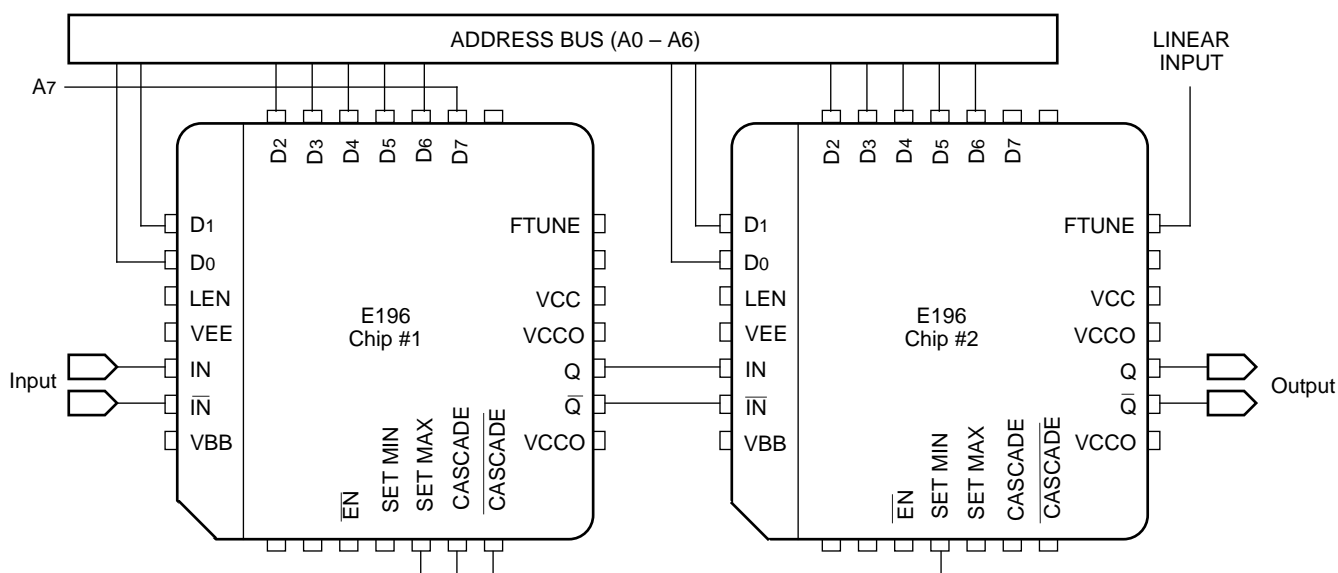


Figure 1. Cascading Interconnect Architecture

Cascading Multiple E196s

To increase the programmable range of the E196, internal cascade circuitry has been included. This circuitry allows for the cascading of multiple E196s without the need for any external gating. Furthermore, this capability requires only one more address line per added E196. Obviously, cascading multiple PDCs will result in a larger programmable range; however, this increase is at the expense of a longer minimum delay.

Figure 1 illustrates the interconnect scheme for cascading two E196s. As can be seen, this scheme can easily be expanded for larger E196 chains. The D7 input of the E196 is the cascade control pin. With the interconnect scheme of Figure 1, when D7 is asserted, it signals the need for a larger programmable range than is achievable with a single device.

An expansion of the latch section of the block diagram is pictured below. Use of this diagram will simplify the explanation of how the cascade circuitry works. When D7 of chip #1 above is low, the cascade output will also be low, while the cascade bar output will be a logical high. In this condition, the SET MIN pin of chip #2 will be asserted and, thus, all of the latches of chip #2 will be reset and the device will be set at its minimum delay. Since the RESET and SET inputs of the latches are overriding, any changes on the A0-A6 address bus will not affect the operation of chip #2.

Chip #1, on the other hand, will have both SET MIN and SET MAX de-asserted so that its delay will be controlled entirely by the address bus A0-A6. If the delay needed is greater than can be achieved with 31.75 gate

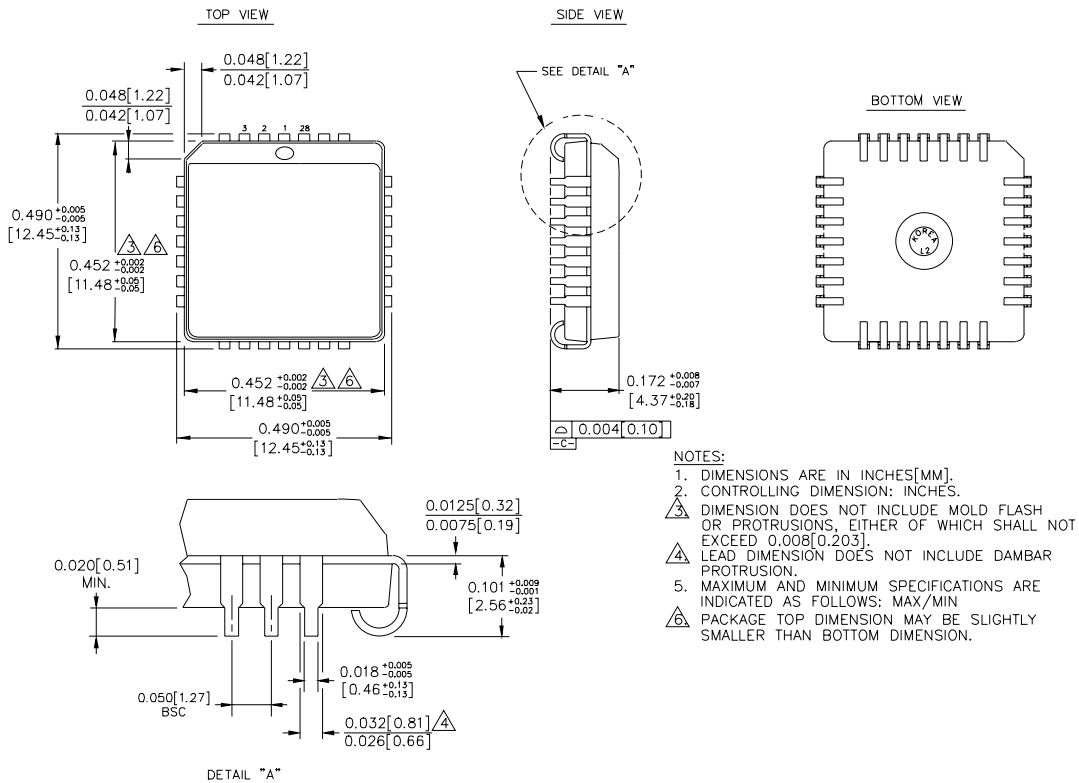
delays (1111111 on the A0–A6 address bus), D7 will be asserted to signal the need to cascade the delay to the next E196 device. When D7 is asserted, the SET MIN pin of chip #2 will be de-asserted and the delay will be controlled by the A0–A6 address bus. Chip #1, on the other hand, will have its SET MAX pin asserted, resulting in the device delay to be independent of the A0–A6 address bus.

When the SET MAX pin of chip #1 is asserted, the D0 and D1 latches will be reset, while the rest of the latches will be set. In addition, to maintain monotonicity, an additional gate delay is selected in the cascade circuitry. As a result, when D7 of chip #1 is asserted, the delay increases from 31.75 gates to 32 gates. A 32-gate delay

is the maximum delay setting for the E196.

When cascading multiple PDCs, it will prove more cost-effective to use a single E196 for the MSB of the chain, while using E195 for the lower order bits. This is due to the fact that only one fine tune input is needed to further reduce the delay step resolution.

28-PIN PLCC (J28-1)



Rev. 03

MICREL, INC. 2180 FORTUNE DRIVE SAN JOSE, CA 95131 USA

TEL + 1 (408) 944-0800 FAX + 1 (408) 474-1000 WEB <http://www.micrel.com>

The information furnished by Micrel in this data sheet is believed to be accurate and reliable. However, no responsibility is assumed by Micrel for its use. Micrel reserves the right to change circuitry and specifications at any time without notification to the customer.

Micrel Products are not designed or authorized for use as components in life support appliances, devices or systems where malfunction of a product can reasonably be expected to result in personal injury. Life support devices or systems are devices or systems that (a) are intended for surgical implant into the body or (b) support or sustain life, and whose failure to perform can be reasonably expected to result in a significant injury to the user. A Purchaser's use or sale of Micrel Products for use in life support appliances, devices or systems is at Purchaser's own risk and Purchaser agrees to fully indemnify Micrel for any damages resulting from such use or sale.

© 2006 Micrel, Incorporated.