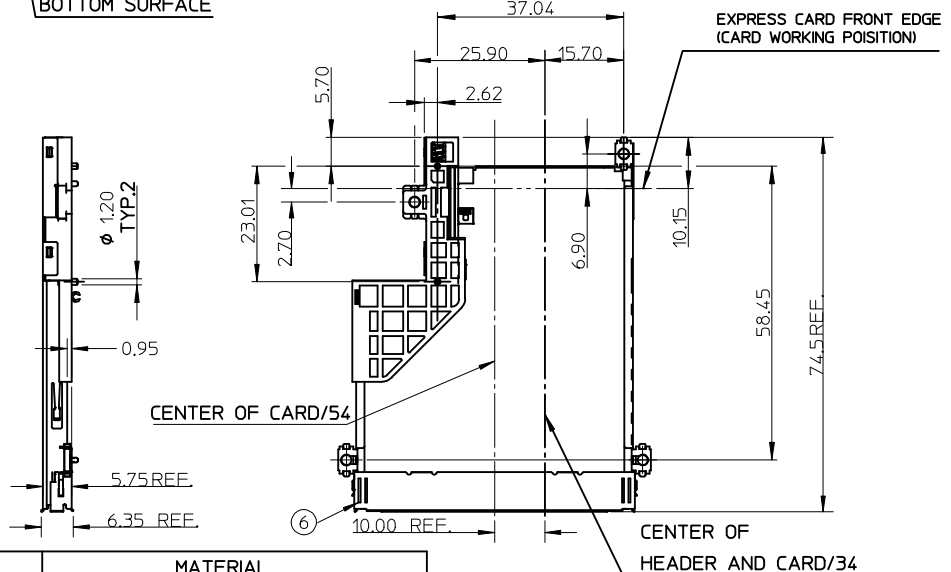
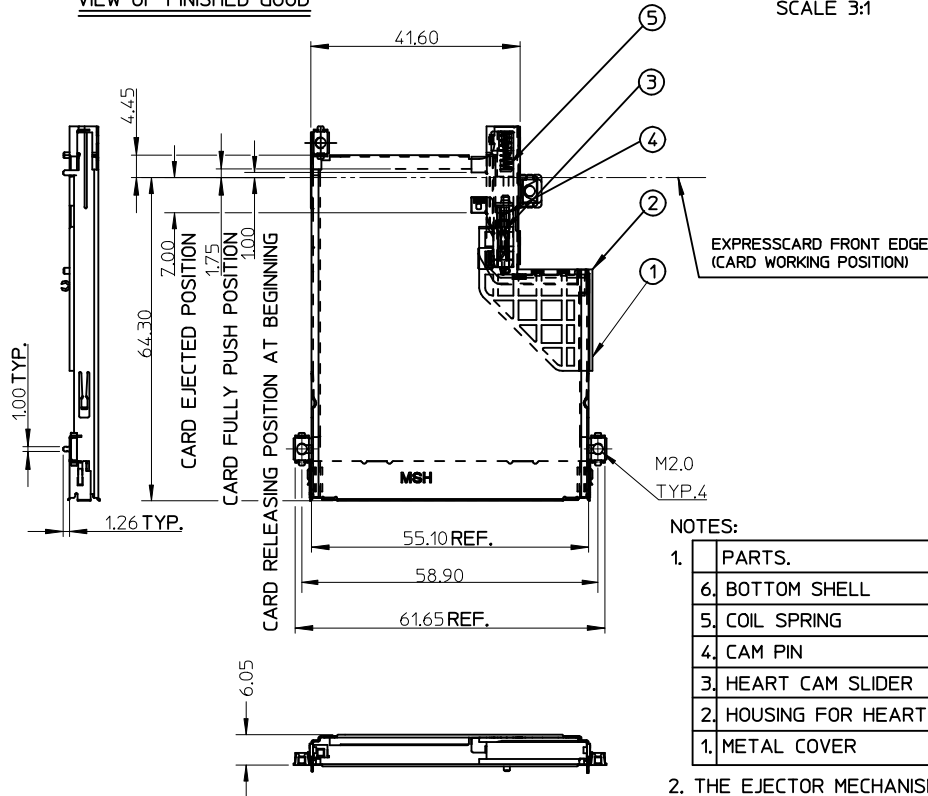


P/N	DESCRIPTION
47150-0003	W/O BOTTOM SHELL
47150-0004	W BOTTOM SHELL

VIEW OF FINISHED GOOD

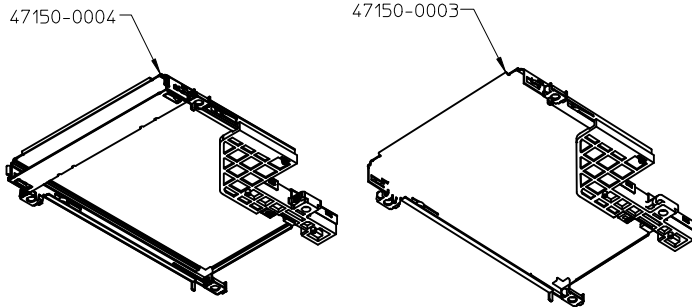


NOTES:

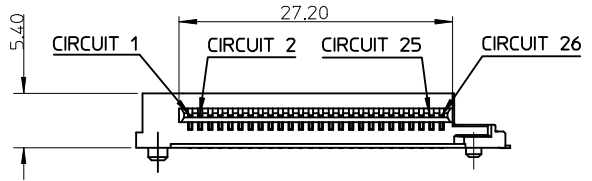
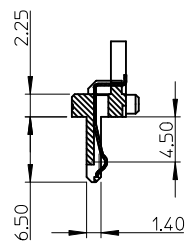
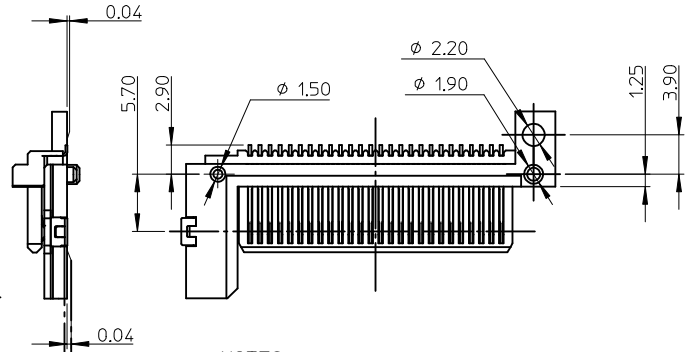
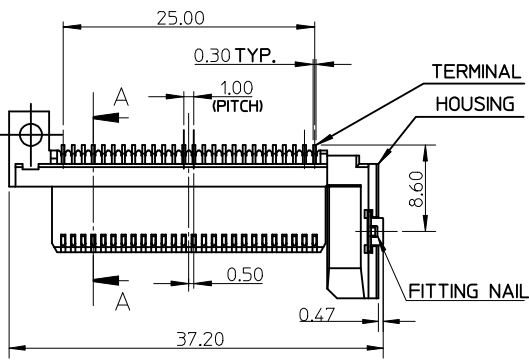
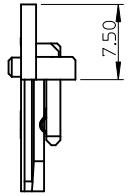
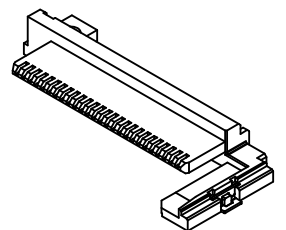
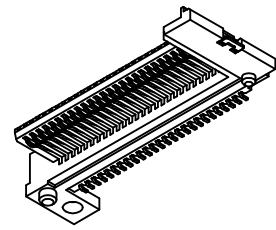
1.	PARTS.	MATERIAL
6.	BOTTOM SHELL	STAINLESS STEEL
5.	COIL SPRING	PIANO WIRE
4.	CAM PIN	STAINLESS STEEL
3.	HEART CAM SLIDER	HIGH TEMPERATURE THERMOPLASTIC
2.	HOUSING FOR HEART CAM	HIGH TEMPERATURE THERMOPLASTIC
1.	METAL COVER	STAINLESS STEEL

- 4. APPLICABLE HEADER: 47150-0002
- 5. WHEN DELIVERING, THE HEART CAM SLIDER IS IN THE STATE OF THE SPRING RELEASED. (CARD EJECTED OUT POSITION).
- 6. SLOT DESIGN BASED ON EXPRESS CARD ASSOC. REV.A.
- 7. EXPRESSCARD SLOT TO BE COMPATIBLE BOTH EXPRESSCARD/34 AND /54.

- 2. THE EJECTOR MECHANISM TO BE ASSEMBLED BASES ON 34 CARD CENTER LINE.
- 3. PRODUCT SPEC. REFERS TO PS-47202-001



NEW RELEASE EC NO: SH2006-0040 DRWN: LBAO CHKD: CHKD APPR: YTYAP 2005/07/25 2005/07/26 2005/07/26	QUALITY SYMBOLS ▽=0 ▽=0	GENERAL TOLERANCES (UNLESS SPECIFIED)		DIMENSION STYLE MM ONLY	SCALE 1:1	DESIGN UNITS METRIC	THIRD ANGLE PROJECTION		
		4 PLACES ± --- ± --- 3 PLACES ± --- ± --- 2 PLACES ± 0.25 ± --- 1 PLACE ± 0.25 ± ---	mm INCH	DRAWN BY R. BIAN	DATE 2004/11/24	TITLE EXPRESSCARD SLOT WITH PUSH-PUSH MECHANISM TOP MOUNT			
		ANGULAR ± 3 °		APPROVED BY	DATE	MOLEX MOLEX INCORPORATED			
		DRAFT WHERE APPLICABLE MUST REMAIN WITHIN DIMENSIONS		MATERIAL NO. SEE TABLE	DOCUMENT NO. SD-47150-001	SHEET NO. 1 OF 4			



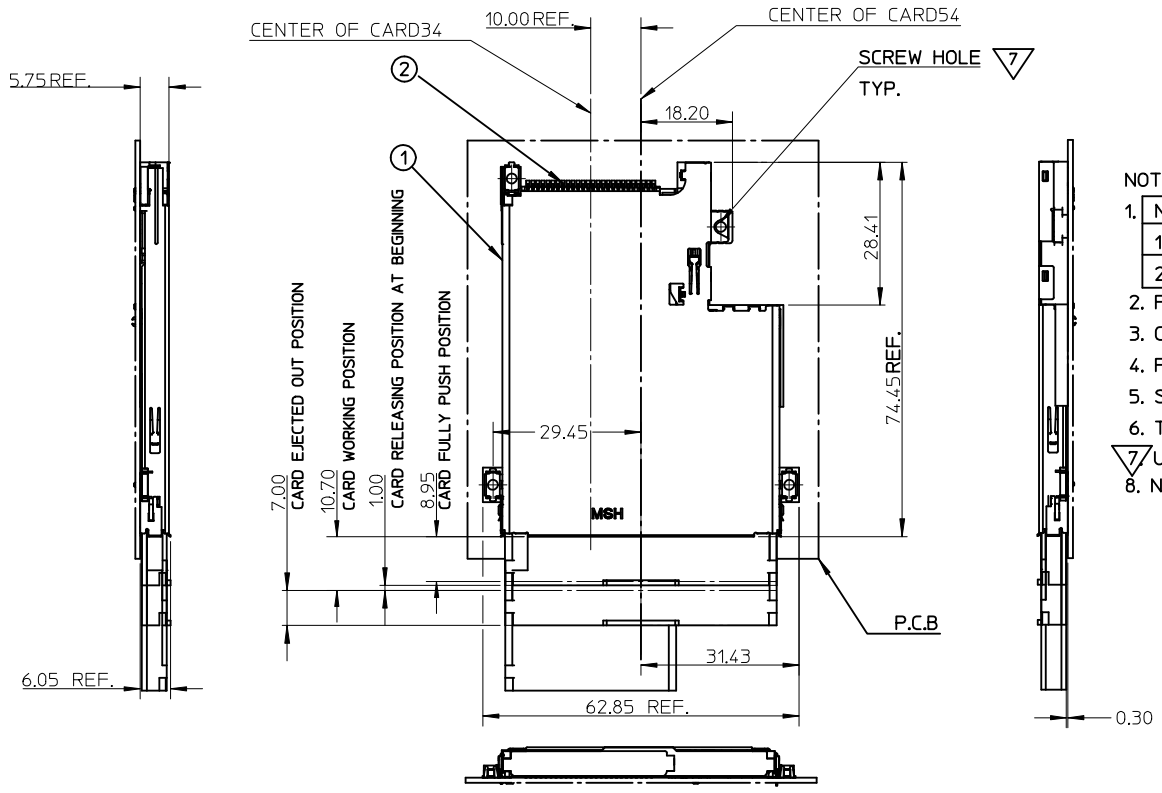
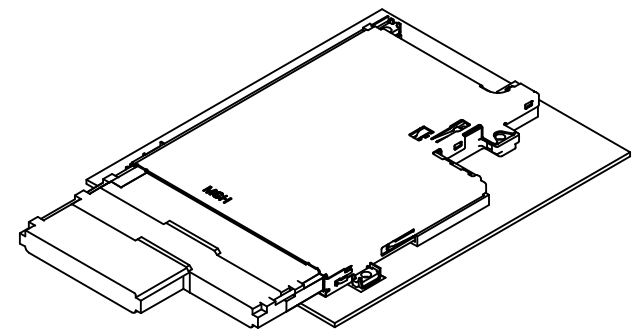
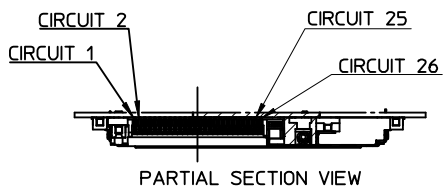
NOTES:

- 1. MATERIAL:
 - HOUSING: HIGH TEMPERATURE THERMOPLASTIC
 - TERMINAL: COPPER ALLOY.
 - FITTING NAIL : COPPER ALLOY.
- 2. FINISH:
 - TERMINAL: SELECTIVE GOLD(AU) IN CONTACT AREA.
 - THICKNESS: 0.3 MICROMETER MIN
 - SELECTIVE PURE TIN IN SOLDER TAIL AREA.
 - THICKNESS: 3 MICROMETER MIN
 - UNDERPLATING : NICKEL(NI) OVERALL
- 3. COPLANARITY AT SOLDER TAIL TO BE 0.1mm MAX.
- 4. PRODUCT SPEC. REFERS TO PS-47202-001
- 5. APPLICABLE EXPRESS CARD SLOT: 47150-0003/47150-0004

SECTION A-A

NEW RELEASE EC NO: SH2006-0040 DRWNLBAA CHKD: APPR: YTYAP REV: B	2005/07/25 2005/07/26 2005/07/26	DESCRIPTION REV	QUALITY SYMBOLS	GENERAL TOLERANCES (UNLESS SPECIFIED)	DIMENSION STYLE	SCALE	DESIGN UNITS	THIRD ANGLE PROJECTION		
			▼=0 □=0	mm INCH 4 PLACES ± --- ± --- 3 PLACES ± --- ± --- 2 PLACES ± 0.25 ± --- 1 PLACE ± 0.25 ± --- ANGULAR ± 3 °	MM ONLY	2:1	METRIC	DRAWN BY: R. BIAN DATE: 2004/11/24 CHECKED BY: _____ DATE: _____ APPROVED BY: _____ DATE: _____	TITLE	EXPRESSCARD SLOT WITH PUSH-PUSH MECHANISM TOP MOUNT
			DRAFT WHERE APPLICABLE MUST REMAIN WITHIN DIMENSIONS	MATERIAL NO.	DOCUMENT NO.	SHEET NO.	MOLEX INCORPORATED 47150-0002 SD-47150-001 2 OF 4			
			SIZE A3	THIS DRAWING CONTAINS INFORMATION THAT IS PROPRIETARY TO MOLEX INCORPORATED AND SHOULD NOT BE USED WITHOUT WRITTEN PERMISSION						

10 9 8 7 6 5 4 3 2 1



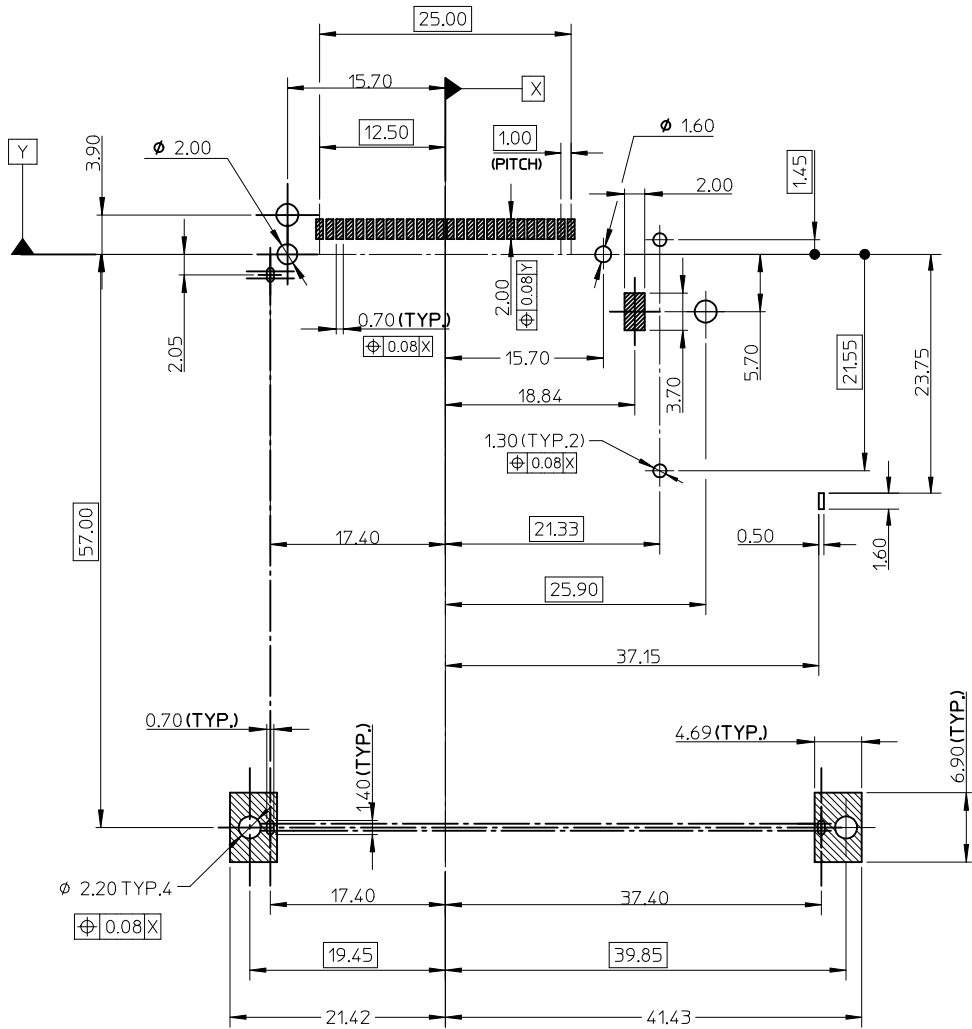
NOTES:

- | 1. NO. | DRAWING | MATERIAL NO. | DESCRIPTION |
|--------|-------------|-----------------------|-------------------|
| 1 | SEE SHEET 1 | 47150-0003/47150-0004 | EJECTOR MECHANISM |
| 2 | SEE SHEET 2 | 47150-0002 | CARD HEADER |
- P.C.B LAYOUT REFERS TO SHEET 4.
 - COPLANRTY OF HEADER FOR SMT SOLDER TAIL TO BE 0.1mm MAX
 - PRODUCT SPEC. REFERS TO PS-47202-001.
 - SCREW FASTENING TORQUE: 2kgf-cm.
 - TRUE POSITION IS 0.15mm MAX BETWEEN SOLDER TAILS.
 - 7 USING M2 SCREW AND NUT TO FIX
 - NON-REFLOW PROCESS FOR CARD SLOT



9 8 7 6 5 4 3 2 1


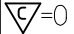
<p>NEW RELEASE</p> <p>EC NO: SH2006-0040</p> <p>DRWNLB0 2005/07/25</p> <p>CHKD: 2005/07/26</p> <p>APPR: YTYAP 2005/07/26</p>	QUALITY SYMBOLS	<p>GENERAL TOLERANCES (UNLESS SPECIFIED)</p> <table border="1"> <thead> <tr> <th></th> <th>mm</th> <th>INCH</th> </tr> </thead> <tbody> <tr> <td>4 PLACES</td> <td>± ---</td> <td>± ---</td> </tr> <tr> <td>3 PLACES</td> <td>± ---</td> <td>± ---</td> </tr> <tr> <td>2 PLACES</td> <td>± 0.25</td> <td>±</td> </tr> <tr> <td>1 PLACE</td> <td>± 0.25</td> <td>±</td> </tr> </tbody> </table> <p>ANGULAR ± 3 °</p> <p>DRAFT WHERE APPLICABLE MUST REMAIN WITHIN DIMENSIONS</p>		mm	INCH	4 PLACES	± ---	± ---	3 PLACES	± ---	± ---	2 PLACES	± 0.25	±	1 PLACE	± 0.25	±	DIMENSION STYLE	SCALE	DESIGN UNITS	THIRD ANGLE PROJECTION
			mm	INCH																	
	4 PLACES		± ---	± ---																	
	3 PLACES		± ---	± ---																	
2 PLACES	± 0.25	±																			
1 PLACE	± 0.25	±																			
	MM ONLY	2:1	METRIC	☉ □																	
	<p>DRAWN BY R. BIAN</p> <p>CHECKED BY</p> <p>APPROVED BY</p> <p>MATERIAL NO. N/A</p>	<p>DATE 2004/11/24</p> <p>DATE</p> <p>DATE</p> <p>N/A</p>	<p>TITLE</p> <p>EXPRESSCARD SLOT WITH PUSH-PUSH MECHANISM TOP MOUNT</p>																		
			<p>MOLEX MOLEX INCORPORATED</p>	<p>DOCUMENT NO. SD-47150-001</p> <p>SHEET NO. 3 OF 4</p>																	

THIS DRAWING CONTAINS INFORMATION THAT IS PROPRIETARY TO MOLEX INCORPORATED AND SHOULD NOT BE USED WITHOUT WRITTEN PERMISSION



NOTES :

1.  SOLDER PAD AREA
2.  GROUNDING PAD AREA

<p>NEW RELEASE EC NO: SH2006-0040 DRWN: LBAO CHKD: APPR: YTYAP</p>	<p>2005/07/25 2005/07/26 2005/07/26</p>	<p>DESCRIPTION REV</p>	<p>QUALITY SYMBOLS  = 0  = 0</p>	GENERAL TOLERANCES (UNLESS SPECIFIED)		DIMENSION STYLE	SCALE	DESIGN UNITS	THIRD ANGLE PROJECTION	
						MM ONLY	1:1	METRIC		
						DRAWN BY	DATE	TITLE		
						CHECKED BY	DATE	EXPRESSCARD SLOT WITH PUSH-PUSH MECHANISM TOP MOUNT		
		APPROVED BY		DATE	MOLEX INCORPORATED					
		MATERIAL NO.		DOCUMENT NO.			SHEET NO.			
		N/A		SD-47150-001			4 OF 4			
		DRAFT WHERE APPLICABLE MUST REMAIN WITHIN DIMENSIONS		THIS DRAWING CONTAINS INFORMATION THAT IS PROPRIETARY TO MOLEX INCORPORATED AND SHOULD NOT BE USED WITHOUT WRITTEN PERMISSION						
		SIZE								
		A3								