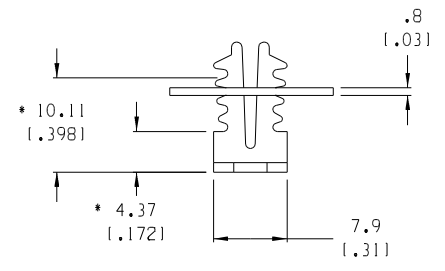
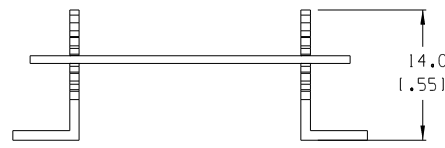
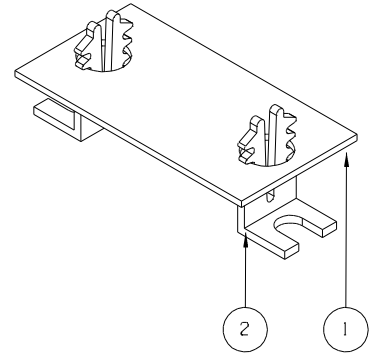
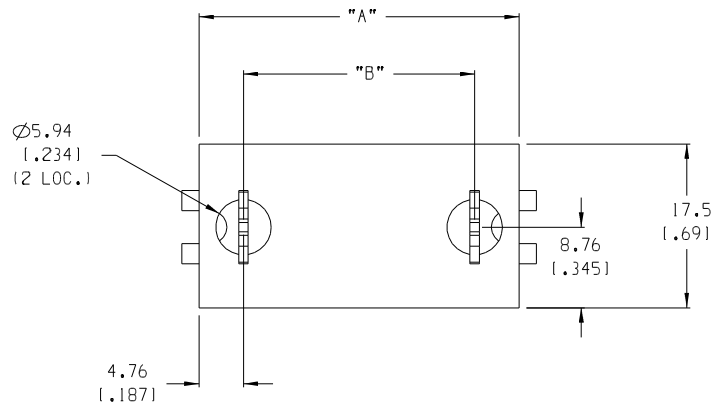


| NO. OF CIRC. | DIM. "A" | DIM. "B" | KIT MATERIAL NO. |
|--------------|--------------|--------------|------------------|
| 02 | 34.0 [1.34] | 24.4 [1.96] | 387336402 |
| 03 | 45.2 [1.78] | 35.6 [1.40] | 387336403 |
| 04 | 56.4 [2.22] | 46.7 [1.84] | 387336404 |
| 05 | 67.6 [2.66] | 58.0 [2.28] | 387336405 |
| 06 | 78.5 [3.09] | 69.0 [2.71] | 387336406 |
| 07 | 89.7 [3.53] | 80.0 [3.15] | 387336407 |
| 08 | 100.8 [3.97] | 91.2 [3.59] | 387336408 |
| 09 | 112.0 [4.41] | 102.4 [4.03] | 387336409 |



- NOTES:
1. MATERIAL: SEE TABLE
 2. FINISHES: SEE TABLE
 3. PRODUCT SPECIFICATION: NOT REQUIRED
 4. PACKAGING: AS REQUIRED
 5. MATES WITH: 13, 25, AND 7400 SERIES BTS

| ITEM | QTY. | DESCRIPTION | MATERIAL | FINISH |
|------|------|-----------------------|------------------|---------|
| 2 | 2 | LATCH CLIPS | ACETAL | NATURAL |
| 1 | 1 | SINGLE ROW FLAT COVER | VULCANIZED FIBER | BLACK |

EC NO. RELEASED
 DRAWN: JF 11-30-04
 CH'K: APPR:
 REV: A

QUALITY SYMBOLS
 MAJOR
 CRITICAL
 SPC

| GENERAL TOLERANCES: (UNLESS SPECIFIED) | |
|--|--------|
| | mm |
| 4 PLACES | ±.0015 |
| 3 PLACES | ±.038 |
| 2 PLACES | ±.13 |
| 1 PLACE | ±.3 |
| ANGULAR: ±2° | |

DRAFT WHERE APPLICABLE MUST REMAIN WITHIN DIMENSIONS

SCALE: 2:1
 DESIGN UNITS: mm INCH
 THIRD ANGLE PROJECTION
 DRAWN BY & DATE: J.FARMER 11-30-04
 CHECKED BY & DATE:
 APPROVED BY & DATE:

| | | |
|--|--|---------------------------|
| PROJECT NO.: | - | - |
| DIMENSIONS: | <input checked="" type="checkbox"/> mm <input type="checkbox"/> INCH | SHT: REV |
| | <input type="checkbox"/> mm ONLY | REVISE ON CAD ONLY |
| TITLE: COVER SR BTS KIT | | |
| MOLEX INCORPORATED | | |
| CAD FILENAME: CA02XX | MATERIAL NO. SEE CHART | DRAWING NO. SD-38733-6402 |
| THIS DRAWING CONTAINS INFORMATION THAT IS PROPRIETARY TO MOLEX INCORPORATED AND SHOULD NOT BE USED WITHOUT WRITTEN PERMISSION. | | SHEET NO. 1 OF 1 |
| | | SIZE B |