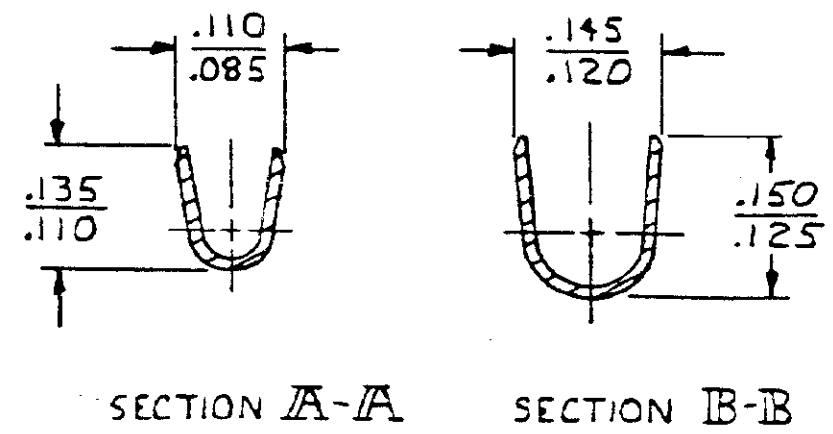
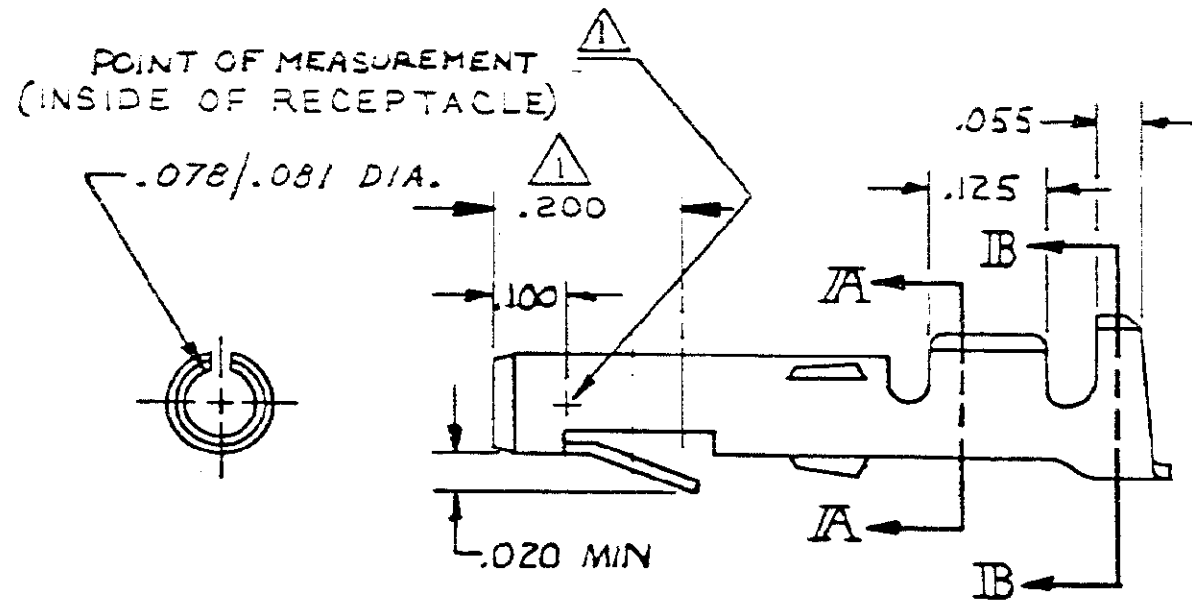
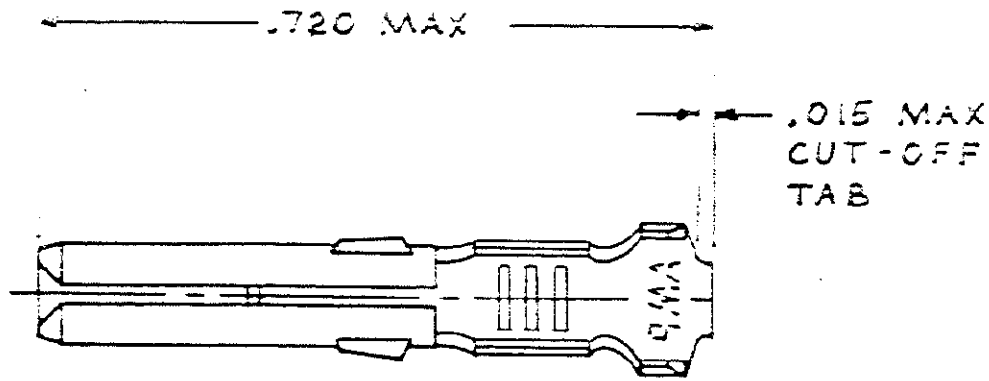


THIS DRAWING IS UNPUBLISHED. RELEASED FOR PUBLICATION . 19  
 © COPYRIGHT 19 BY AMP INCORPORATED, HARRISBURG, PA. ALL INTERNATIONAL RIGHTS RESERVED. AMP PRODUCTS MAY BE COVERED BY U.S. AND FOREIGN PATENTS AND/OR PATENTS PENDING.

REVISIONS					
P	F	ZONE	LTR	DESCRIPTION	DATE APPROVED
✓		0		RLSD PER DFTG REQUEST 84-6	6-12-84 TB
✓		A		REV PER ECN CM.54	7/20/85 JS/RS
✓		B		OBSOLETE -26-3 CM-473	5-14-86 Kw/RS
✓		C		OBSOLETE -4 PER CM-862	9-3-87 PLS



- 1. NICKEL PLATED ON ENTIRE TERMINAL, .000030 GOLD OVER INSIDE OF MATING AREA AND WIRE BARREL.
- 2. WIRE RANGE: 18-24 AWG.
- 3. INSULATION RANGE: .100 MAX.

GOLD	△	.010 BRASS	61473-5
PRE-TIN		.010 BRASS	61473-1
FINISH		MATERIAL	PART NO.

UNLESS OTHERWISE SPECIFIED DIMENSIONS ARE IN INCHES. TOLERANCES ON: DECIMALS ± .005 ANGLES ± .005		CONTRACT NO		PART NO	
MATERIAL SEE TABLE		OR <i>T Beck 6/12/84</i>		<b>AMP</b>   AMP INCORPORATED Harrisburg, Pa.	
FINISH SEE TABLE		CHG <i>M. Jones 6/12/84</i> APPD <i>R. L. ... 6-13-84</i>			
		NAME SOCKET, COMMERCIAL MATE-N-LOK, LOOSE PIECE			
		DSGN APPD		DRAWING NO 61473	
		OTHER APPD		SCALE 5:1	
				SHEET	

CUSTOMER DRAWING