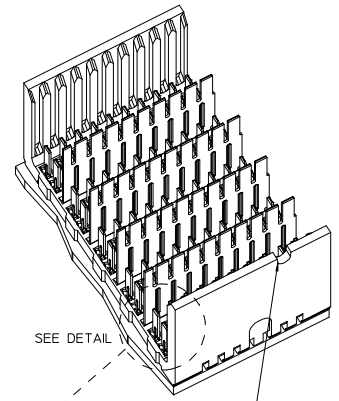
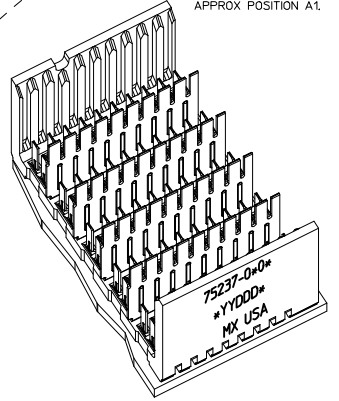
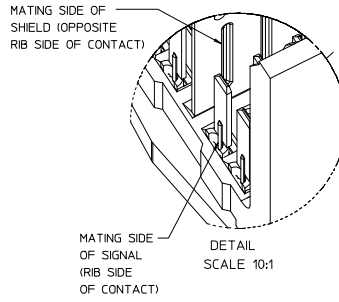
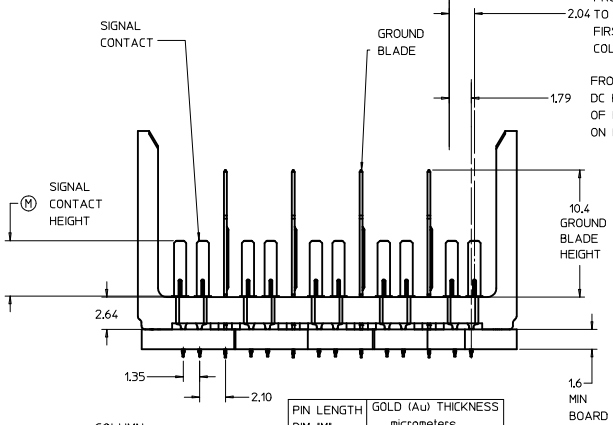
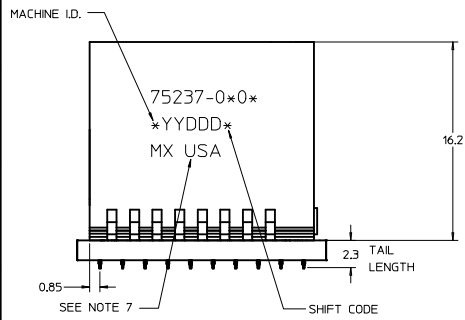


ROW AG & NG RECOMMENDED FOR ALL APPLICATIONS. THESE ROWS SHOULD BE CONNECTED TO GROUND.



NOTCH DESIGNATES APPROX POSITION A1.



THE PRIMARY CARTON WITH A LABEL STATING "ELV AND RoHS COMPLAINT" IS LEAD FREE. CARTONS WITHOUT THIS LABEL MAY CONTAIN LEAD.

- NOTES:**
1. MATERIAL: HOUSING - LIQUID CRYSTAL POLYMER (LCP) GLASS-FILLED, UL 94V-0, COLOR - BLACK. SIGNAL CONTACT AND GROUND BLADE - HIGH PERFORMANCE COPPER ALLOY.
 2. FINISHES: SELECTIVE GOLD (Au) ON CONTACT AREA, SELECTIVE MATTE TIN (Sn) ON PCB TAILS, NICKEL (Ni) OVERALL.
 3. THIS PART CONFORMS TO MOLEX PRODUCT SPECIFICATION PS-75221-999.
 4. FOR MIXED CONTACT MATING LENGTHS CONSULT MOLEX FOR AVAILABILITY. CONTACT PAIRS MUST BE THE SAME LENGTH.
 5. FOR SPECIFIC PART NUMBER AND MATING INFORMATION PLEASE REFER TO CHART.
 6. PACKAGE PER PK-70873-565.
 7. EITHER MARK PART NUMBER AND DATE CODE APPROXIMATELY WHERE SHOWN, ON EITHER SIDE OF THE PART OR PLACE A LABEL ON THE TUBE
 8. MAPS (MOLEX ADVANCED PLATING SYSTEM).

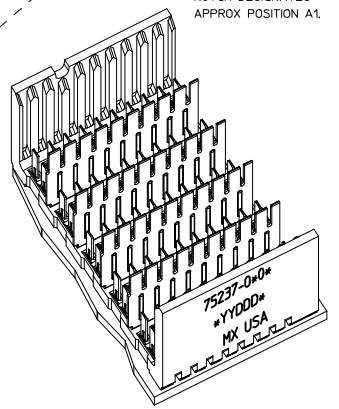
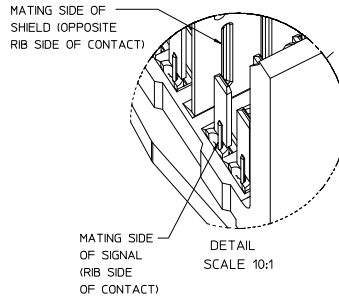
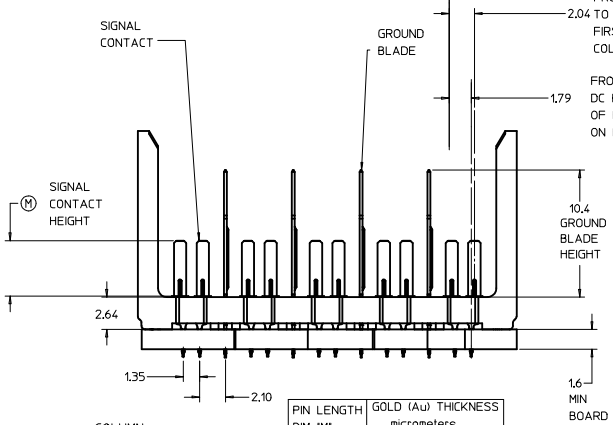
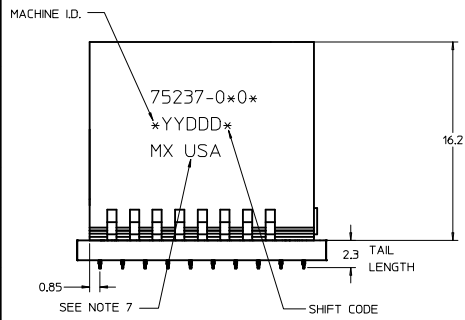
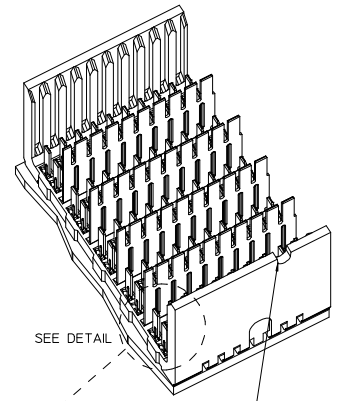
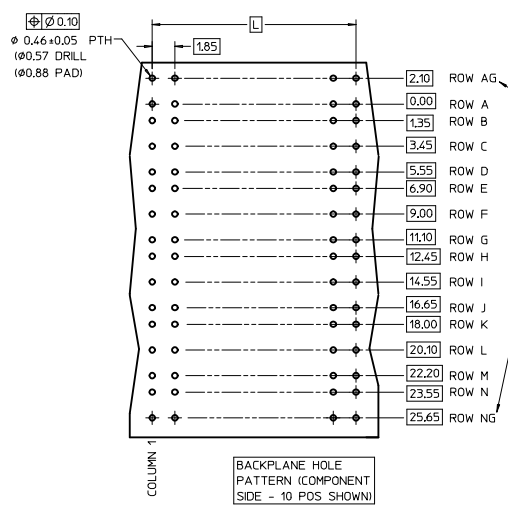
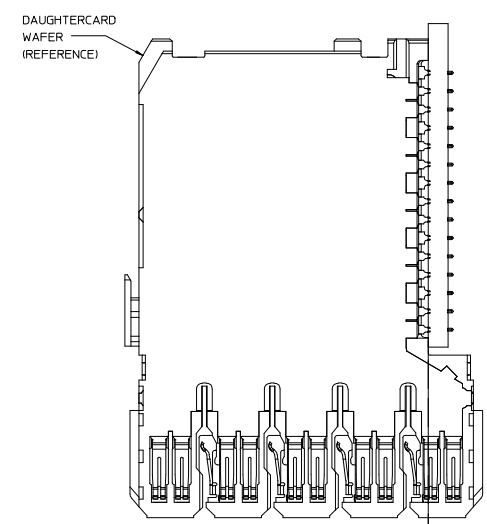
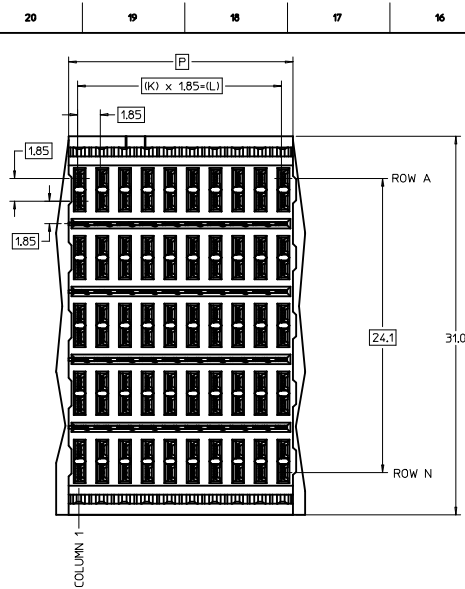
PIN LENGTH DIM "M"	GOLD (Au) THICKNESS micrometers
0-3.55 mm	0.25 (MAPS)
1-4.55 mm	
2-5.55 mm	
3-3.55 mm	
4-4.55 mm	0.76
5-5.55 mm	
7-3.55 mm	
8-4.55 mm	
9-5.55 mm	1.27

75237-0*0*
 COLUMN 1 = 10 COL
 2 = 25 COL
 MODULE ORIENTATION OPEN = 0
 KEYING ORIENTATION 0 = OPEN

ASSY PART NO.	K	L	P	TOTAL NO. OF DIFFERENTIAL PAIRS
75237-010*	9	16.65	18.35	50
75237-020*	24	44.40	46.10	125

LEAD-FREE PLATING

REV TO LEAD-FREE IEC NO: UICP2013-1905 DRAWN BY: CHYKHOLOFE CHECKED BY: APPR:SMILLER DATE: 2012/09/06 DATE: 2012/12/05	QUALITY SYMBOLS $\nabla=0$ $\nabla=0$ $\nabla=0$	GENERAL TOLERANCES (UNLESS SPECIFIED) <table border="1"> <thead> <tr> <th></th> <th>mm</th> <th>INCH</th> </tr> </thead> <tbody> <tr> <td>4 PLACES</td> <td>±0.15</td> <td>±---</td> </tr> <tr> <td>3 PLACES</td> <td>±---</td> <td>±---</td> </tr> <tr> <td>2 PLACES</td> <td>±0.25</td> <td>±---</td> </tr> <tr> <td>1 PLACE</td> <td>±0.38</td> <td>±---</td> </tr> <tr> <td>0 PLACE</td> <td>±---</td> <td>±---</td> </tr> </tbody> </table>		mm	INCH	4 PLACES	±0.15	±---	3 PLACES	±---	±---	2 PLACES	±0.25	±---	1 PLACE	±0.38	±---	0 PLACE	±---	±---	DIMENSION STYLE MM ONLY DRAWN BY: NMARTIN CHECKED BY: SREED DATE: 2003/12/15 DATE: 2003/12/15 APPROVED BY: CBI XLER DATE: 2003/12/15	SCALE 5:1 DESIGN UNITS METRIC THIRD ANGLE PROJECTION	TITLE GBX 5-PAIR LF OPEN END BACKPLANE SALES ASSEMBLY molex MATERIAL NO. SD-75237-010 DOCUMENT NO. SD-75237-010	SHEET NO. 1 OF 1
		mm	INCH																					
	4 PLACES	±0.15	±---																					
	3 PLACES	±---	±---																					
2 PLACES	±0.25	±---																						
1 PLACE	±0.38	±---																						
0 PLACE	±---	±---																						
DRAFT WHERE APPLICABLE MUST REMAIN WITHIN DIMENSIONS		ANGULAR ±1/2°		SEE CHART		THIS DRAWING CONTAINS INFORMATION THAT IS PROPRIETARY TO MOLEX INCORPORATED AND SHOULD NOT BE USED WITHOUT WRITTEN PERMISSION																		



THE PRIMARY CARTON WITH A LABEL STATING "ELV AND RoHS COMPLAINT" IS LEAD FREE. CARTONS WITHOUT THIS LABEL MAY CONTAIN LEAD.

- NOTES:**
1. MATERIAL: HOUSING - LIQUID CRYSTAL POLYMER (LCP) GLASS-FILLED, UL 94V-0, COLOR - BLACK, SIGNAL CONTACT AND GROUND BLADE - HIGH PERFORMANCE COPPER ALLOY.
 2. FINISHES: SELECTIVE GOLD (Au) ON CONTACT AREA, SELECTIVE MATTE TIN (Sn) ON PCB TAILS, NICKEL (Ni) OVERALL.
 3. THIS PART CONFORMS TO MOLEX PRODUCT SPECIFICATION PS-75221-999.
 4. FOR MIXED CONTACT MATING LENGTHS CONSULT MOLEX FOR AVAILABILITY. CONTACT PAIRS MUST BE THE SAME LENGTH.
 5. FOR SPECIFIC PART NUMBER AND MATING INFORMATION PLEASE REFER TO CHART.
 6. PACKAGE PER PK-70873-565.
 7. EITHER MARK PART NUMBER AND DATE CODE APPROXIMATELY WHERE SHOWN, ON EITHER SIDE OF THE PART OR PLACE A LABEL ON THE TUBE
 8. MAPS (MOLEX ADVANCED PLATING SYSTEM).

PIN LENGTH DIM "M"	GOLD (Au) THICKNESS	
	micrometers	
0-3.55 mm	0.25 (MAPS)	
1-4.55 mm		
2-5.55 mm		
3-3.55 mm	0.76	
4-4.55 mm		
5-5.55 mm		
7-3.55 mm	1.27	
8-4.55 mm		
9-5.55 mm		

MODULE ORIENTATION OPEN = 0
KEYING ORIENTATION 0 = OPEN

PART NUMBER TABLE				
ASSY PART NO.	K	L	P	TOTAL NO. OF DIFFERENTIAL PAIRS
75237-010*	9	16.65	18.35	50
75237-020*	24	44.40	46.10	125

LEAD-FREE PLATING

REV TO LEAD-FREE IEC NO.: UICP2013-1905 D: DRWINGS 2012/09/06 CHYKOWITZ 2012/09/06 APPROXIMILLER 2012/12/05	QUALITY SYMBOLS	GENERAL TOLERANCES (UNLESS SPECIFIED)	DIMENSION STYLE	SCALE	DESIGN UNITS	THIRD ANGLE PROJECTION
	▽=0	mm INCH	MM ONLY	5:1	METRIC	
	▽=0	4 PLACES ± ---	DRAWN BY	DATE	TITLE	
	▽=0	3 PLACES ± ---	NMARTIN	2003/12/15	GBX 5-PAIR LF OPEN END BACKPLANE SALES ASSEMBLY	
	2 PLACES ± 0.25	CHECKED BY	DATE			
	1 PLACE ± 0.38	SREED	2003/12/15			
	0 PLACE ±	APPROVED BY	DATE			
		CBIXLER	2003/12/15			
	ANGULAR ±1/2°	MATERIAL NO.	SEE CHART	DOCUMENT NO.	SD-75237-010	
	DRAFT WHERE APPLICABLE MUST REMAIN WITHIN DIMENSIONS	SIZE	THIS DRAWING CONTAINS INFORMATION THAT IS PROPRIETARY TO MOLEX INCORPORATED AND SHOULD NOT BE USED WITHOUT WRITTEN PERMISSION			