

1

2

3

4

5

6

7

A

B

C

D

E

F

A

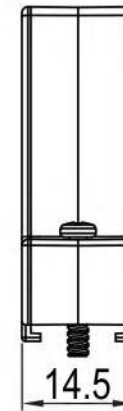
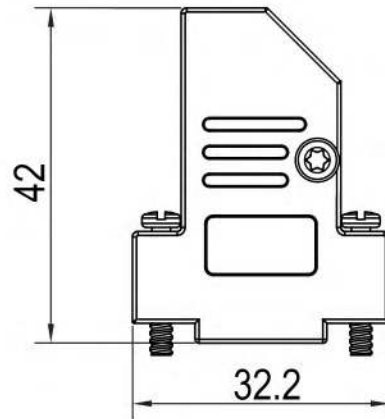
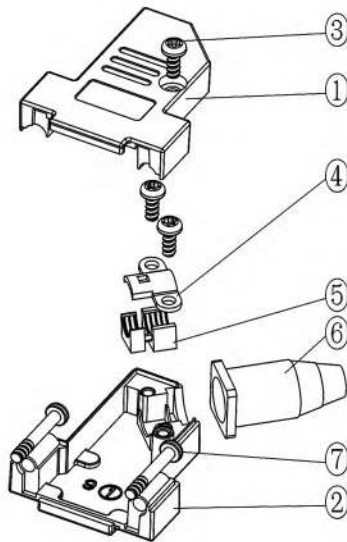
B

C

D

E

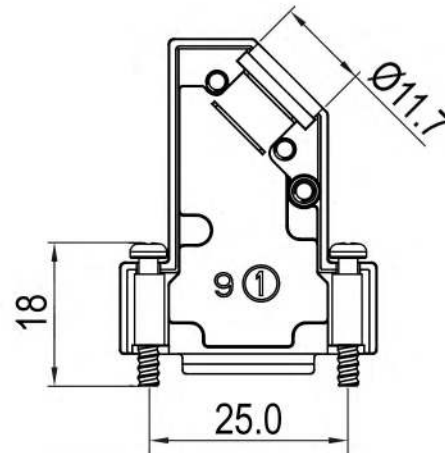
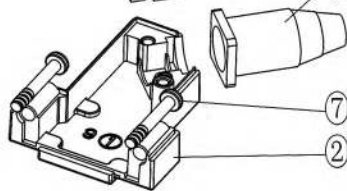
F



#### TECHNICAL SPECIFICATIONS

Material: Zinc  
 Plating: Nickel  
 Operating Temperature: -25°C to +90°C  
 Jackscrews: M3

No. of contacts: 09-15-25-37



| Item | QTY | Part description |
|------|-----|------------------|
| 1    | 1   | Upper Cover      |
| 2    | 1   | Lower Cover      |
| 3    | 3   | TX M2.5x6 Screw  |
| 4    | 1   | Cable Clamp      |
| 5    | 1   | Plastic Insert   |
| 6    | 1   | Rubber Grommet   |
| 7    | 2   | Jackscrew M3x18  |

**RoHS compliant**  
 Unit: mm

| Scale     | Free  |     |              |            | Date     | Name       | Customer-No. |           |
|-----------|-------|-----|--------------|------------|----------|------------|--------------|-----------|
| TOLERANCE |       |     |              |            | Drawn    | 17.08.2017 | S.Bölling    |           |
| 0~6       | ±0.10 |     |              |            | Approved | 17.08.2017 | S.Bölling    |           |
| 6~30      | ±0.20 |     |              |            |          |            |              |           |
| 30~120    | ±0.30 |     |              |            |          |            |              |           |
| 120~400   | ±0.50 |     |              |            |          |            |              |           |
| DIM       | Tol   |     |              |            |          |            |              |           |
| Angle     | ±1°   | Ⓢ   | Drawn        | 17.08.2017 |          |            |              | S.Bölling |
| Angle     | Tol   | ld. | Modification | Date       |          |            |              | Name      |

Customer-No.  
 ASSMANN WSW-No.  
**ACOV-SUB-09MB34**

Drawing-No.  
**ASS\_5275\_CO** rev00  
 Replace  
 Sheet 1/4

1

2

3

4

5

6

7

SV4382

1

2

3

4

5

6

7

A

B

C

D

E

F

A

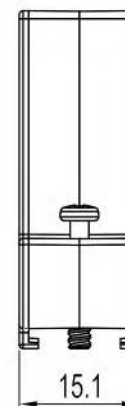
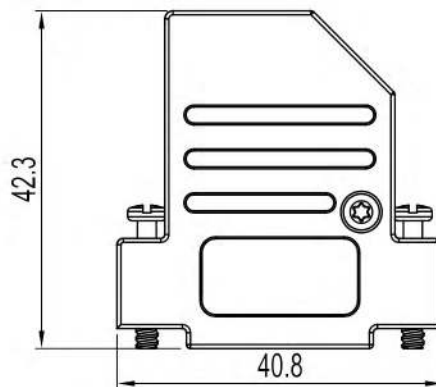
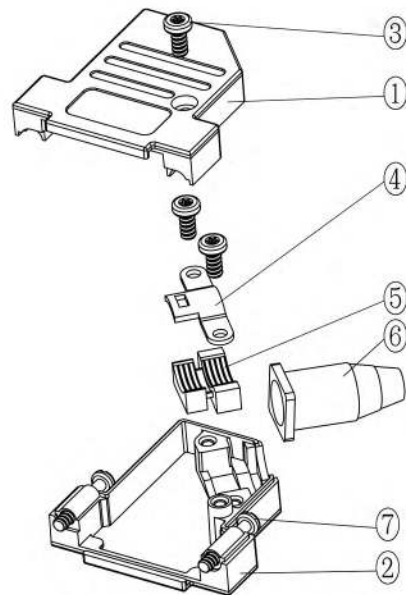
B

C

D

E

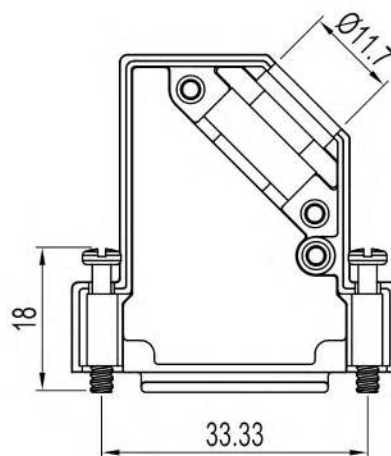
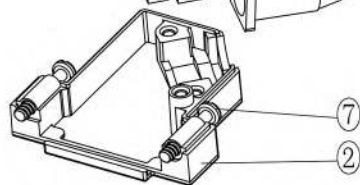
F



#### TECHNICAL SPECIFICATIONS

Material: Zinc  
 Plating: Nickel  
 Operating Temperature: -25°C to +90°C  
 Jackscrews: M3

No. of contacts: 09-15-25-37



| Item | QTY | Part description |
|------|-----|------------------|
| 1    | 1   | Upper Cover      |
| 2    | 1   | Lower Cover      |
| 3    | 3   | TX M2.5x6 Screw  |
| 4    | 1   | Cable Clamp      |
| 5    | 1   | Plastic Insert   |
| 6    | 1   | Rubber Grommet   |
| 7    | 2   | Jackscrew M3x18  |

**RoHS compliant**  
 Unit: mm

| Scale     | Free  |     |              |            | Date     | Name       | Customer-No. |           |
|-----------|-------|-----|--------------|------------|----------|------------|--------------|-----------|
| TOLERANCE |       |     |              |            | Drawn    | 17.08.2017 | S.Bölling    |           |
| 0~6       | ±0.10 |     |              |            | Approved | 17.08.2017 | S.Bölling    |           |
| 6~30      | ±0.20 |     |              |            |          |            |              |           |
| 30~120    | ±0.30 |     |              |            |          |            |              |           |
| 120~400   | ±0.50 |     |              |            |          |            |              |           |
| DIM       | Tol   |     |              |            |          |            |              |           |
| Angle     | ±1°   | Ⓢ   | Drawn        | 17.08.2017 |          |            |              | S.Bölling |
| Angle     | Tol   | Id. | Modification | Date       |          |            |              | Name      |

Customer-No.  
 ASSMANN WSW-No.  
**ACOV-SUB-15MB34**

Drawing-No.  
**ASS\_5275\_CO** rev00  
 Replace  
 Sheet 2/4

1

2

3

4

5

6

7

SV4382

1

2

3

4

5

6

7

A

A

B

B

C

C

D

D

E

E

F

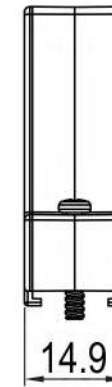
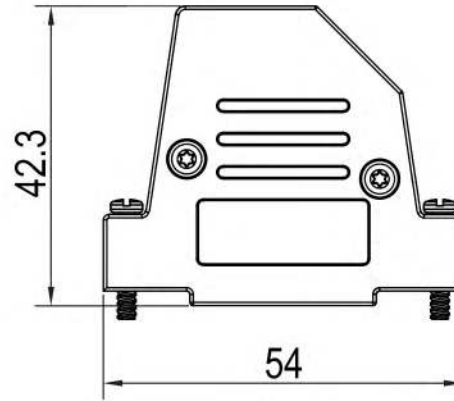
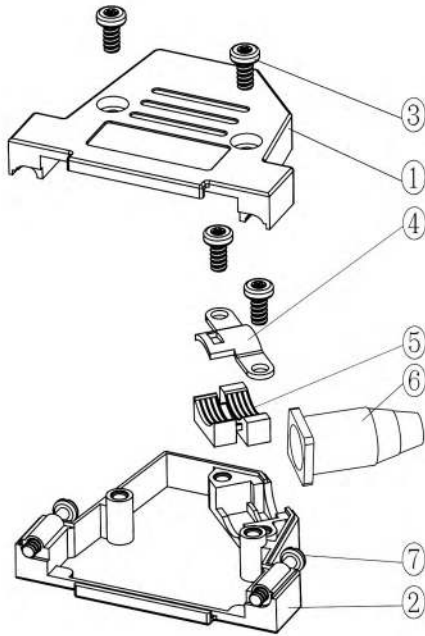
F

G

G

H

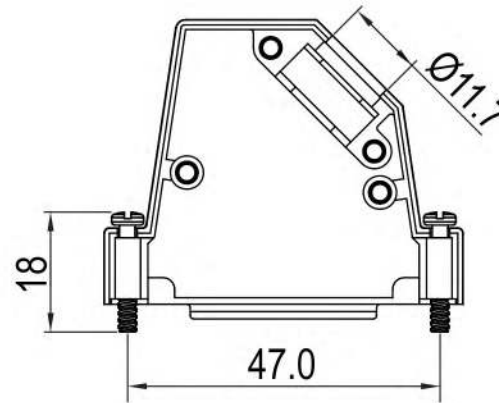
H



#### TECHNICAL SPECIFICATIONS

Material: Zinc  
 Plating: Nickel  
 Operating Temperature: -25°C to +90°C  
 Jackscrews: M3

No. of contacts: 09-15-25-37



| Item | QTY | Part description |
|------|-----|------------------|
| 1    | 1   | Upper Cover      |
| 2    | 1   | Lower Cover      |
| 3    | 4   | TX M2.5x6 Screw  |
| 4    | 1   | Cable Clamp      |
| 5    | 1   | Plastic Insert   |
| 6    | 1   | Rubber Grommet   |
| 7    | 2   | Jackscrew M3x18  |

**RoHS compliant**  
 Unit: mm

| Scale     | Free         | Date     | Name       | Customer-No.  |
|-----------|--------------|----------|------------|---|
| TOLERANCE |              | Drawn    | 17.08.2017 | S.Bölling   |
| 0~6       | ±0.10        | Approved | 17.08.2017 | S.Bölling   |
| 6~30      | ±0.20        |          |            |   |
| 30~120    | ±0.30        |          |            |   |
| 120~400   | ±0.50        |          |            |   |
| DIM       | Tol          |          |            |   |
| Angle     | ±1°          |          |            |   |
| Angle     | Tol          |          |            |   |
| Id.       | Modification | Date     | Name       | Drawing-No.<br><b>ASS_5275_CO</b><br>rev00<br>Replace |

Customer-No.  
 ASSMANN WSW-No.  
**ACOV-SUB-25MB34**

Drawing-No.  
**ASS\_5275\_CO**  
 rev00  
 Sheet 3/4

1

2

3

4

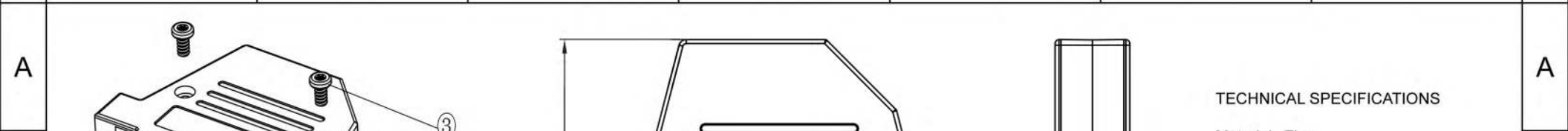
5

6

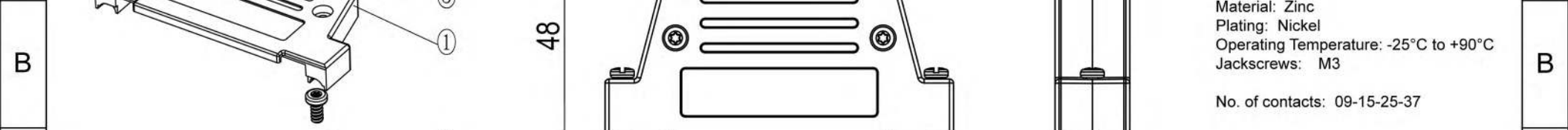
7

SV4382

1 2 3 4 5 6 7



**TECHNICAL SPECIFICATIONS**  
 Material: Zinc  
 Plating: Nickel  
 Operating Temperature: -25°C to +90°C  
 Jackscrews: M3  
 No. of contacts: 09-15-25-37



| Item | QTY | Part description |
|------|-----|------------------|
| 1    | 1   | Upper Cover      |
| 2    | 1   | Lower Cover      |
| 3    | 4   | TX M2.5x6 Screw  |
| 4    | 1   | Cable Clamp      |
| 5    | 1   | Plastic Insert   |
| 6    | 2   | Jackscrew M3x18  |
| 7    | 1   | Rubber Grommet   |

**RoHS compliant**  
 Unit: mm

| Scale     | Free         | Date     | Name       | Customer-No.  |
|-----------|--------------|----------|------------|---|
| TOLERANCE |              | Drawn    | 17.08.2017 | S.Bölling   |
| 0~6       | ±0.10        | Approved | 17.08.2017 | S.Bölling   |
| 6~30      | ±0.20        |          |            |   |
| 30~120    | ±0.30        |          |            |   |
| 120~400   | ±0.50        |          |            |   |
| DIM       | Tol          |          |            |   |
| Angle     | ±1°          |          |            |   |
| Angle     | Tol          |          |            |   |
| Id.       | Modification | Date     | Name       | Drawing-No.<br><b>ASS_5275_CO</b><br>rev00<br>Sheet 4/4 |

1 2 3 4 5 6 7