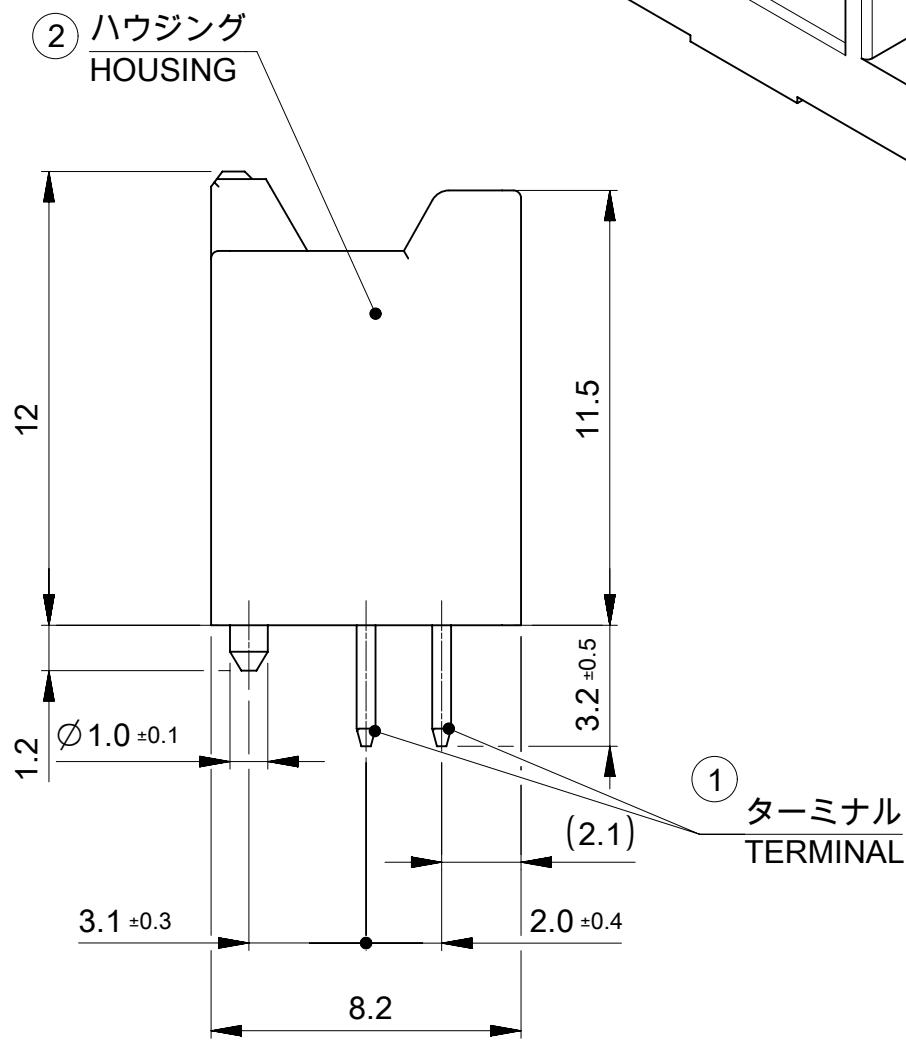
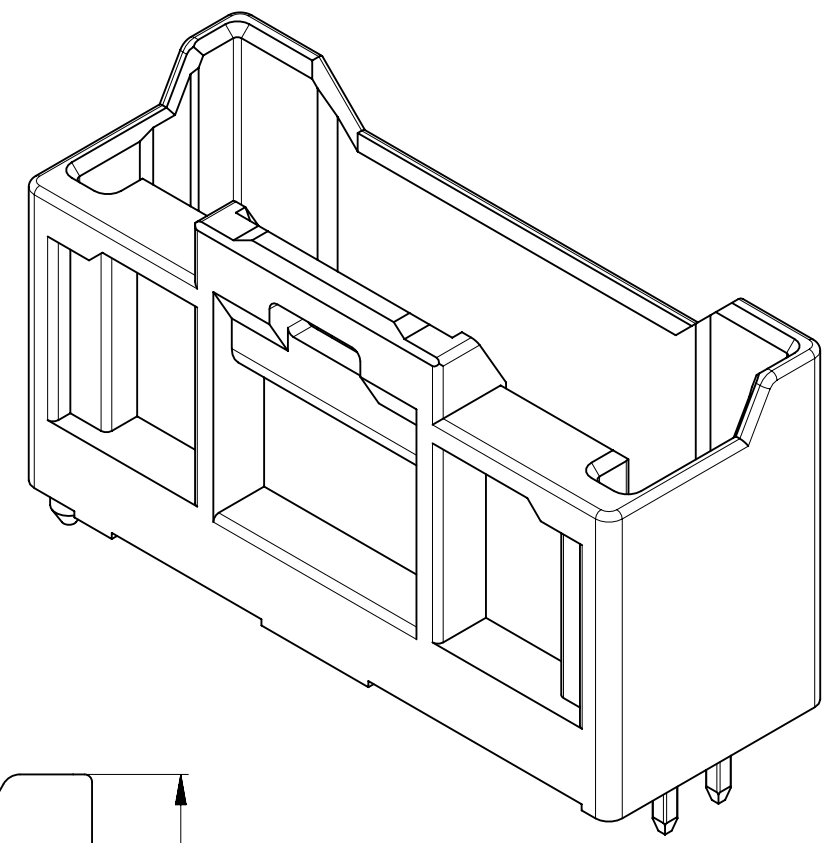


TABLE 1



9.2	38	42	40
9.2	36	40	38
9.2	34	38	36
9.2	32	36	34
9.2	30	34	32
9.2	28	32	30
9.2	26	30	28
9.2	24	28	26
9.2	22	26	24
9.2	20	24	22
9.2	18	22	20
9.2	16	20	18
9.2	14	18	16
9.2	12	16	14
9.2	10	14	12
7.3	8	12	10
C	B	A	極数 CIRCUIT SIZE

番号 No.	部品 PART	材質 MATERIAL
①	ターミナル TERMINAL	黄銅, BRASS
	コンタクト CONTACT	下地めっき UNDER PLATING 銅めっき 1.0 micro-meter MIN. COPPER PLATING 1.0 micro-meter MIN.
	テール SOLDER TAIL	無光沢錫めっき(リフロー処理) 1.0 micro-meter MIN. MATTE TIN PLATING (REFLOW TREATMENT) 1.0 micro-meter MIN.
②	ハウジング HOUSING	ポリアミド(PA)ガラス入り, UL94V-0, 色: SEE CHART POLYAMIDE(PA) GLASS FILLED, UL94V-0, COLOR : SEE CHART

THIS DRAWING CONTAINS INFORMATION THAT IS PROPRIETARY TO MOLEX ELECTRONIC TECHNOLOGIES, LLC AND SHOULD NOT BE USED WITHOUT WRITTEN PERMISSION

DIMENSION UNITS	SCALE	CURRENT REV DESC:	
mm	NTS		
GENERAL TOLERANCES (UNLESS SPECIFIED)			
ANGULAR TOL	± 3.0 °		
4 PLACES	± 0.2	EC NO: 711900	
3 PLACES	± 0.2	DRWN: SNAKAMURA08	2022/06/22
2 PLACES	± 0.2	CHK'D: KOMURAKAMI	2022/07/20
1 PLACE	± 0.2	APPR: SAKIYAMA	2022/07/20
0 PLACES	± 0.2	INITIAL REVISION:	
DRAFT WHERE APPLICABLE MUST REMAIN WITHIN DIMENSIONS		DRWN: SNAKAMURA08	2019/05/09
THIRD ANGLE PROJECTION		APPR: KOMURAKAMI	2019/05/24
DRAWING	SERIES	MATERIAL NUMBER	CUSTOMER
A3-SIZE	501645	5016450000-SD	GENERAL
DOCUMENT NUMBER		DOC TYPE	DOC PART
5016450000-SD		PSD	000
SHEET NUMBER		REVISION	
1 OF 3		D	

**NOTES.**

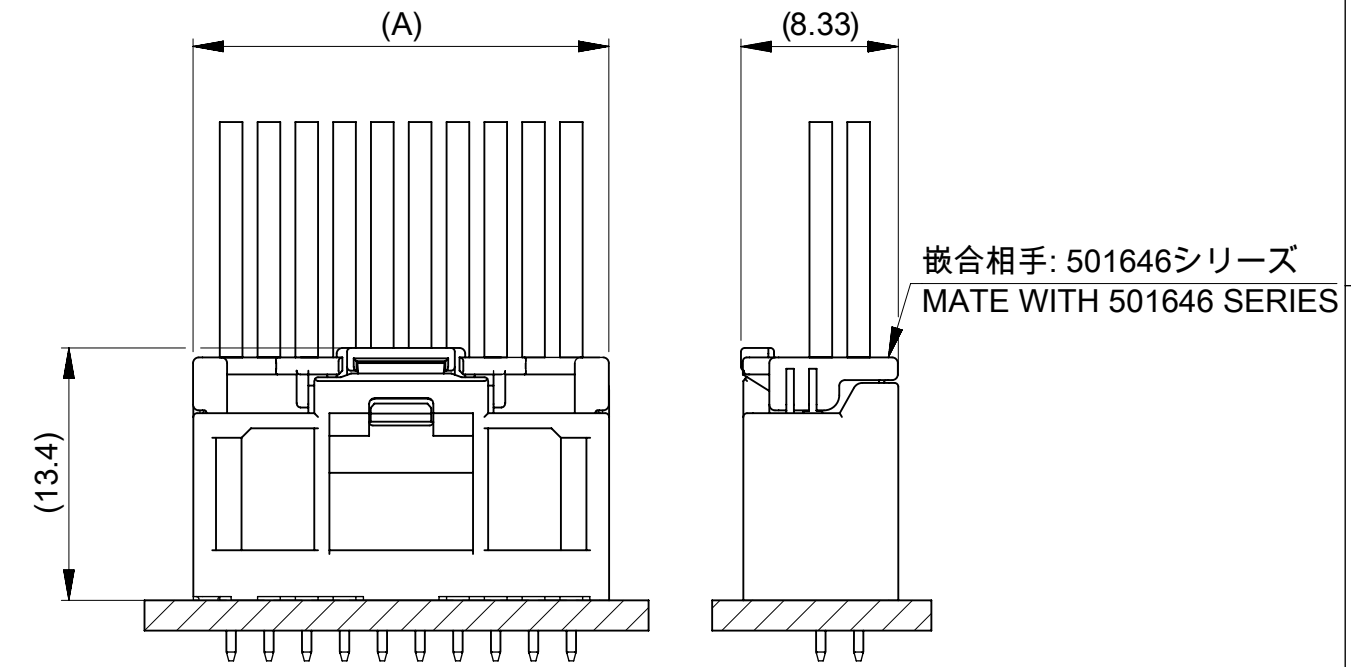
- 1. 材料及び仕上げ(めっき仕様) : TABLE 1 参照  
MATERIAL AND FINISHES : SEE TABLE 1
- 2. 製品仕様書 : PS-501646-001  
PRODUCT SPECIFICATION:PS-501646-001
- 3. 嵌合相手:  
MATES WITH:

リセプタクルハウジング RECEPTACLE HOUSING	501646 SERIES	
圧着端子 RECEPTACLE CRIMP TERMINAL	AWG #22-26 錫めっき AWG #22-26 TIN PLATING	501647 SERIES
	AWG #26-28 錫めっき AWG #26-28 TIN PLATING	501648 SERIES

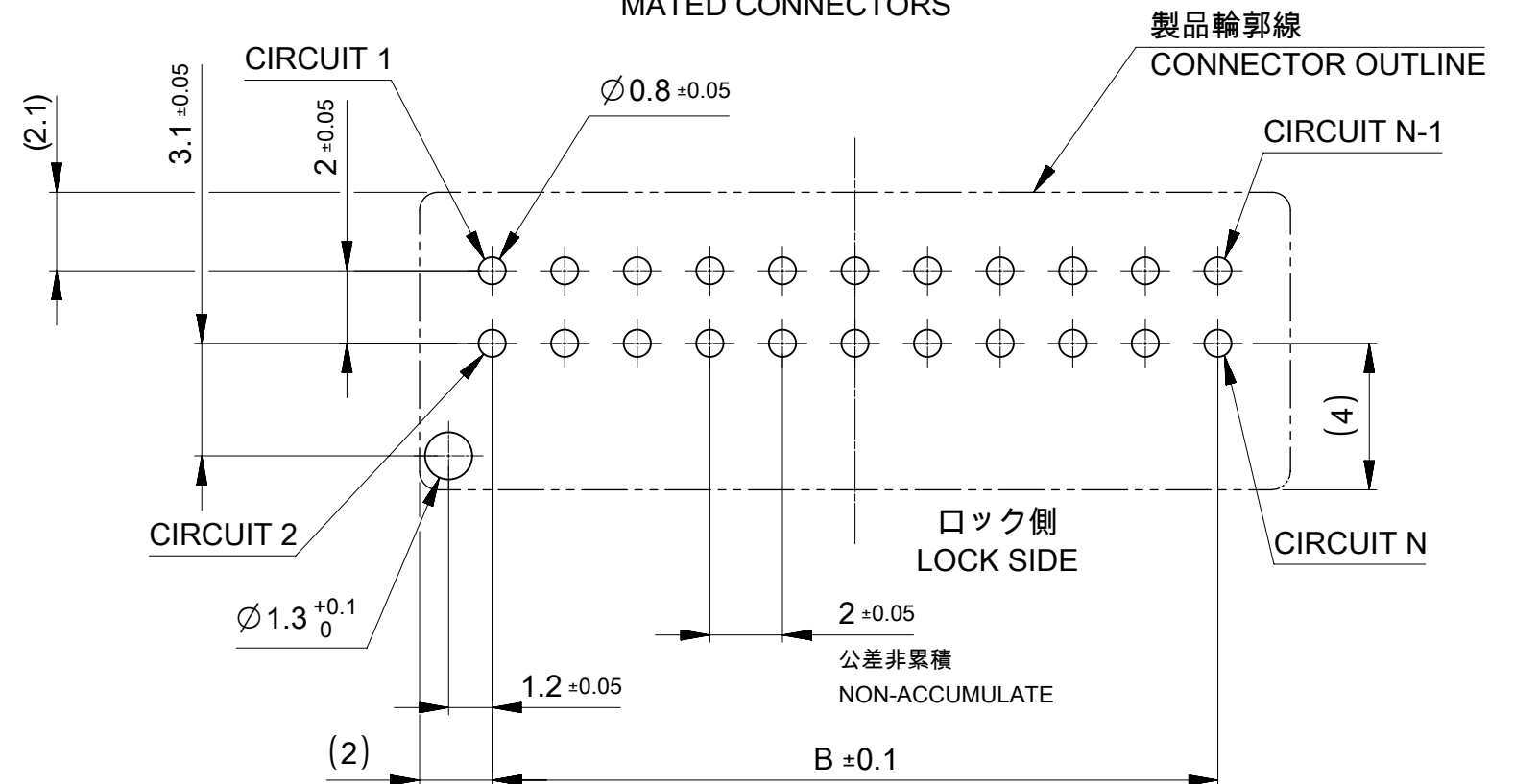
- 4. アプリケーション仕様書(コネクタ取扱い説明書) : 5016460000 PS A01  
APPLICATION SPECIFICATION(CONNECTOR MANNUAL): 5016460000 PS A01
- 5. 本製品は錫めっき品です。  
THIS PRODUCT IS A TIN PLATING.
- 6. 極数/2 = 偶数に適応  
APPLY FOR CIRCUIT SIZE / 2 =EVEN
- 7. ターミナルに錫めっきを使用している為、外観に摺動痕が付く場合があります。  
THE WOUND OF FRICTION MIGHT ADHERE TO EXTERNALS  
BECAUSE THE TIN PLATING IS USED FOR TERMINAL.
- 8. 梱包仕様書: SPK-501645-001  
PACKING INFORMATION : SPK-501645-001
- 9. 発注番号 : SHEET 3 参照  
ORDER No. : PLEASE REFER TO SHEET 3 FOR PRODUCT LIST

501645 \*\*2\*

極数 CIRCUIT SIZE	ハウジングカラー HOUSING COLOR
	0:ナチュラル NATURAL
	1:黒 BLACK
	2:赤 RED
	4:青 BLUE
	6:緑 GREEN



嵌合状態図  
MATED CONNECTORS



基板取付穴推奨寸法(マウント面)

POLARIZED RECOMMENDED PCB LAYOUT HOLE DIMENSION (MOUNTING SIDE)

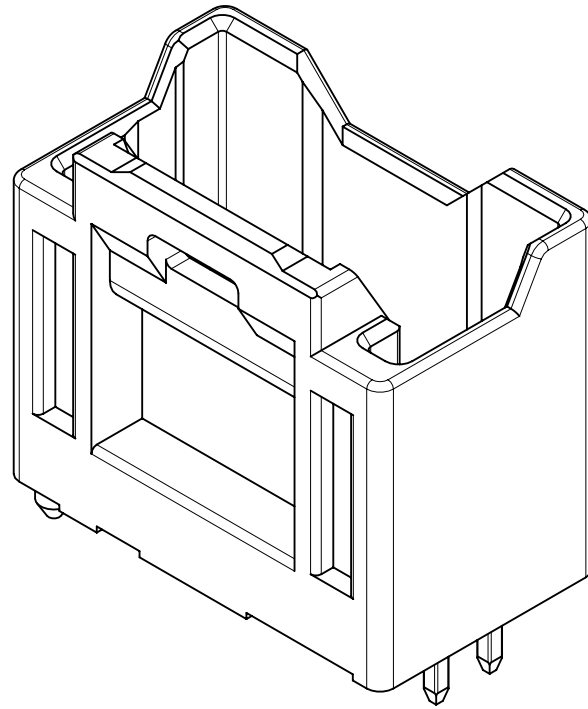
参考基板厚  $t=1.2\sim 1.6$

REFERENCE PCB THICKNESS  $t=1.2\sim 1.6$

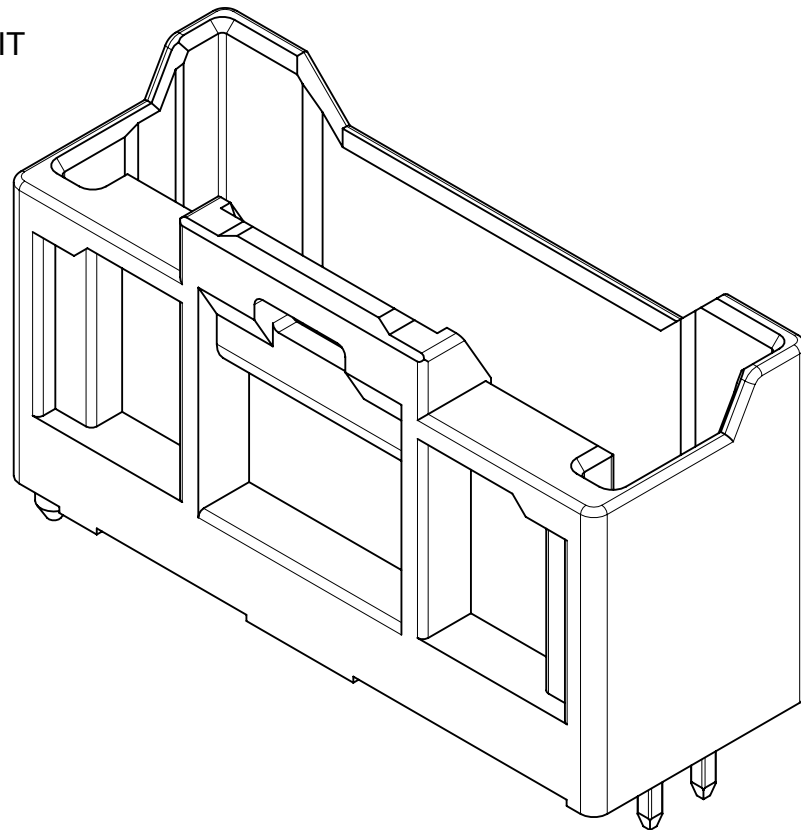
THIS DRAWING CONTAINS INFORMATION THAT IS PROPRIETARY TO MOLEX ELECTRONIC TECHNOLOGIES, LLC AND SHOULD NOT BE USED WITHOUT WRITTEN PERMISSION		CURRENT REV DESC:		<b>molex</b>	
DIMENSION UNITS mm	SCALE NTS				
GENERAL TOLERANCES (UNLESS SPECIFIED)		EC NO: 711900		IGRID 2.0 PLUG ASSEMBLY VERTICAL TIN PLATING	
ANGULAR TOL $\pm 3.0^\circ$		DRWN: SNAKAMURA08 2022/06/22		PRODUCT CUSTOMER DRAWING	
4 PLACES $\pm 0.2$		CHK'D: KOMURAKAMI 2022/07/20		DOCUMENT NUMBER	
3 PLACES $\pm 0.2$		APPR: SAKIYAMA 2022/07/20		5016450000-SD	
2 PLACES $\pm 0.2$		INITIAL REVISION:		DOC TYPE	
1 PLACE $\pm 0.2$		DRWN: SNAKAMURA08 2019/05/09		PSD	
0 PLACES $\pm 0.2$		APPR: KOMURAKAMI 2019/05/24		DOC PART	
DRAFT WHERE APPLICABLE MUST REMAIN WITHIN DIMENSIONS		THIRD ANGLE PROJECTION		000	
		DRAWING		REVISION	
		A3-SIZE		D	
		SERIES		SHEET NUMBER	
		501645		2 OF 3	
		MATERIAL NUMBER		CUSTOMER	
		SEE SHEET 3		GENERAL	

製品形状  
PRODUCT SHAPE

10, 12極  
10, 12CIRCUIT



14 - 40 極  
14 - 40 CIRCUIT



△ 製品一覧 PRODUCT LIST

緑: GREEN	青: BLUE	赤: RED	黒: BLACK	ナチュラル NATURAL	HOUSING COLOR
501645 4026	501645 4024	501645 4022	501645 4021	501645 4020	40
↑ 3826	↑ 3824	↑ 3822	↑ 3821	↑ 3820	38
3626	3624	3622	3621	3620	36
3426	3424	3422	3421	3420	34
3226	3224	3222	3221	3220	32
3026	3024	3022	3021	3020	30
2826	2824	2822	2821	2820	28
2626	2624	2622	2621	2620	26
2426	2424	2422	2421	2420	24
2226	2224	2222	2221	2220	22
2026	2024	2022	2021	2020	20
1826	1824	1822	1821	1820	18
1626	1624	1622	1621	1620	16
↓ 1426	↓ 1424	↓ 1422	↓ 1421	↓ 1420	14
1226	1224	1222	1221	1220	12
501645 1026	501645 1024	501645 1022	501645 1021	501645 1020	10
発注番号 ORDER No.					極数
PACKAGING STYLE : TRAY					CIRCUIT SIZE

THIS DRAWING CONTAINS INFORMATION THAT IS PROPRIETARY TO MOLEX ELECTRONIC TECHNOLOGIES, LLC AND SHOULD NOT BE USED WITHOUT WRITTEN PERMISSION

DIMENSION UNITS mm	SCALE NTS	CURRENT REV DESC:		<b>molex</b>		
GENERAL TOLERANCES (UNLESS SPECIFIED)		EC NO: 711900				
ANGULAR TOL ± 3.0°	4 PLACES ± 0.2	DRWN: SNAKAMURA08	2022/06/22	PRODUCT CUSTOMER DRAWING		
3 PLACES ± 0.2	2 PLACES ± 0.2	CHK'D: KOMURAKAMI	2022/07/20	DOCUMENT NUMBER		
2 PLACES ± 0.2	1 PLACE ± 0.2	APPR: SAKIYAMA	2022/07/20	5016450000-SD		
1 PLACE ± 0.2	0 PLACES ± 0.2	INITIAL REVISION:		DOC TYPE	DOC PART	REVISION
DRAFT WHERE APPLICABLE MUST REMAIN WITHIN DIMENSIONS		DRWN: SNAKAMURA08	2019/05/09	PSD	000	D
THIRD ANGLE PROJECTION		APPR: KOMURAKAMI	2019/05/24	SHEET NUMBER		
DRAWING		SERIES		3 OF 3		
A3-SIZE		501645		SEE CHART		
MATERIAL NUMBER		CUSTOMER		GENERAL		