

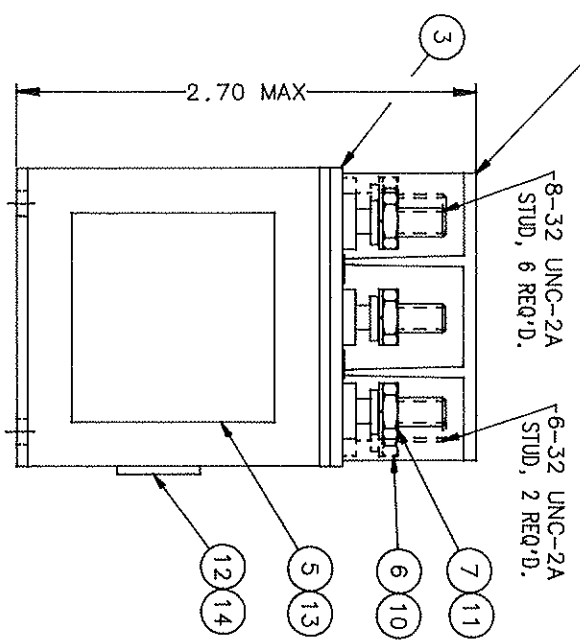
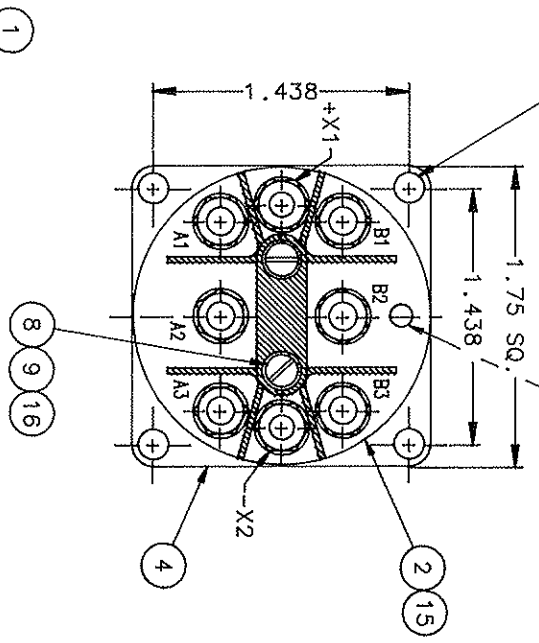
FAA/PMA

REV.	DESCRIPTION	DATE	APPROVED
J	24150 ITEM 2 WAS 16043-001	93/8/28	
K	26163 ITEM 16 ADDED, BALLONS RELOCATED	94/6/22	

D-14DB

REV. K

1.171 HOLE
4 MTG. HOLES
RIVET INDICATES ORIENTATION
OF TERMINALS.

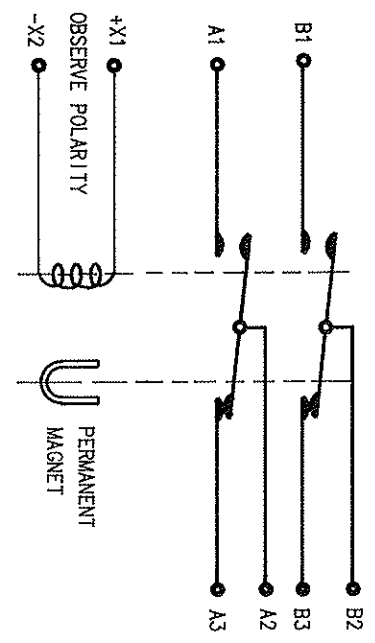


CONSTRUCTION
METALIC BASE
SOLDER SEALED

MAIN CONTACTS
2 PDT SIDESTABLE
VOLTAGE (NOM.)
115 OR 26 VAC 400 HZ
CURRENT (RES.)
25 AMP

COIL DATA
DUTY CYCLE
CONTINUOUS
NOM. COIL VOLTAGE
28 VDC
PICKUP MAX.
18 VDC MAX. HOT
DROPOUT VOLTAGE
7 VDC MAX

ENVIRONMENTAL DATA
AMBIENT TEMP.
-55°C TO +71°C
LIFE ELECTRICAL
50,000 CYCLES MIN.
LIFE MECHANICAL
100,000 CYCLES MIN.
WEIGHT MAX
8 OZ.
ALTITUDE
40,000 FT.



QTY	PART OR IDENTIFYING NO	NONE/LANTURE OR DESCRIPTION	FSCM NO	DRAWING OR SPECIFICATION	MATERIAL OR NOTE
16	2	51701-180 WASHER, 3/16 X .130 X .015			MYLAR
15	1	39529-023 OVERLAY			
14	1	39529-047 OVERLAY			
13	1	39529-001 OVERLAY			
12	1	58400-071 PLATE-FAA/PMA			
11	6	51808-034 WASHER-LOCK NO. 8 SPLIT			BRONZE
10	2	51806-014 WASHER-LOCK NO. 6 SPLIT			BRONZE
9	2	51805-021 WASHER-LOCK NO. 5 INT.			BRONZE
8	2	51205-291 SCREW 5-40 X 5/8 RD. HD.			BRASS
7	6	50408-014 NUT 8-32 X 1/4 X 5/64 HEX			BRASS
6	2	50406-034 NUT 6-32 X 1/4 X 5/64 HEX			BRASS
5	1	18943-001 PLATE-WIRING DIAGRAM			
4	1	39611-010 RELAY ASSEMBLY-PRIMARY			
3	1	16728-009 PLATE-BASE COVER			
2	1	16043-046 PLATE-NAME			
1	1	39676-001 SHIELD-TERMINAL			

UNLESS OTHERWISE SPECIFIED DIMENSIONS ARE IN INCHES TOLERANCES IN PARENTS ARE IN INCHES

2 PL. DEG. 13 PL. DEG. ANGLES

* .06 * .010 * 1*

DR BY: FDW 1 94/6/24
CHK BY: PLS 94/6/27
ENGR: WJ 94/6/27
MFG: WJ 94/6/27
RELEASE: WJ 94/6/27
CONTR. NO.:
GOVT. APPROV.:
SCALE: NONE SHEET: 093

HARTMAN ELECTRICAL MANUFACTURING
MANSFIELD, OHIO

RELAY-2PDT

CODE IDENT DWG NO. D-14DB