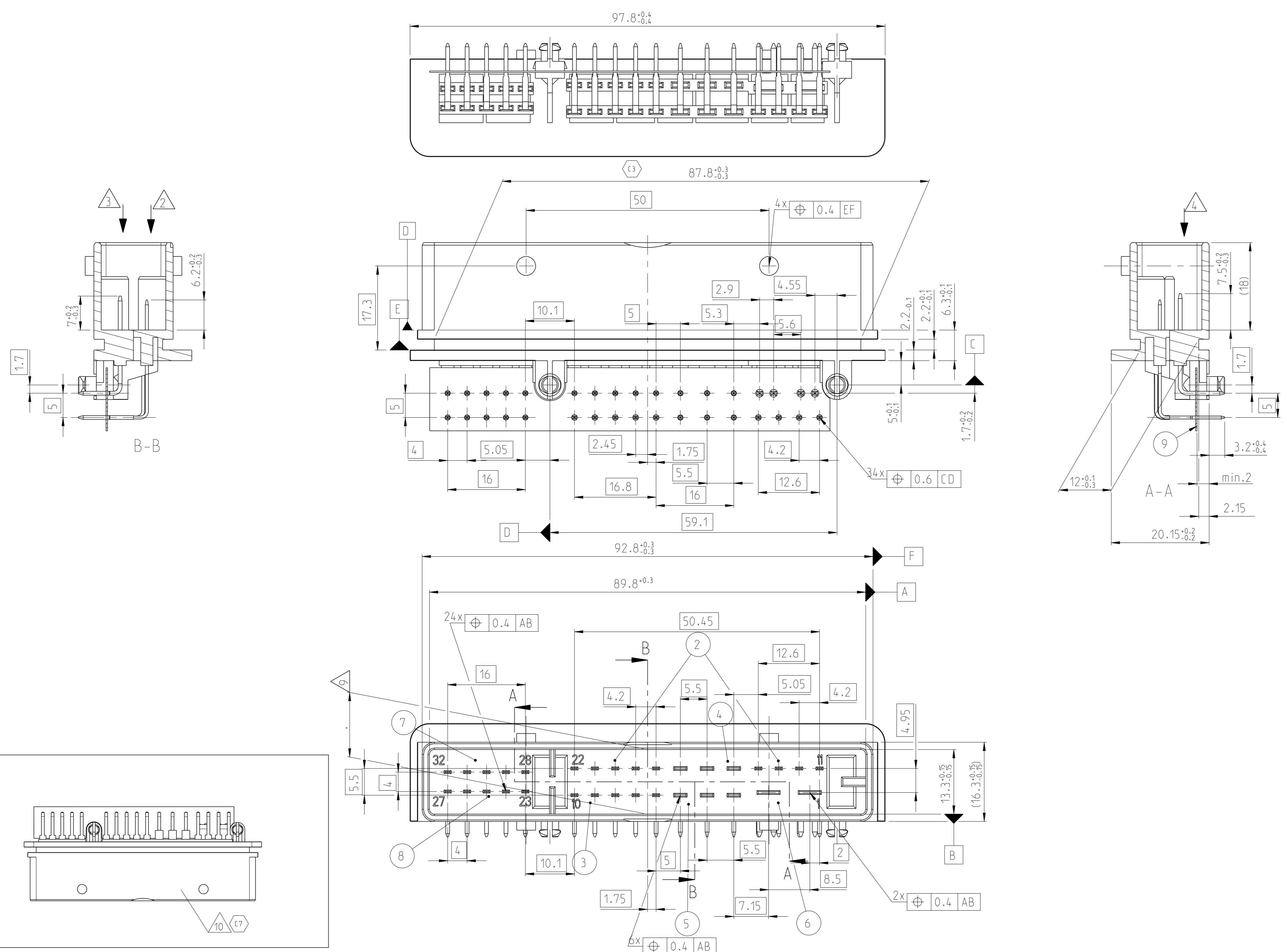
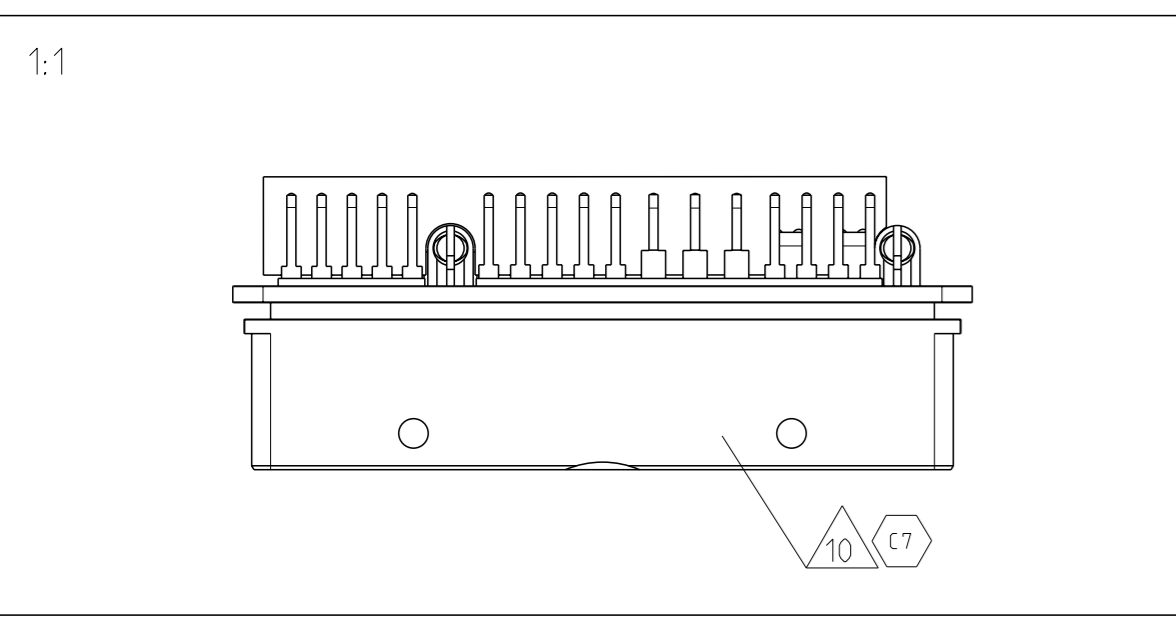
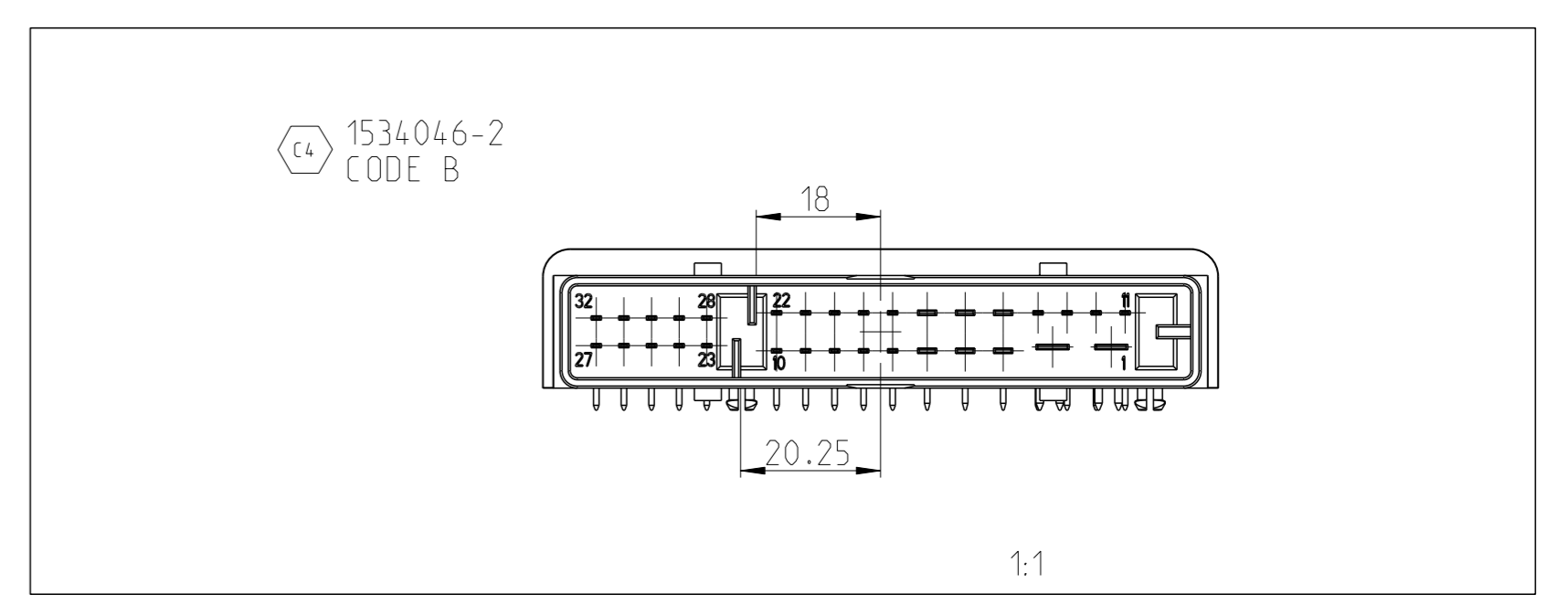


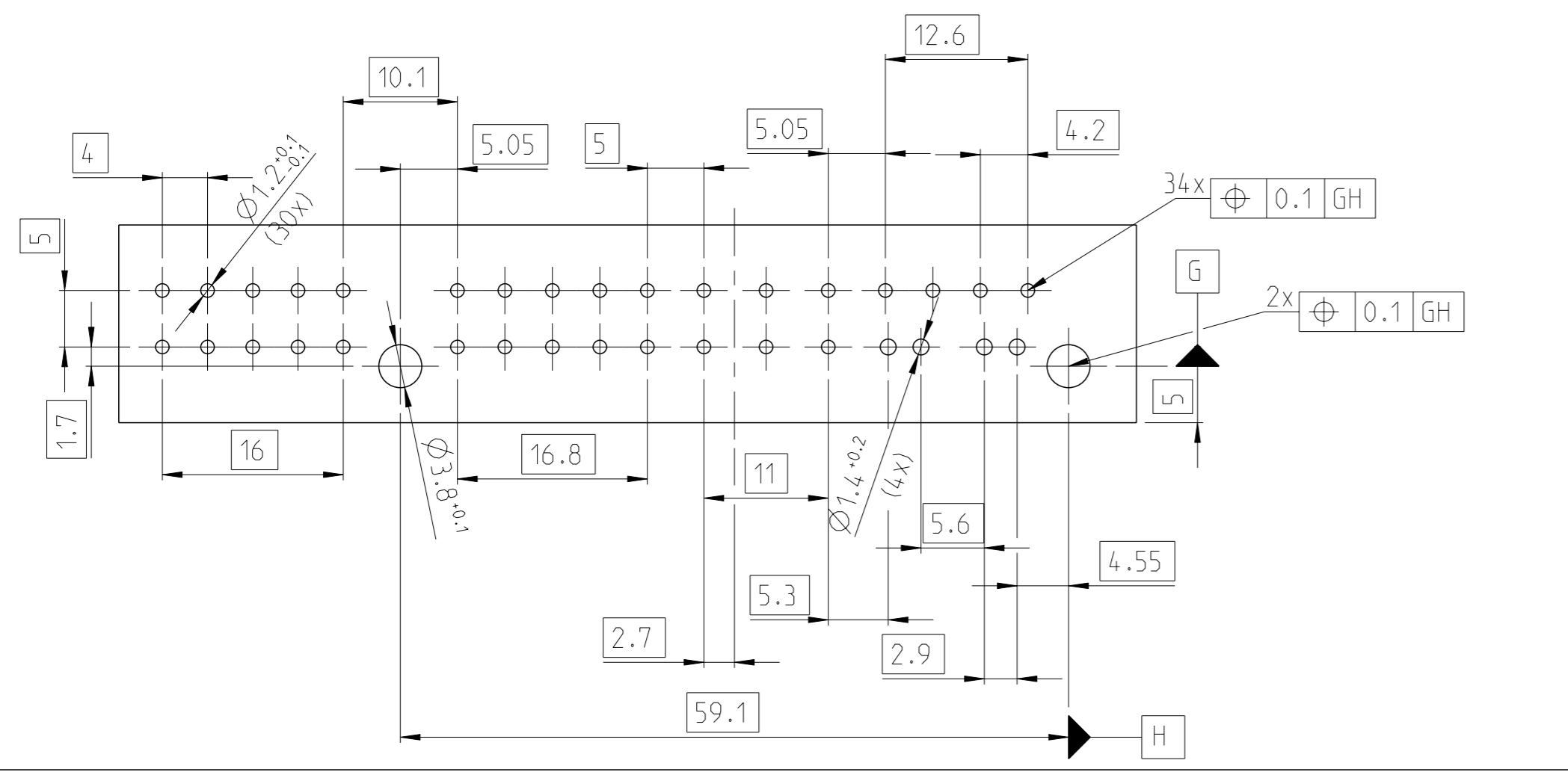
LOC	DIST	REV.	CL	REV. DESCRIPTION	DATE	DWN	APVD
FM	-	1	CL4	New version added (...-2 . code B)	29 JUL 2011	GB	SzG
		2	CL5	Change the color of hsg. code B to white	03 JAN 2012	GB	SzG
		3	CL6	Correct the packaging information	05 FEB 2014	GB	SzG
		4	CL7	Add TE Connectivity manufact.loc.mark	16 DEC 2014	GB	SzG



- Bemerkungen
NOTES
- 1 Passender Buchsenstecker: 32pol. DRAWING-NO.: 1534053
SUITABLE RECEPTACLE HOUSING: 32POL.
 - 2 Haltekraft der Flachkontakte 1.5 (Pos. 2,3,7,8) bei axialer Beanspruchung
RESISTANT FORCE OF THE TAB 1.5 (POS. 2,3,7,8) AGAINST AXIAL CONDITIONING min. 55N
 - 3 Haltekraft der Flachkontakte 2.8 (Pos. 4,5) bei axialer Beanspruchung
RESISTANT FORCE OF THE TAB 2.8 (POS. 4,5) AGAINST AXIAL CONDITIONING min. 80N
 - 4 Haltekraft der Flachkontakte 4.8 (Pos. 6) bei axialer Beanspruchung
RESISTANT FORCE OF THE TAB 4.8 (POS. 6) AGAINST AXIAL CONDITIONING min. 120N
 - 5 Verpackung gemäß TE Verpackungsanweisung V1534046
PACKAGING: ACCORDING TO TE PACKAGING INSTRUCTION V1534046
 - 6 Stecklehre fuer Messerleiste: Nr. MATING GAUGE FOR MATING SIDE: NO.
 - 7 Positionstoleranzen gelten fuer die Flachsteckerspitzen
POSITION TOLERANCES APPLY TO THE TAB-POINTS
 - 8 Loetbarkeit nach IEC 68. T2-20
SOLDERABILITY PER IEC 68. T2-20
 - 9 Formbedingter Verzug +0.2zul. -0.6
WAREPAGE +0.2 PERMITTED -0.6
 - 10 TE Connectivity Bestell-Nr. und Markierung des Produktionsstandortes
TE Connectivity ORDER-NO. AND MANUFACTURING LOCATION MARK



Empfohlenes Leiterplattenbohrbild:
PRINTED PCB LAYOUT:



ASSY NO. Bestell-Nr.	REV.	COD.	REV.	DESCRIPTION Benennung	COLOR SURFACE Farbe Oberflaeche	QTY.	ITEM NO			
1534046-2	A	B	A	CENTERPLATE	WHITE	1	9			
			A	TAB 1.5X0.6	TIN PLATED	5	8			
			A	TAB 1.5X0.6	TIN PLATED	5	7			
			A	TAB 4.8X0.8	TIN PLATED	2	6			
			A	TAB 2.8X0.8	TIN PLATED	3	5			
			A	TAB 2.8X0.8	TIN PLATED	3	4			
			A	TAB 1.5X0.6	TIN PLATED	5	3			
			A	TAB 1.5X0.6	TIN PLATED	9	2			
			A	PIN HEADER Code B	WHITE	1	1			
			1534046-1	C	A	A	CENTERPLATE	WHITE	1	9
						A	TAB 1.5X0.6	TIN PLATED	5	8
						A	TAB 1.5X0.6	TIN PLATED	5	7
A	TAB 4.8X0.8	TIN PLATED				2	6			
A	TAB 2.8X0.8	TIN PLATED				3	5			
A	TAB 2.8X0.8	TIN PLATED				3	4			
A	TAB 1.5X0.6	TIN PLATED				5	3			
A	TAB 1.5X0.6	TIN PLATED				9	2			
			C	PIN HEADER code A	BLACK	1	1			

TOLERANCES UNLESS OTHERWISE SPECIFIED ACC. TO DIN 16901-140©ENTRIC TO NOMINAL DIMENSION. EDITION 1982-11. SHALL APPLY.
 FREISSPALTEN TOLERANZEN NACH DIN 16901-140©D. ES GILT DIE AUSGABE 1982-11.

THIS DRAWING IS A CONTROLLED DOCUMENT. DWN: R. Dierkes 26NOV2007
 CHECKED: B. Leonhardt 26NOV2007

THIS DRAWING IS A CONTROLLED DOCUMENT. DWN: R. Dierkes 26NOV2007
 CHECKED: B. Leonhardt 26NOV2007

TE Connectivity
 TAB HEADER, ASSY. 32 POSN.
 Flachsteckerleiste. ZSB. 32pol.

SCALE 2:1
 SHEET 1 OF 1
 REV: C7

