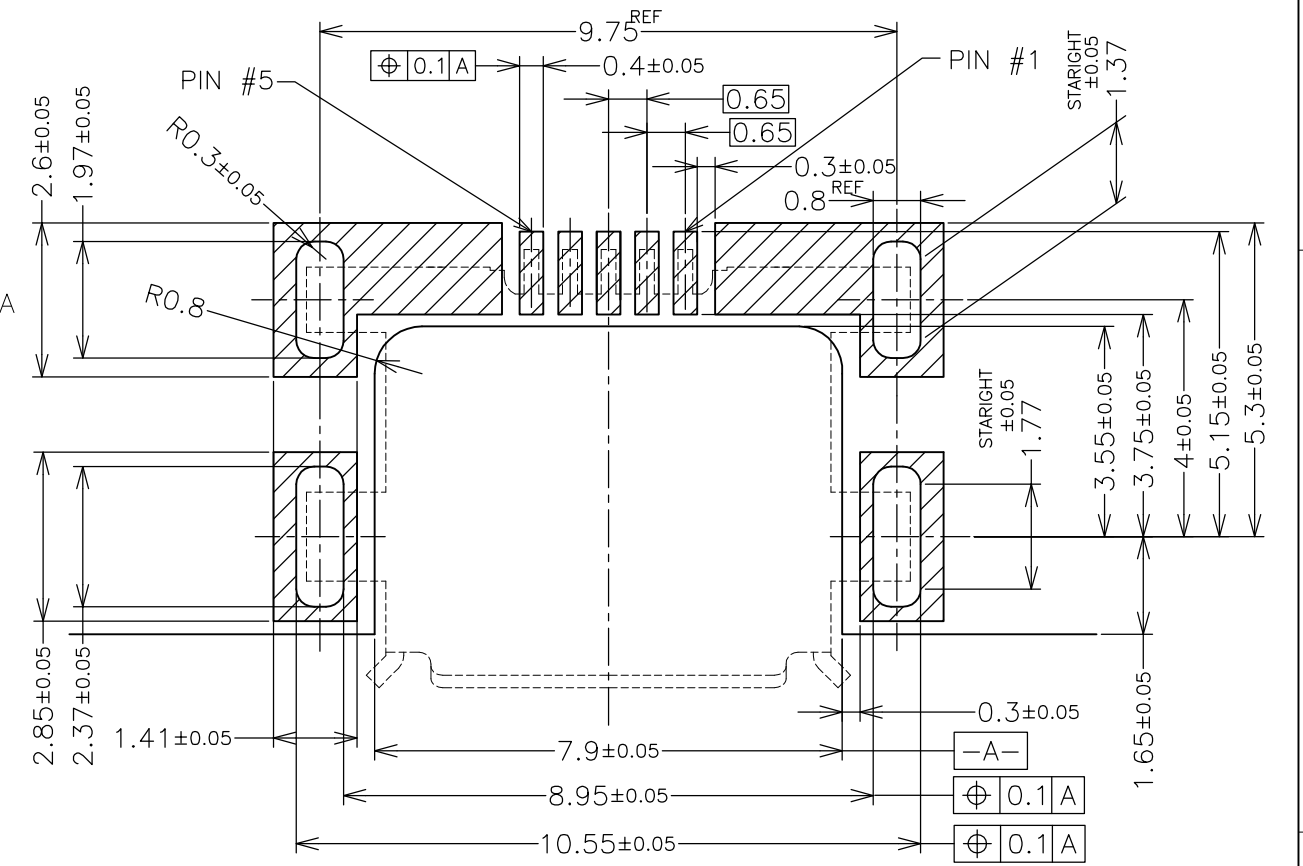
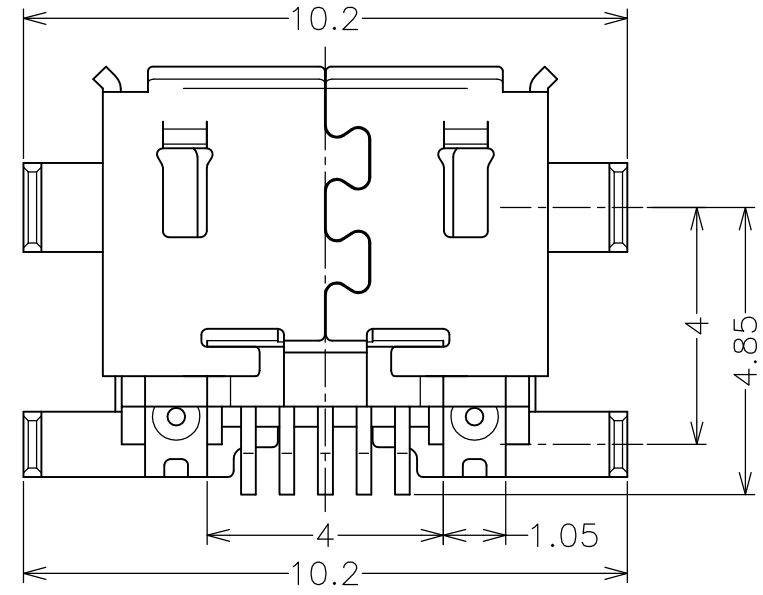
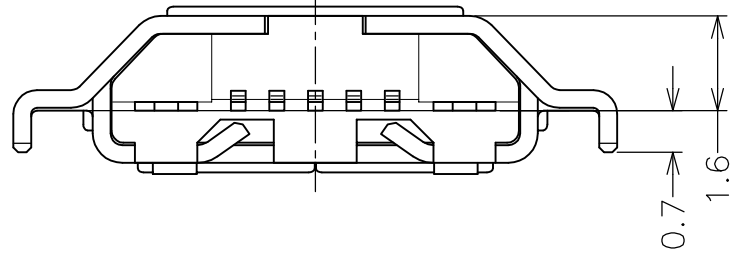
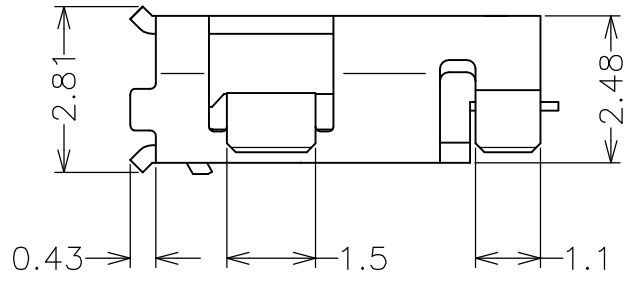
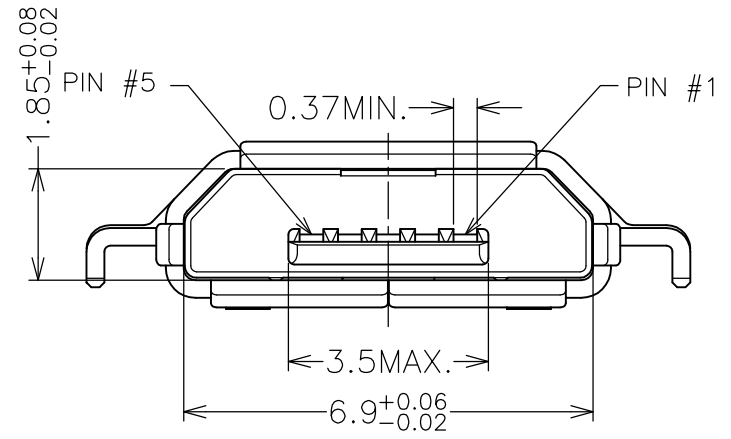
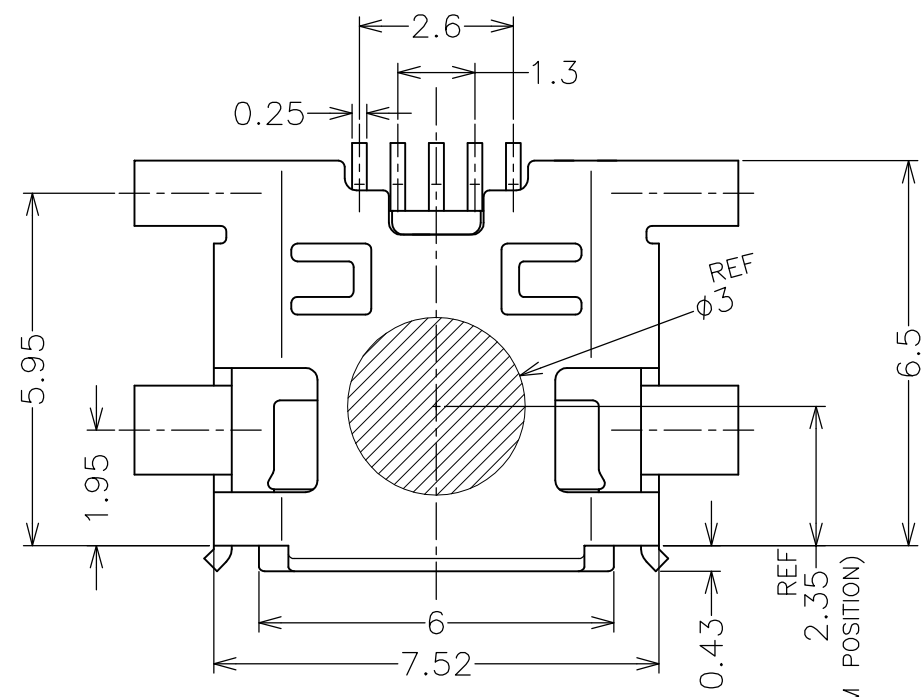


LOC	DIST	REVISIONS			
P	LTR	DESCRIPTION	DATE	DWN	APVD
ES	00	B	RELEASED PER ECR-11-023984	22DEC10	T.Q S.Y

- 1 GENERAL TOLERANCE : ±0.3
- 2 CONTACT TINE COPLANALITY ; 0.08mmMAX
- 3 MATERIAL
 HOUSING: THERMO-PLASTICS,UL94V-0
 CONTACT: COPPER ALLOY
 SHELL: COPPER ALLOY
- 4 FINISH
 CONTACT ; Ni UNDER PLATING ALL OVER
 Au PLATING ON SOLDERING AREA
 Au PLATING ON CONTACT AREA
 SHELL ; Ni UNDER PLATING ALL OVER
 Sn PLATING ALL OVER
- 5 PREVENTION OF WRENCHING
 PLEASE SET THE CASE TO TOP SIDE AND
 BOTTOM SIDE OF CONNECTOR.



RECOMMENDED PATTERN LAYOUT

THIS DRAWING IS A CONTROLLED DOCUMENT.		DWN	Tommy Qian	22DEC2010	Tyco Electronics Corporation Shanghai, P.R.China 200233
DIMENSIONS: mm		CHK	Martin Li	22DEC2010	
TOLERANCES UNLESS OTHERWISE SPECIFIED:		APVD	Steven Yao	22DEC2010	
0 PLC ± 0.3 1 PLC ± 0.3 2 PLC ± 0.3 3 PLC ± 0.3 4 PLC ± 0.3 ANGLES ± 3°		PRODUCT SPEC 108-78434		NAME MICRO USB CONNECTOR MID-MOUNT DIP REVERSE TYPE	
MATERIAL		FINISH		APPLICATION SPEC WEIGHT A300779 C-1554266	RESTRICTED TO —
CUSTOMER DRAWING				SCALE	8:1
				SHEET	1 of 2
				REV	B

4

3

2

1

THIS DRAWING IS UNPUBLISHED.

RELEASED FOR PUBLICATION

LOC

DIST

REVISIONS

© COPYRIGHT BY TYCO ELECTRONICS CORPORATION. ALL RIGHTS RESERVED.

ES

00

P

LTR

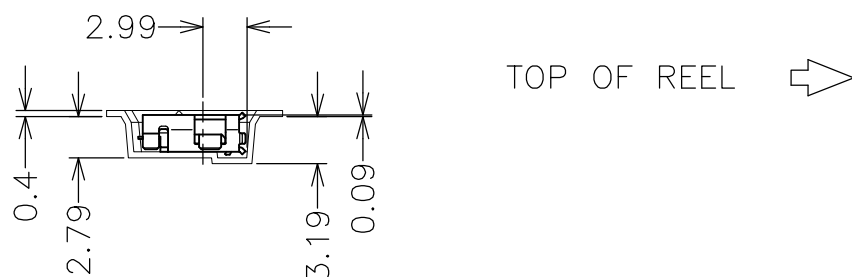
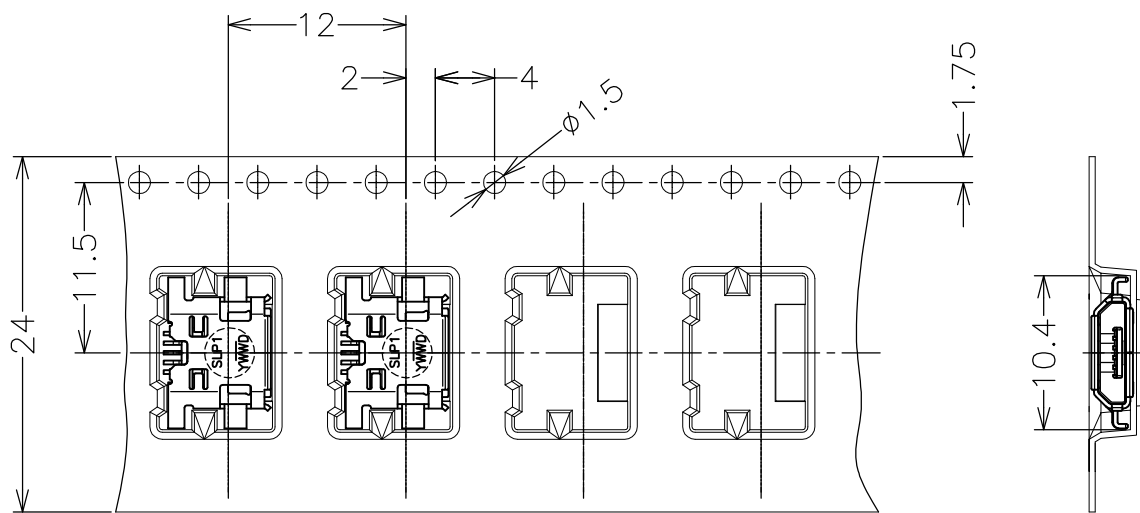
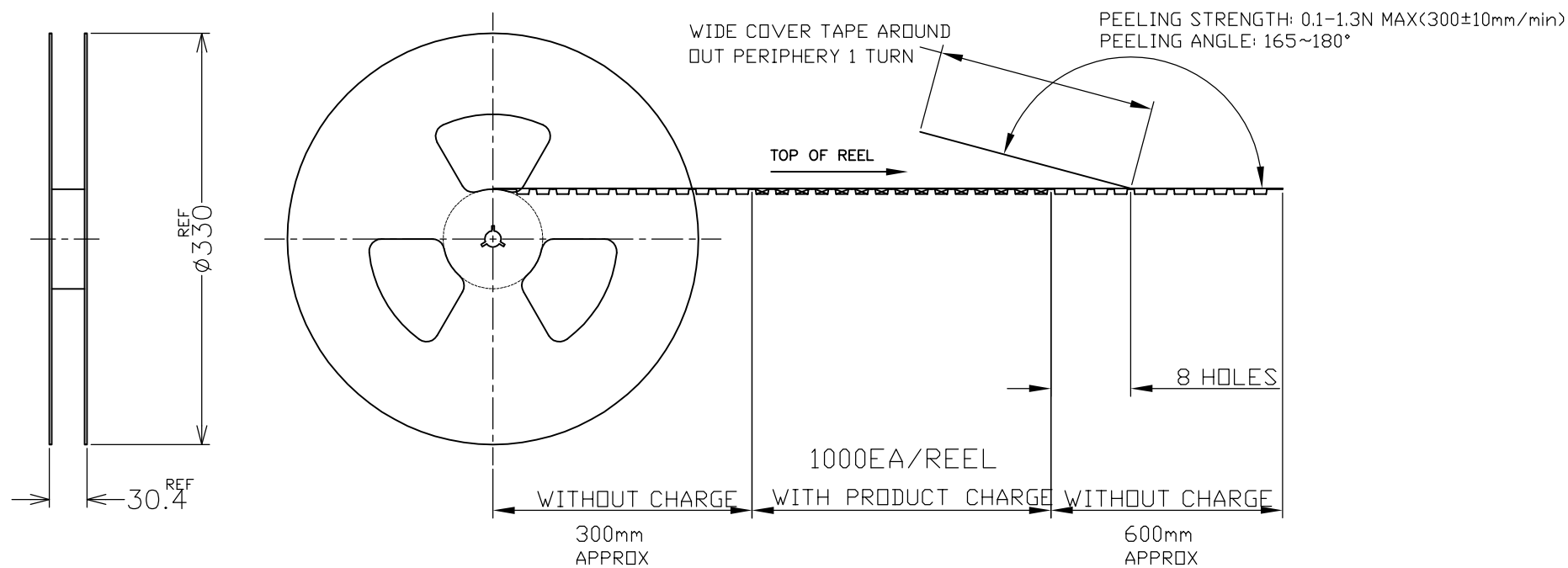
DESCRIPTION

DATE

DWN

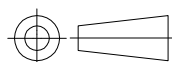
APVD

SEE SHEET 1



THIS DRAWING IS A CONTROLLED DOCUMENT.

DIMENSIONS:
mm



MATERIAL

TOLERANCES UNLESS OTHERWISE SPECIFIED:

- 0 PLC ± -
- 1 PLC ± -
- 2 PLC ± -
- 3 PLC ± -
- 4 PLC ± -
- ANGLES ± -

FINISH

DWN

CHK

APVD

PRODUCT SPEC

APPLICATION SPEC

WEIGHT

CUSTOMER DRAWING



Tyco Electronics Corporation
Shanghai, P.R.China 200233

NAME

MICRO USB CONNECTOR
MID-MOUNT DIP
REVERSE TYPE

SIZE

CAGE CODE

DRAWING NO

RESTRICTED TO

A3

00779

C-1554266

-

SCALE 8:1

SHEET 2 of 2

REV B