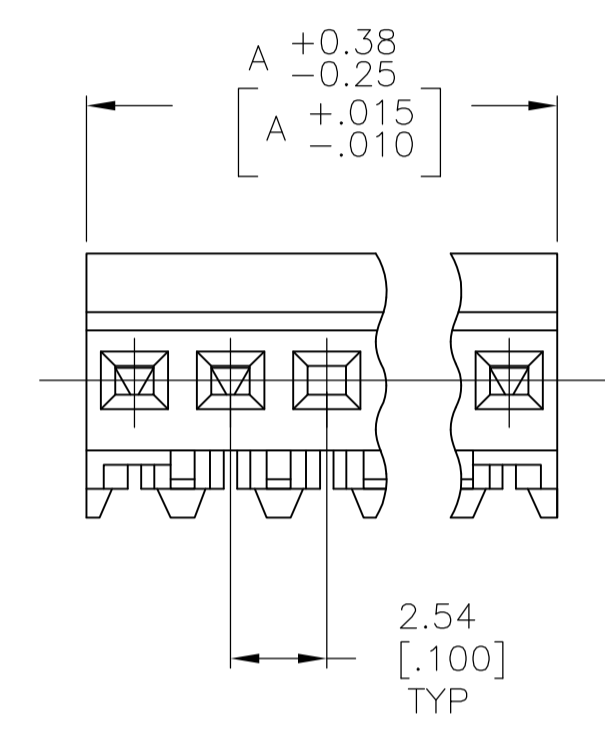
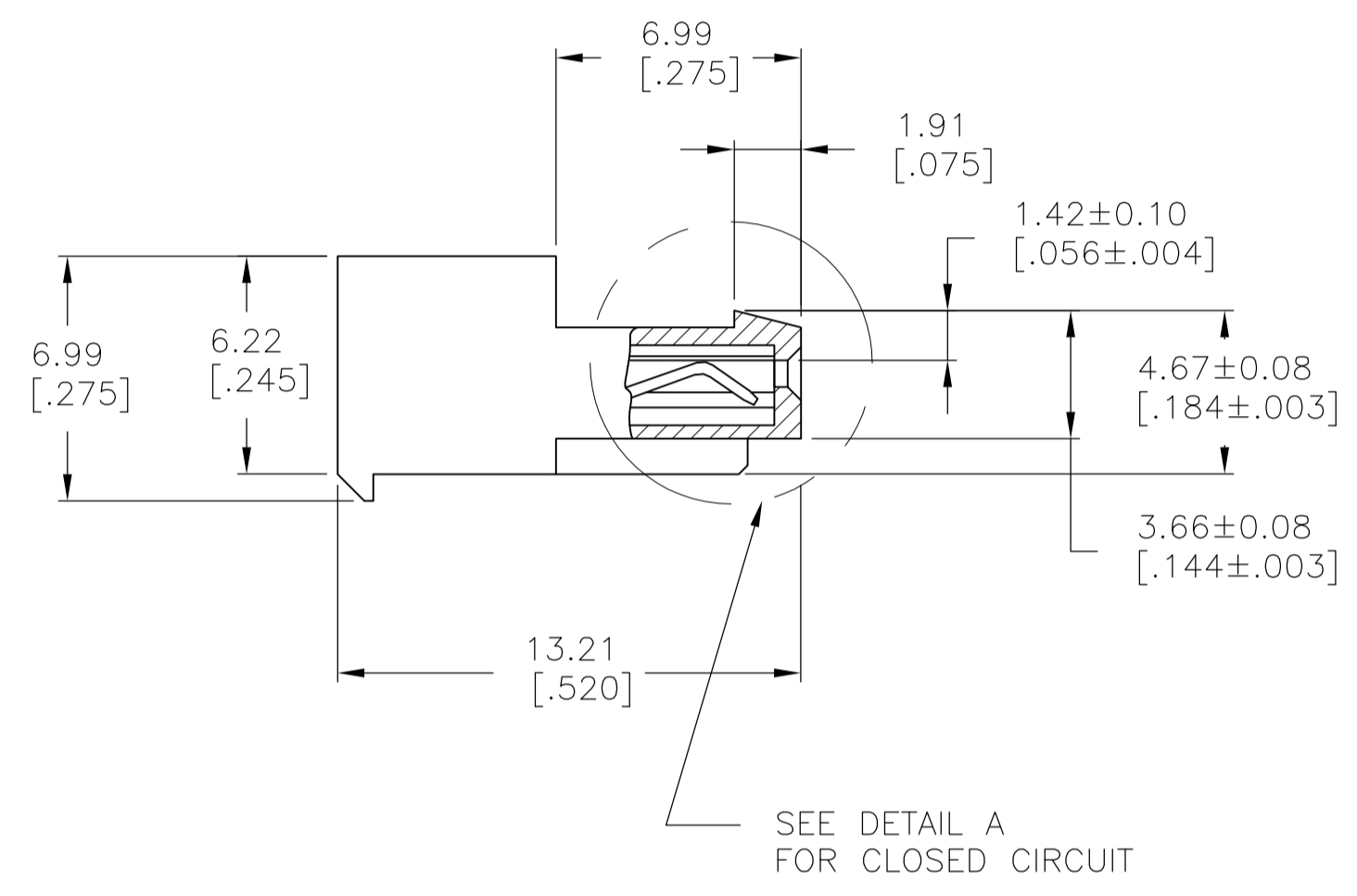
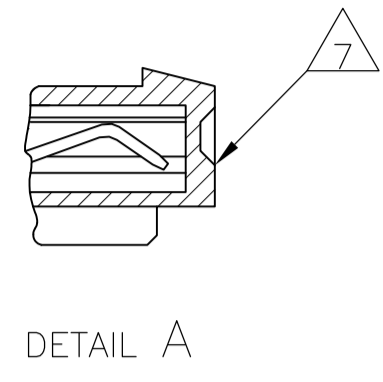
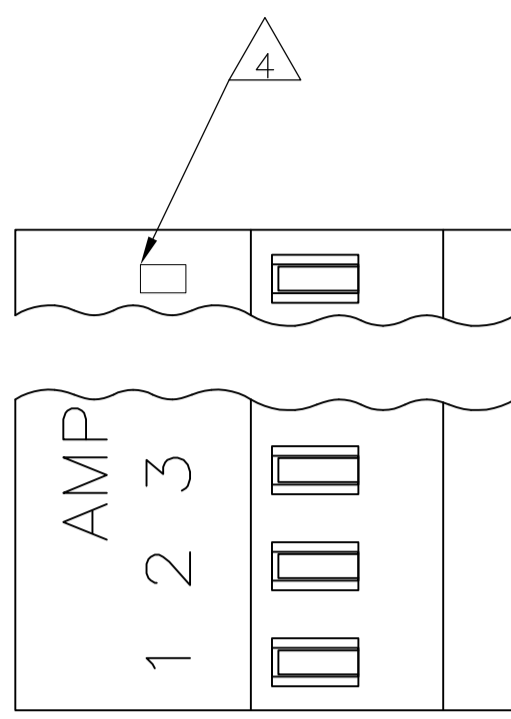


REVISIONS					
P	LTR	DESCRIPTION	DATE	DMN	APVD
T2		REVISED PER ECR-18-003423	29MAR2018	BDA	SG



1 MATERIAL: CONNECTOR - NYLON UL94V-2 (WHITE).
 CONTACTS - 0.30[.012] THICK COPPER ALLOY
 MATTE WHISKER MITIGATED TIN
 0.00203[.000080] MIN THICKNESS
 OVER NICKEL UNDERPLATE OR BRIGHT
 TIN-LEAD 93/7 0.00203[.000080] MIN
 THICKNESS. SEE FINISH COLUMN FOR
 PLATING TYPE.

2. CONTACTS ACCEPT 24 AWG WIRE WITH 1.52[.060] MAX
 INSULATION DIAMETER.

3. CONTACTS MUST ACCEPT 0.64±0.03 [.025±.001] SQUARE
 POST AND REMAIN LOCKED IN POSITION.

4 IDENTIFICATION NUMBER FOR LAST CIRCUIT MAY
 NOT APPEAR ON ALL ASSEMBLIES.

5. DIMENSIONS IN BRACKETS ARE IN INCHES.

6. HOUSING FEATURES ARE: CLOSED END WITH LOCKING
 RAMP.

7 DETAIL A SHOWS CIRCUIT NO.3 MOLDED CLOSED.

8 OBSOLETE PARTS: OBSOLETE CIS STREAMLINING PER D.RENAUD/D.SINISI

9 OBSOLETE PARTS

FINISH	DIM A	NO OF CIRCUITS	PART NO
TIN	12.70 [.500]	5	3-641818-5
	10.16 [.400]	4	3-641818-4
TIN-LEAD	12.70 [.500]	5	641818-5
	10.16 [.400]	4	641818-4

8 SUPERSEDED
 9 SUPERSEDED

THIS DRAWING IS A CONTROLLED DOCUMENT.

DIMENSIONS: mm [INCHES]	TOLERANCES UNLESS OTHERWISE SPECIFIED: 0. PLC ± - 1. PLC ± - 2. PLC ± - 3. PLC ± .13 [.005] 4. PLC ± - ANGLES ± -	DIN B LEWIS 22 APR 91 CHK R SWING 22 APR 91 APVD G MILLER 22 APR 91	NAME MTA-100 CONNECTOR ASSEMBLY, 24 AWG, NO.3 CIRCUIT CLOSED, SPECIAL
MATERIAL 1	FINISH 1	SIZE A1 CAGE CODE 00779 DRAWING NO. 641818	RESTRICTED TO CUSTOMER DRAWING

SCALE 5:1 SHEET 1 OF 1 REV T2