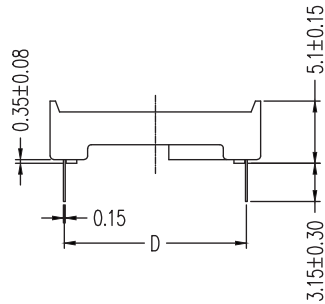
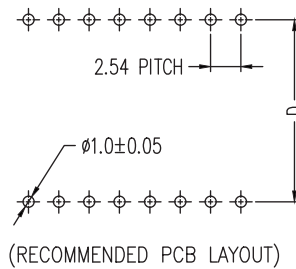
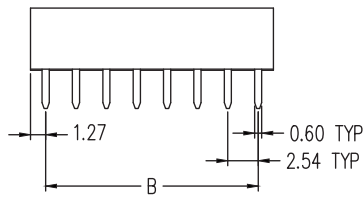
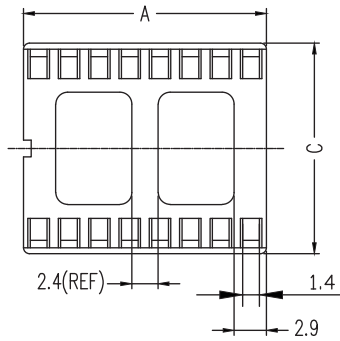
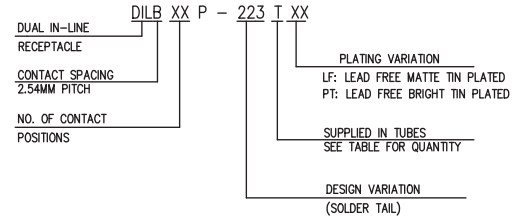


CATALOG NO	NO.OF CONTACTS	TABLE OF DIMENSIONS			
		A±0.30	B±0.25	C±0.30	D±0.20
DILB8P-223TXX	8P	10.16	7.62	10.16	7.62
DILB14P-223TXX	14P	17.78	15.24		
DILB16P-223TXX	16P	20.32	17.78		
DILB18P-223TXX	18P	22.86	20.32		
DILB20P-223TXX	20P	25.40	22.86	17.78	15.24
DILB24P-224TXX	24P	30.48	27.94		
DILB24P-223TXX	24P	30.48	27.94		
DILB28P-223TXX	28P	35.56	33.02		
DILB32P-223TXX	32P	40.64	38.10		
DILB40P-223TXX	40P	50.80	48.26		
DILB42P-223TXX	42P	53.34	50.80		



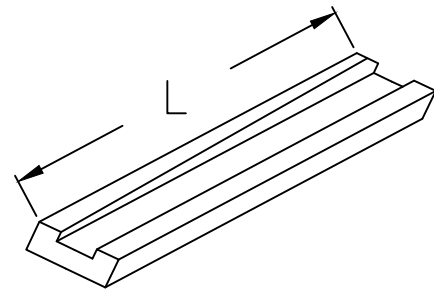
NOTES

- MATERIALS
HOUSING: POLYAMIDE, UL94V-0 COLOR IN BLACK.
CONTACT: COPPER ALLOY.
- FINISH
100u" MIN. MATTE OR BRIGHT TIN OVER 50u" MIN. NICKEL.
- PERFORMANCE CHARACTERISTICS
 - A) OPERATING VOLTAGE: 200VAC;
 - B) CONTACT RESISTANCE: 30 MILLIOHMS MAX. AT 6 VDC;
 - C) CURRENT RATING: 1 AMP. MAX.;
 - D) OPERING TEMPERATURE: CONTINUOUS, -55°C TO 105°C;
 - E) INSULATION RESISTANCE: 1000 MEGAOHMS MIN AT 500 VDC;
 - F) DIELECTRIC WITHSTANDING VOLTAGE: 1000 VAC RMS MIN.;
 - G) DURABILITY: NO ELECTRICAL DEGRADATION AFTER 25 CYCLES;
 - H) THERMAL SHOCK: NO PHYSICAL OR ELECTRICAL DEGRADATION PER MIN-STD-1344, METHOD 1003, COND A;
 - I) MOISTURE RESISTANCE: 300 MEGAOHMS MIN PER MIL-STD-202, METHOD 106. OMIT STEPS 7a AND 7b;
 - J) VIBRATION: NO ELECTRICAL INTERRUPTION GREATER THAN 1 MICROSECOND PER MIL-STD-1344. METHOD 2005 COND III;
 - K) MECHANICAL SHOCK: NO ELECTRICAL INTERRUPTION GREATER THAN 1 MICROSECOND WHEN 17.64 oz (500g)S APPLIED FOR 0.75 MILLISECONDS;
 - L) FLAMMABILITY: UL94 V-0;
 - M) INSERTION FORCE 340.2g /CONTACT MAX.;
 - WITHDRAWAL FORCE: 14.5g/CONTACT MIN.;
- ORDERING INFORMATION

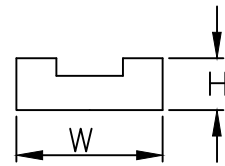


- DILBXXP-22XTLF: THE HOUSING WILL WITHSTAND EXPOSURE TO 260° PER PERK TEMPERATURE FOR 10 SECONDS IN A WAVE SOLDER APPLICATION.
- RECEPTACLE ACCEPTS 0.15 +/-0.03 mm THICK IC LEAD.

mat'l. code		surface ISO1302		tolerance ISO406 ISO1101		projection		product family	
ltr		ecn no		dr		date		title	
A		T05-0016		W.L		2005-01-24		EDGE CARD	
B		T06-0053		J.H		2006-03-28		DILB ASSEMBLY	
C		T06-0068		J.H		2006-07-07		scale 1:1	
D		ELX-I-24650		SAL		2016-08-03		dwg no sheet 1 of 2 size	
E		ELX-I-24704		SAL		2016-08-11		10052485 A4	
F		ELX-I-26235		J.J		2017-03-03		type Product-Customer Drw	
sheet index		revision sheet		F F		1 2			



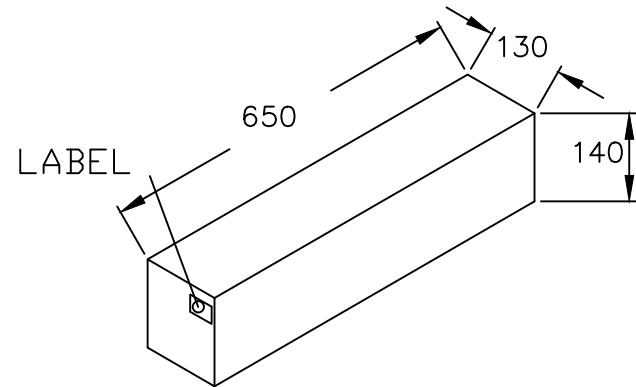
L	635	635
W	136	136
H	116	116



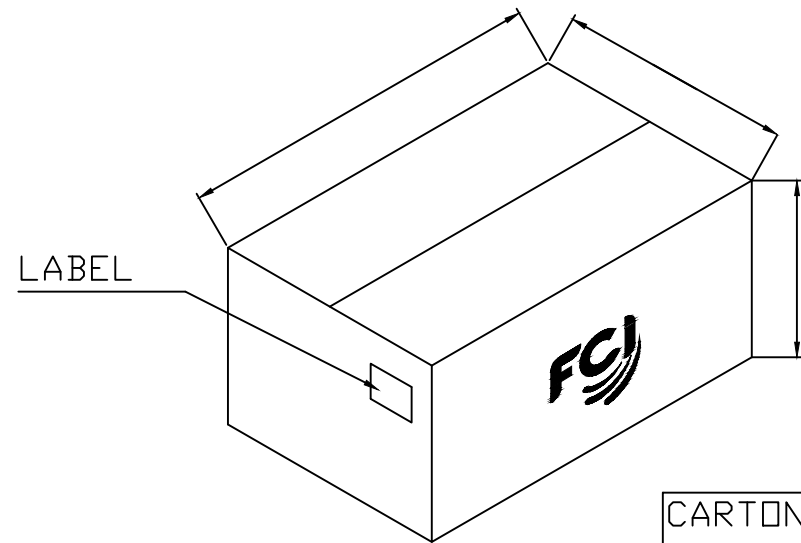
TUBE

DILB PACKING LIST FOR TUBE

Part Number	Part	Length	Width	Height	Quantity	Total
DILB8P-223TXX	8P	60	100	6000	3	18000
DILB14P-223TXX	14P	34	100	3400	3	10200
DILB16P-223TXX	16P	30	100	3000	3	9000
DILB18P-223TXX	18P	26	100	2600	3	7800
DILB20P-223TXX	20P	24	100	2400	3	7200
DILB24P-224TXX	24P	20	100	2000	3	6000
DILB24P-223TXX	24P	20	60	1200	3	3600
DILB28P-223TXX	28P	17	60	1020	3	3060
DILB32P-223TXX	32P	15	60	900	3	2700
DILB40P-223TXX	40P	12	60	720	3	2160
DILB42P-223TXX	42P	11	60	660	3	1980



BOX



CARTON

mat'l. code		surface ISO1302 <input checked="" type="checkbox"/> ISO406 ISO1101		tolerance ISO406 ISO1101		projection 		product family EDGE CARD	
ltr	ecn no	dr	date	tolerances unless otherwise specified		MM		title	
D	ELX-I-24650	SAL	2016-08-03	angles	.X ± 0.3	← MM →		DILB ASSEMBLY	
E	ELX-I-24704	SAL	2016-08-11	lineal	.XX ± 0.2	scale 1:1		dwg no	
F	ELX-I-26235	J.J	2017-03-03	0° ± 2'	.XXX ± 0.05			sheet 2 of 2	
		dr	WADE LIU	2005-01-05			size		5
		enr	WADE LIU	2005-01-05			10052485		A4
		chr	S. ALOSUS	2017-03-03			type		B
		appd	BUU K PAUL	2017-03-03			Product-Customer Drw		
sheet index	revision sheet	F	F						
	1	2							