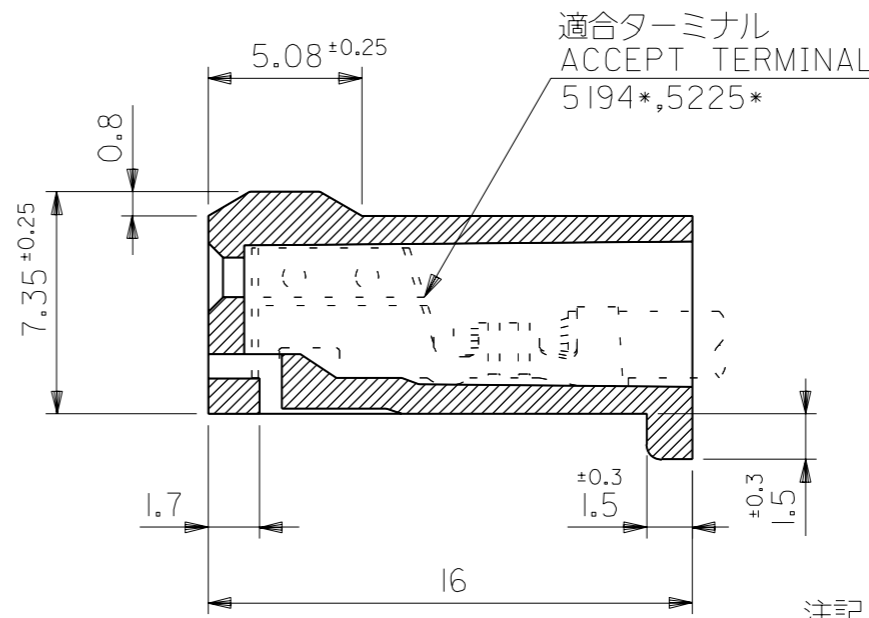
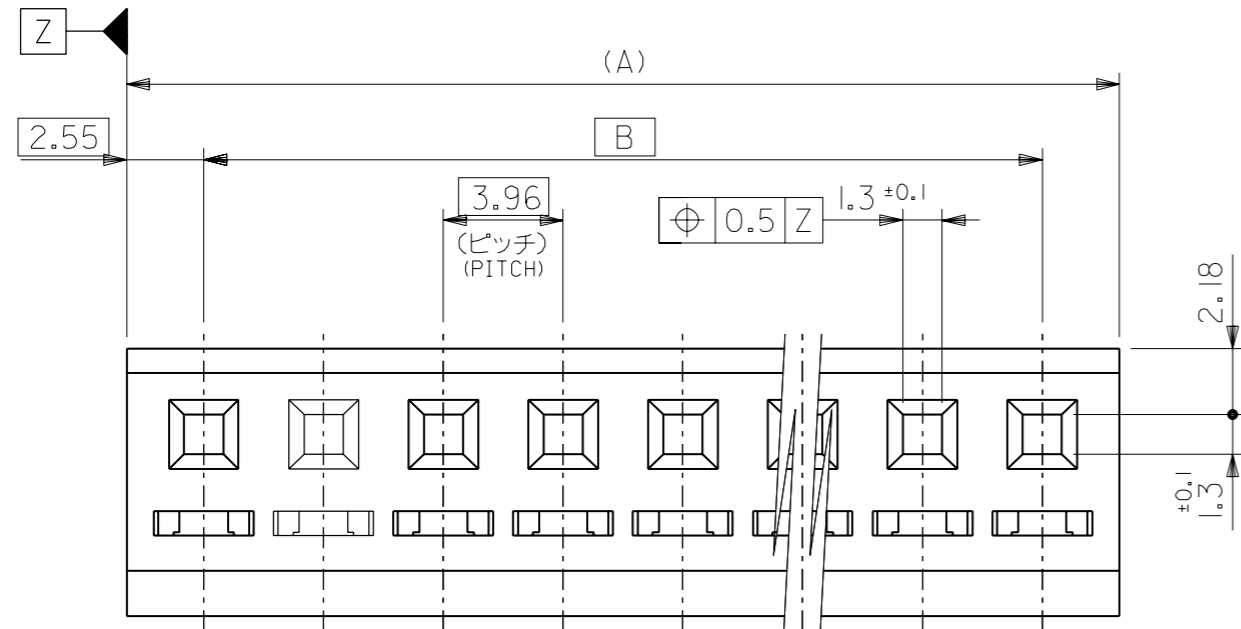
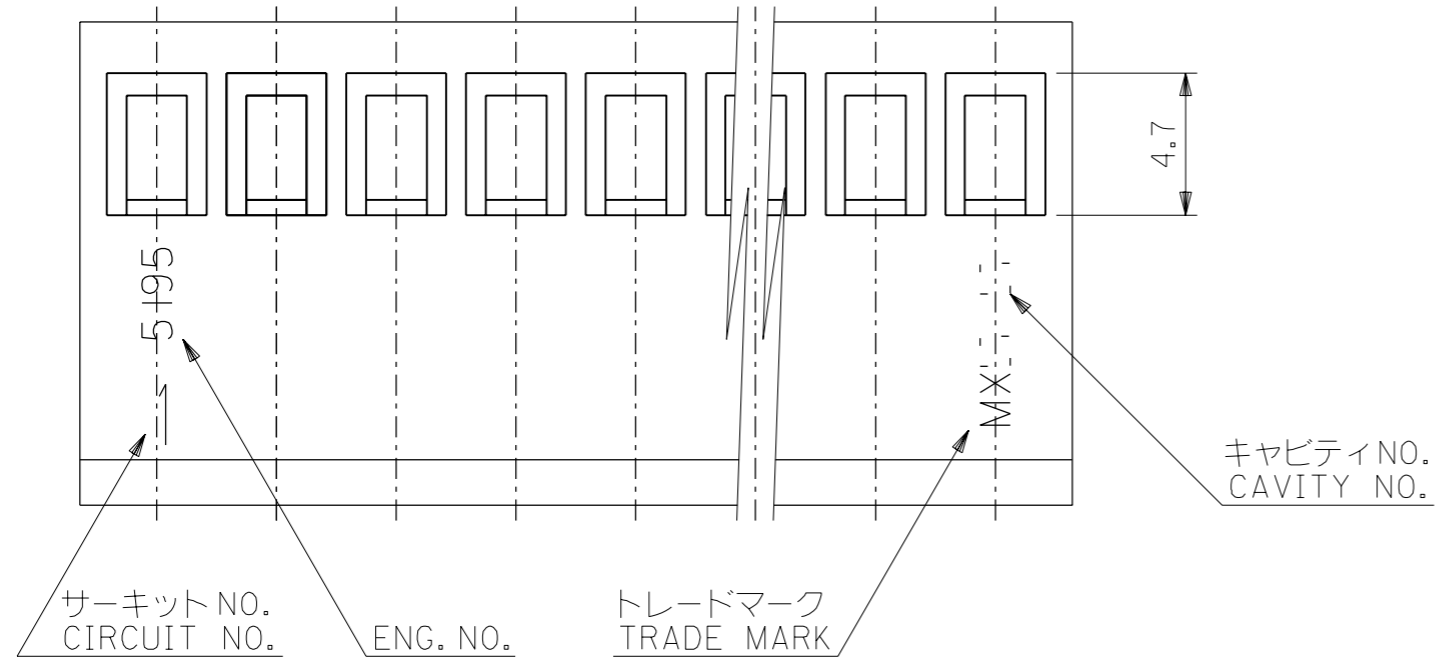


DWG. NO. SD-5195-N



注記 NOTES

1. 各部の反りは0.5最大。
CAMBER : 0.5 MAX.
2. サーキットNO.はNO."1"のみ表示。
CIRCUIT NO. : 1 ONLY.



| | | | | |
|-------|-------|------------|----------|--------------------|
| 43.56 | 48.66 | 09-50-1121 | 5195-12 | 12 |
| 39.6 | 44.7 | ▲ -1111 | ▲ -11 | 11 |
| 35.64 | 40.74 | -1101 | -10 | 10 |
| 31.68 | 36.78 | -1091 | -09 | 9 |
| 27.72 | 32.82 | -1081 | -08 | 8 |
| 23.76 | 28.86 | -1071 | -07 | 7 |
| 19.8 | 24.9 | -1061 | -06 | 6 |
| 15.84 | 20.94 | -1051 | -05 | 5 |
| 11.88 | 16.98 | -1041 | -04 | 4 |
| 7.92 | 13.02 | ▼ -1031 | ▼ -03 | 3 |
| 3.96 | 9.06 | 09-50-1021 | 5195-02 | 2 |
| B | A | EDP. NO. | ENG. NO. | 極数 NO. OF CKTS. |

DIMENSIONS IN METRIC DO NOT SCALE DRAWING

| | | | | | |
|-------------------------|-------|--------|--------------------------|--------------|----------|
| 角度 ANGLE | ±3° | | | | |
| 30以上 OVER | ±0.3 | | | | |
| 10以上 30未満 OVER UNDER | ±0.25 | | | | |
| 10未満 UNDER | ±0.2 | J | 再作図 REDRAWN (JC70319) | M.A. M.F. | 96/05/21 |
| 一般公差 GENERAL TOLERANCES | | 記号 LTR | 変更内容 REVISION RECORD | DR. / CHK. | 日付 DATE |

| | | |
|--------------------|--|-------|
| 材料 MATERIAL | ナイロン66, UL94V-2 色: オフホワイト NYLON66, UL94V-2 COLOR : OFFWHITE | |
| 仕上げ FINISH | — — — — | |
| 適用電線範囲 WIRE RANGE | — — — — | |
| 被覆外径 INS. RANGE | — — — — | |
| DRAWN BY '96/05/21 | CHK'D BY '96/05/21 | |
| M.ASAOKA | M.FUKUSHIMA | |
| APP'D BY '96/05/21 | 尺度 SCALE | 4 : 1 |
| M.ENOMOTO | | |

molex MOLEX-JAPAN CO.,LTD.
日本モレックス株式会社

REVISE ONLY ON CAD SYSTEM

TITLE 名称
SPOX 3.96 PITCH
RECEPTACLE HOUSING

DWG. NO. SD-5195-N

REV H