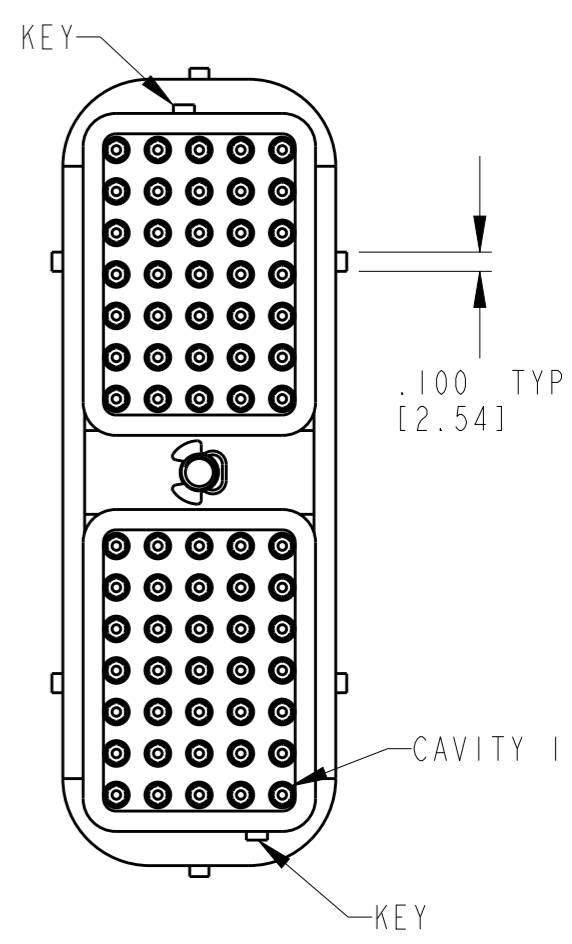
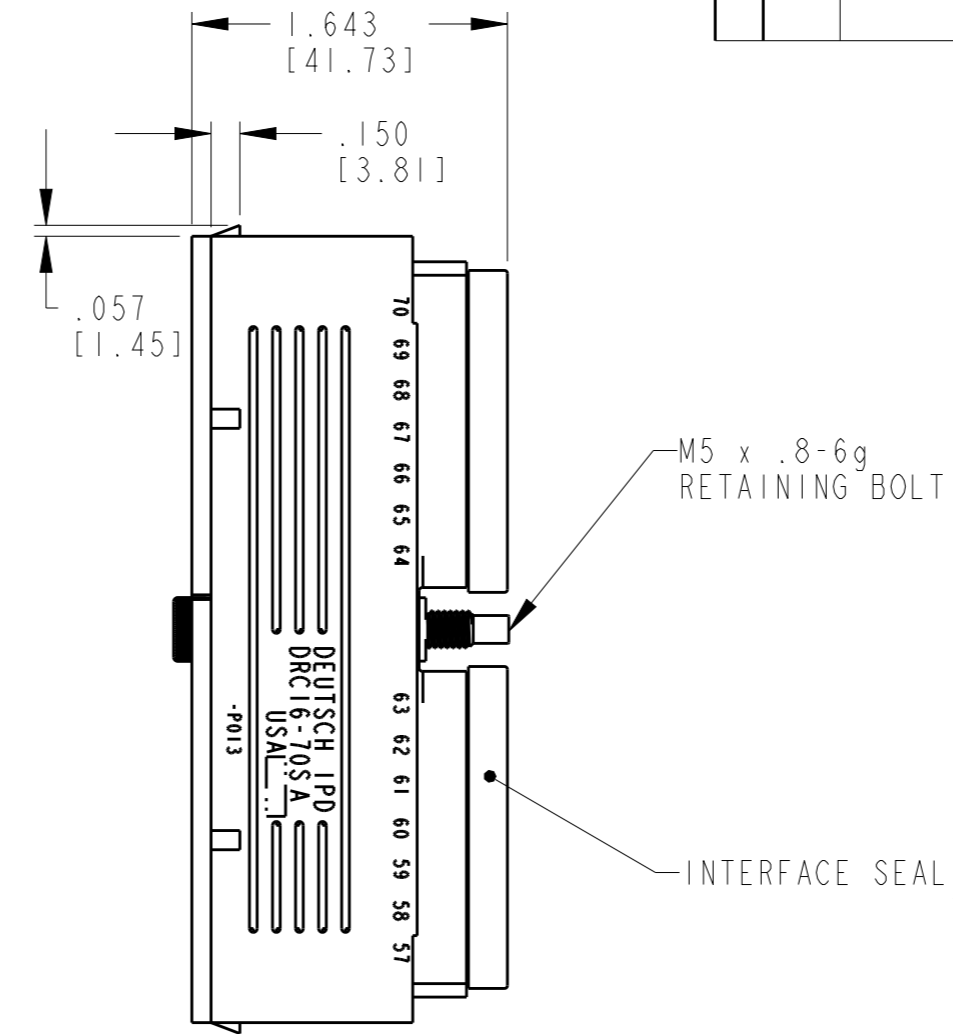
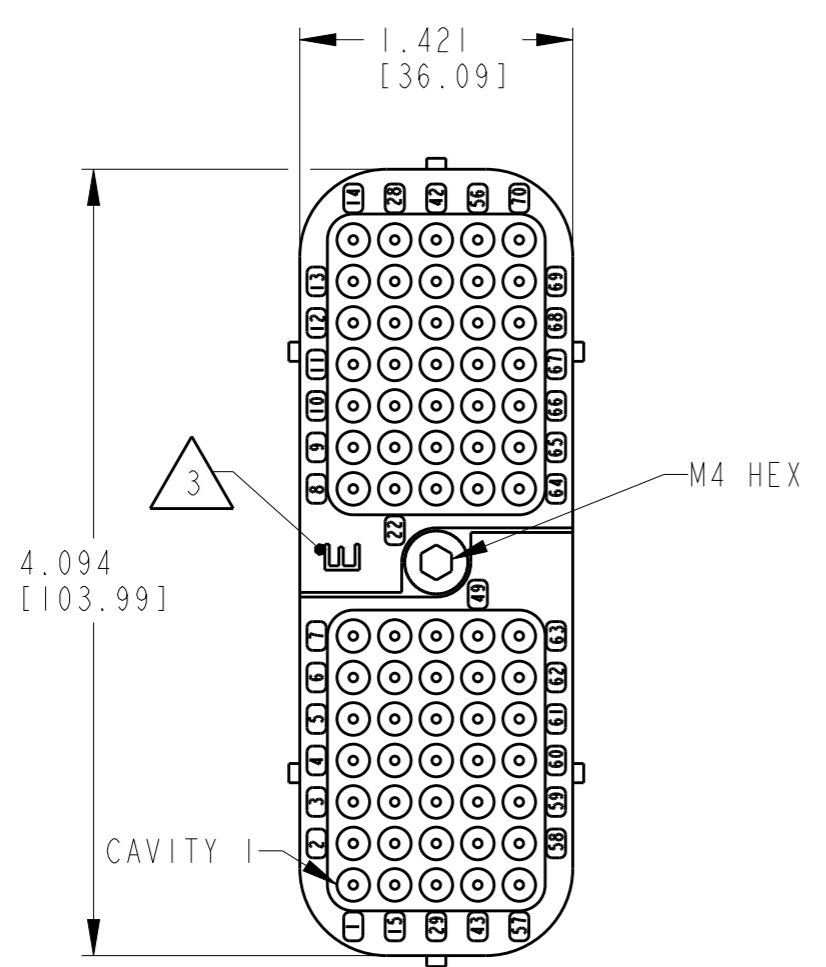


THIS DRAWING IS UNPUBLISHED. RELEASED FOR PUBLICATION 2017
 © COPYRIGHT 2017 BY - TE CONNECTIVITY ALL RIGHTS RESERVED.

REVISIONS					
P	LTR	DESCRIPTION	DATE	DWN	APVD
	A	REVISED PER PCN E-17-009091	17MAY2017	CM	DM

MIN. INSUL. O.D.	MAX. INSUL. O.D.	WIRE RANGE [mm ²] REF ONLY
.053 [1.35]	.120 [3.05]	14-20 AWG [2.0-0.50]



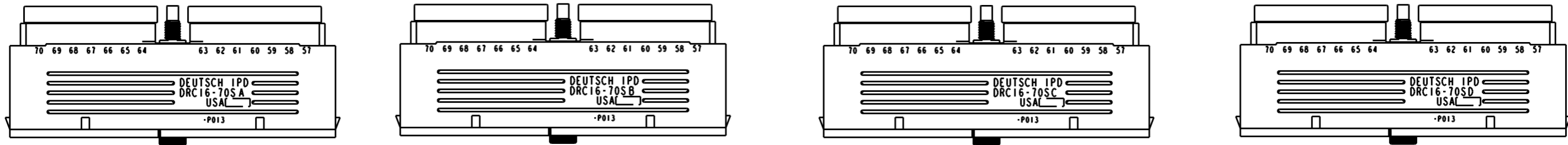
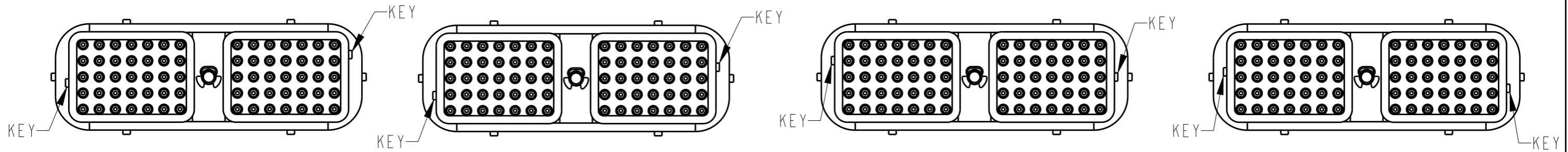
- 7. PART MODIFICATION: INTERFACE SEALS ARE BONDED TO PLUG HOUSING.
- 6. SEE SHEET 2 FOR OTHER KEYS ARRANGEMENTS.
- 5. MATERIAL:
 PLUG: PPS GF40 (BLACK)
 SEAL/GROMMET: VMQ (RED-ORANGE)
 BOLT/CLIP: STAINLESS STEEL.
- 4. MATING TORQUE REQUIREMENT: 25-28 IN-LB [2.82-3.16 Nm].
- 3. WHEN X = E: STAMPED LETTER E IDENTIFIES "E" WIRE SEAL. ORIENTATION IS OPTIONAL FOR ZONE, IT CAN BE UPSIDE DOWN.
- 2. THIS PLUG MATES WITH DRC12-70PAX-XXXX; DRC13-70PA-XXXX; DRC14-70PAX-XXXX. (XXXX= ALL MODIFICATIONS) CONSULT FACTORY FOR MODS.
- 1. PLUG IS SUPPLIED WITH DUST CAP (NOT SHOWN).

TE INTERNAL PN	DEUTSCH PN
DRC16-70SAE-P013	DRC16-70SAE-P013
DRC16-70SBE-P013	DRC16-70SBE-P013
DRC16-70SCE-P013	DRC16-70SCE-P013
DRC16-70SDE-P013	DRC16-70SDE-P013

NOTES: UNLESS OTHERWISE SPECIFIED

THIS DRAWING IS A CONTROLLED DOCUMENT.		DWN J. APOSTOL 22APR2005			
DIMENSIONS: INCHES [mm]		CHK R. MESSENGER 03MAY2005			
TOLERANCES UNLESS OTHERWISE SPECIFIED:		APVD R. REED 03MAY2005		NAME PLUG 70 SIZE 16 KEYS: A,B,C,D 'E' SEAL COLOR: BLACK DRC SERIES	
0 PLC ±		PRODUCT SPEC 0425-015-0000		SIZE A3	
1 PLC ±		APPLICATION SPEC 0425-015-0000		CAGE CODE 4AFU8	
2 PLC ±		WEIGHT 154.3 g		DRAWING NO. DRC16-70SXE-P013	
3 PLC ±.025 [0.64]		CUSTOMER DRAWING		RESTRICTED TO -	
4 PLC ±		SCALE 1:1		SHEET 1 OF 2	
ANGLES ±0° 30' 0"		REV A			
FINISH -					
MATERIAL (marked with triangle 5)					

REVISIONS					
P	LTR	DESCRIPTION	DATE	DWN	APVD
-		SEE SHEET 1	-	-	-



DRC16-70SAE-P013 KEY ARRANGEMENT -A- **DRC16-70SBE-P013 KEY ARRANGEMENT -B-** **DRB16-70SCE-P013 KEY ARRANGEMENT -C-** **DRC16-70SDE-P013 KEY ARRANGEMENT -D-**

THIS DRAWING IS A CONTROLLED DOCUMENT.		DWN J. APOSTOL 22APR2005		
DIMENSIONS: INCHES [mm]		CHK R. MESSENGER 03MAY2005		
TOLERANCES UNLESS OTHERWISE SPECIFIED:		APVD R. REED 03MAY2005	NAME PLUG 70 SIZE 16 KEYS: A,B,C,D 'E' SEAL COLOR: BLACK DRC SERIES	
		PRODUCT SPEC 0425-015-0000	SIZE A3	CAGE CODE 4AFU8
MATERIAL -		APPLICATION SPEC 0425-015-0000	DRAWING NO DRC16-70SXE-P013	RESTRICTED TO -
FINISH -		WEIGHT 154.3 g	SCALE 1:1	SHEET 2 OF 2
		CUSTOMER DRAWING	REV A	