

HF/VHF/UHF RF power N-channel MOSFET

Datasheet - production data

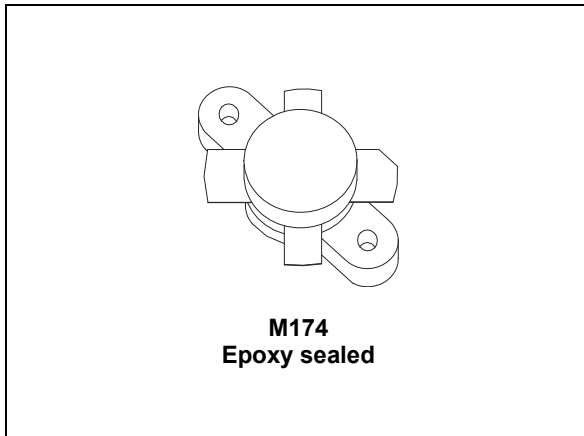
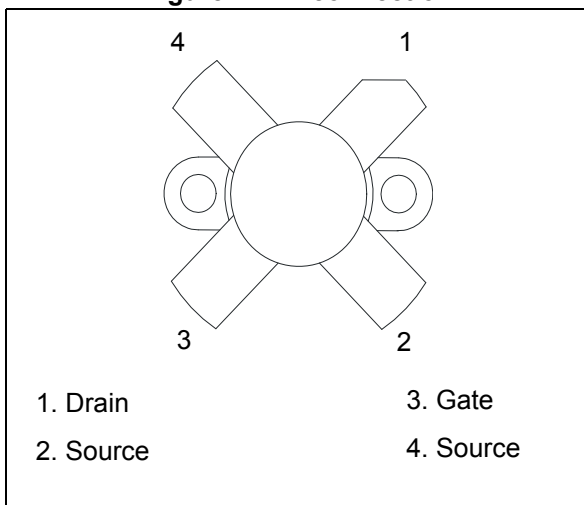


Figure 1. Pin connection



Features

- Improved ruggedness $V_{(BR)DSS} > 200 \text{ V}$
- Excellent thermal stability
- 20:1 all phases load mismatch capability
- $P_{OUT} = 150 \text{ W min. with } 14.8 \text{ dB gain @ } 175 \text{ MHz}$
- In compliance with the 2002/95/EC European directive

Description

The SD4931 is an N-channel MOS field-effect RF power transistor. It is intended for use in 50 V DC large signal applications up to 250 MHz.

Table 1. Device summary

Order code	Marking	Base qty.	Package	Packaging ⁽¹⁾
SD4931	SD4931 ⁽¹⁾	25 pcs	M174	Plastic tray

1. For more details please refer to [Chapter 5: Marking, packing and shipping specifications](#).

Contents

1	Electrical data	3
1.1	Maximum ratings	3
1.2	Thermal data	3
2	Electrical characteristics	4
2.1	Static	4
2.2	Dynamic	4
3	Typical performance	5
4	Package mechanical data	9
5	Marking, packing and shipping specifications	11
6	Revision history	12

1 Electrical data

1.1 Maximum ratings

Table 2. Absolute maximum ratings ($T_{CASE} = 25\text{ °C}$)

Symbol	Parameter	Value	Unit
$V_{(BR)DSS}$	Drain source voltage	200	V
V_{DGR}	Drain-gate voltage ($R_{GS} = 1\text{ M}\Omega$)	200	V
V_{GS}	Gate-source voltage	± 20	V
I_D	Drain current	20	A
P_{DISS}	Power dissipation	389	W
T_J	Max. operating junction temperature	200	$^{\circ}\text{C}$
T_{STG}	Storage temperature	-65 to +150	$^{\circ}\text{C}$

1.2 Thermal data

Table 3. Thermal data

Symbol	Parameter	Value	Unit
R_{thJC}	Junction - case thermal resistance	0.45	$^{\circ}\text{C}/\text{W}$

2 Electrical characteristics

$$T_{\text{CASE}} = +25\text{ }^{\circ}\text{C}$$

2.1 Static

Table 4. Static

Symbol	Test conditions		Min	Typ	Max	Unit
$V_{(\text{BR})\text{DSS}}$	$V_{\text{GS}} = 0\text{ V}$	$I_{\text{DS}} = 100\text{ mA}$	200			V
I_{DSS}	$V_{\text{GS}} = 0\text{ V}$	$V_{\text{DS}} = 100\text{ V}$			1	mA
I_{GSS}	$V_{\text{GS}} = 20\text{ V}$	$V_{\text{DS}} = 0\text{ V}$			250	nA
$V_{\text{GS(Q)}}$	$V_{\text{DS}} = 10\text{ V}$	$I_{\text{D}} = 250\text{ mA}$	1.5	2.5	4.0	V
$V_{\text{DS(ON)}}$	$V_{\text{GS}} = 10\text{ V}$	$I_{\text{D}} = 10\text{ A}$		3.5	5.0	V
G_{FS}	$V_{\text{DS}} = 10\text{ V}$	$I_{\text{D}} = 2.5\text{ A}$	2.5	4.0		S
C_{ISS}	$V_{\text{GS}} = 0\text{ V}$	$V_{\text{DS}} = 50\text{ V}$		500		pF
C_{OSS}	$V_{\text{GS}} = 0\text{ V}$	$V_{\text{DS}} = 50\text{ V}$		200		pF
C_{RSS}	$V_{\text{GS}} = 0\text{ V}$	$V_{\text{DS}} = 50\text{ V}$		8		pF

2.2 Dynamic

Table 5. Dynamic

Symbol	Test conditions		Min	Typ	Max	Unit
$P_{1\text{dB}}$	$V_{\text{DD}} = 50\text{ V}$	$I_{\text{DQ}} = 250\text{ mA}$ $f = 175\text{ MHz}$	150	175		W
G_{PS}	$V_{\text{DD}} = 50\text{ V}$	$I_{\text{DQ}} = 250\text{ mA}$ $P_{\text{OUT}} = 150\text{ W}$ $f = 175\text{ MHz}$	13	14.8		dB
n_{D}	$V_{\text{DD}} = 50\text{ V}$	$I_{\text{DQ}} = 250\text{ mA}$ $P_{\text{OUT}} = 150\text{ W}$ $f = 175\text{ MHz}$	50	56		%
Load mismatch	$V_{\text{DD}} = 50\text{ V}$	$I_{\text{DQ}} = 250\text{ mA}$ $P_{\text{OUT}} = 150\text{ W}$ $f = 175\text{ MHz}$ All phase angles	10:1	20:1		VSWR

3 Typical performance

Figure 2. Transient thermal impedance

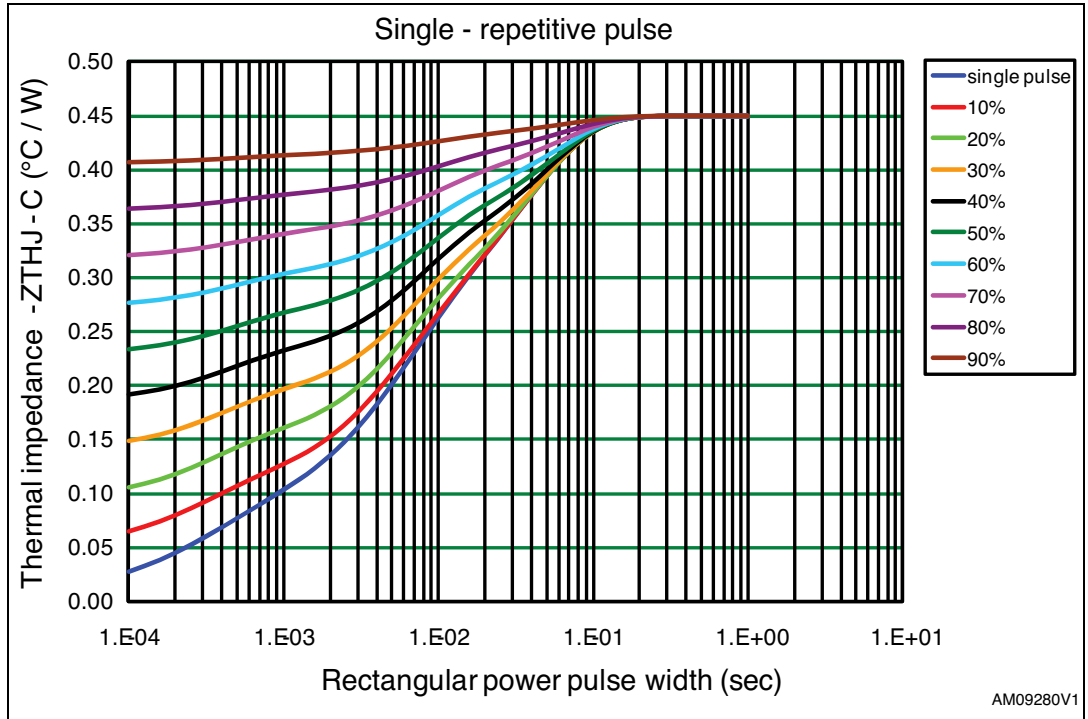


Figure 3. Transient thermal impedance model

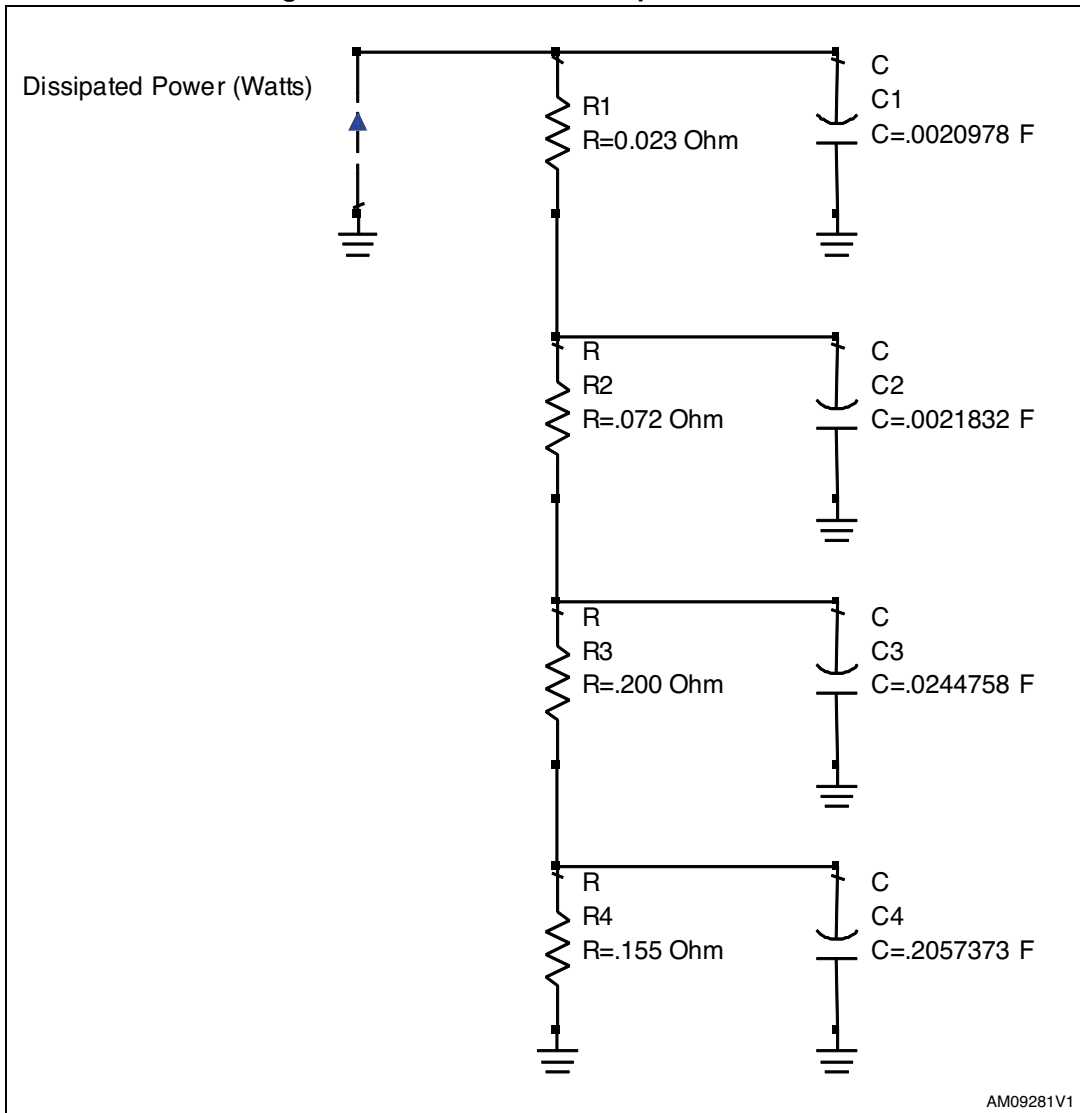


Figure 4. Power gain and efficiency vs output power_Vdd = 50 V, Idq = 250 mA, Freq = 175 MHz

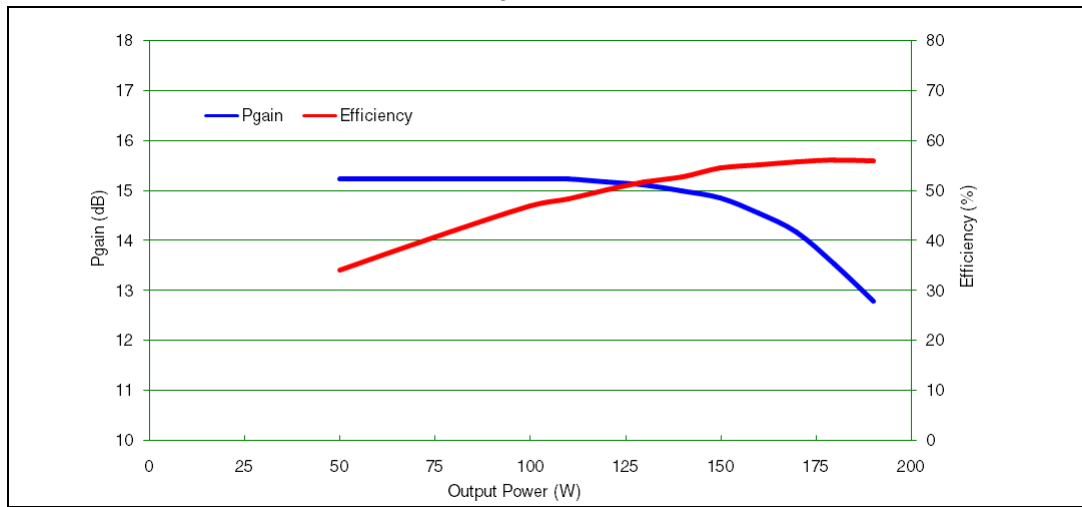


Table 6. Vgs sort (@250 mA)

Marking	Min.	Max.
DD	1.5	1.6
EE	1.6	1.7
FF	1.7	1.8
A	1.8	1.9
B	1.9	2
C	2	2.1
D	2.1	2.2
E	2.2	2.3
F	2.3	2.4
G	2.4	2.5
H	2.5	2.6
I	2.6	2.7
J	2.7	2.8
K	2.8	2.9
L	2.9	3
M	3	3.1
N	3.1	3.2
O	3.2	3.3
P	3.3	3.4
Q	3.4	3.5

Table 6. Vgs sort (@250 mA) (continued)

Marking	Min.	Max.
R	3.5	3.6
S	3.6	3.7
T	3.7	3.8
U	3.8	3.9
V	3.9	4

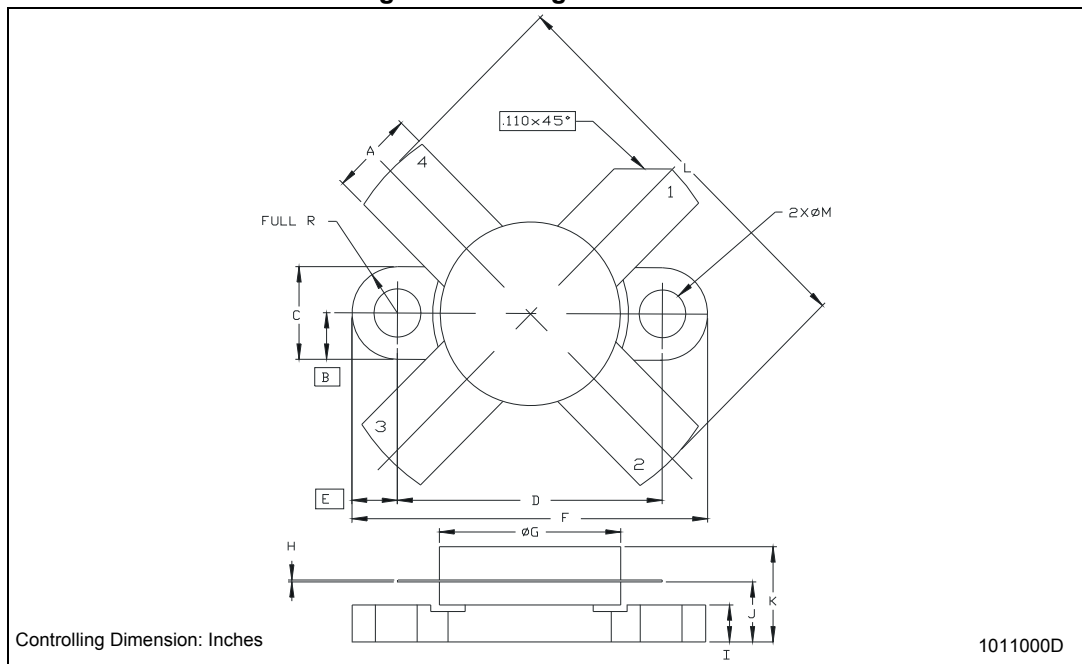
4 Package mechanical data

In order to meet environmental requirements, ST offers these devices in different grades of ECOPACK® packages, depending on their level of environmental compliance. ECOPACK® specifications, grade definitions and product status are available at: www.st.com. ECOPACK is an ST trademark.

Table 7. M174 (0.500 DIA 4/L N/HERM W/FLG) mechanical data

Dim.	mm.			Inch		
	Min	Typ	Max	Min	Typ	Max
A	5.56		5.584	0.219		0.230
B		3.18			0.125	
C	6.22		6.48	0.245		0.255
D	18.28		18.54	0.720		0.730
E		3.18			0.125	
F	24.64		24.89	0.970		0.980
G	12.57		12.83	0.495		0.505
H	0.08		0.18	0.003		0.007
I	2.11		3.00	0.083		0.118
J	3.81		4.45	0.150		0.175
K			7.11			0.280
L	25.53		26.67	1.005		1.050
M	3.05		3.30	0.120		0.130

Figure 5. Package dimensions



5 Marking, packing and shipping specifications

Table 8. Packing and shipping specifications

Order code	Packaging	Pcs per tray	Dry pack humidity	Vgs sort	Lot code
SD4931	Plastic tray	25	< 10%	Not mixed	Not mixed

Figure 6. Marking layout

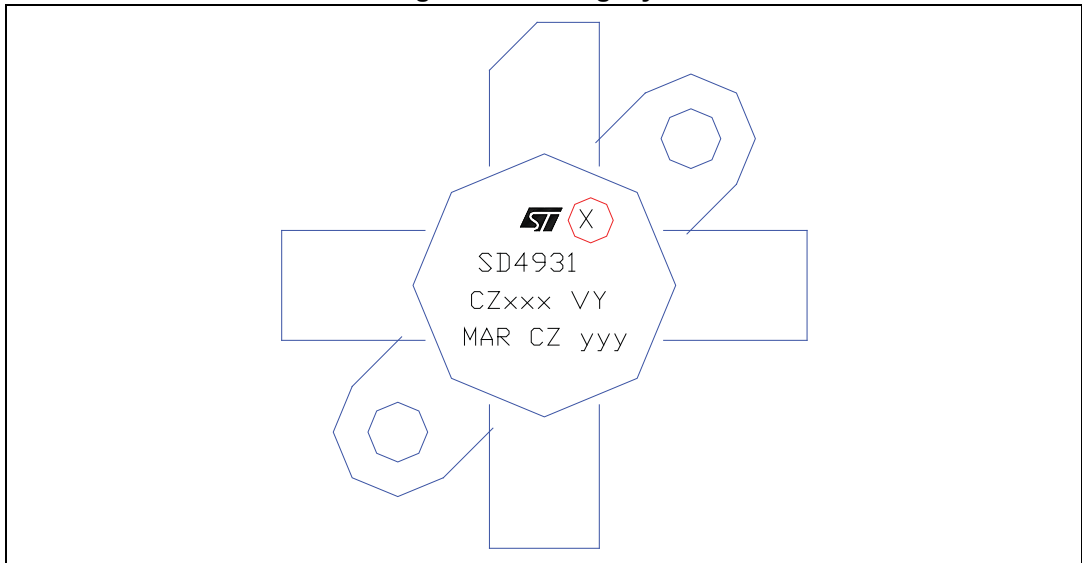


Table 9. Marking specifications

Symbol	Description
X	V _{GS} sort
CZ	Assembly plant
xxx	Last 3 digits of diffusion lot
VY	Diffusion plant
MAR	Country of origin
CZ	Test and finishing plant
y	Assembly year
yy	Assembly week

6 Revision history

Table 10. Document revision history

Date	Revision	Changes
17-Mar-2008	1	Initial release.
14-Jan-2010	2	Updated test conditions in Table 5: Dynamic .
23-May-2011	3	Inserted Figure 2: Transient thermal impedance , Figure 3: Transient thermal impedance model and Section 5: Marking, packing and shipping specifications .
10-Jun-2013	4	<ul style="list-style-type: none">– Modified document title to “HF/VHF/UHF RF power N-channel MOSFET”– Corrected error in $V_{GS(Q)}$ symbol and test conditions in Table 4: Static.– Minor text edits.

Please Read Carefully:

Information in this document is provided solely in connection with ST products. STMicroelectronics NV and its subsidiaries ("ST") reserve the right to make changes, corrections, modifications or improvements, to this document, and the products and services described herein at any time, without notice.

All ST products are sold pursuant to ST's terms and conditions of sale.

Purchasers are solely responsible for the choice, selection and use of the ST products and services described herein, and ST assumes no liability whatsoever relating to the choice, selection or use of the ST products and services described herein.

No license, express or implied, by estoppel or otherwise, to any intellectual property rights is granted under this document. If any part of this document refers to any third party products or services it shall not be deemed a license grant by ST for the use of such third party products or services, or any intellectual property contained therein or considered as a warranty covering the use in any manner whatsoever of such third party products or services or any intellectual property contained therein.

UNLESS OTHERWISE SET FORTH IN ST'S TERMS AND CONDITIONS OF SALE ST DISCLAIMS ANY EXPRESS OR IMPLIED WARRANTY WITH RESPECT TO THE USE AND/OR SALE OF ST PRODUCTS INCLUDING WITHOUT LIMITATION IMPLIED WARRANTIES OF MERCHANTABILITY, FITNESS FOR A PARTICULAR PURPOSE (AND THEIR EQUIVALENTS UNDER THE LAWS OF ANY JURISDICTION), OR INFRINGEMENT OF ANY PATENT, COPYRIGHT OR OTHER INTELLECTUAL PROPERTY RIGHT.

ST PRODUCTS ARE NOT AUTHORIZED FOR USE IN WEAPONS. NOR ARE ST PRODUCTS DESIGNED OR AUTHORIZED FOR USE IN: (A) SAFETY CRITICAL APPLICATIONS SUCH AS LIFE SUPPORTING, ACTIVE IMPLANTED DEVICES OR SYSTEMS WITH PRODUCT FUNCTIONAL SAFETY REQUIREMENTS; (B) AERONAUTIC APPLICATIONS; (C) AUTOMOTIVE APPLICATIONS OR ENVIRONMENTS, AND/OR (D) AEROSPACE APPLICATIONS OR ENVIRONMENTS. WHERE ST PRODUCTS ARE NOT DESIGNED FOR SUCH USE, THE PURCHASER SHALL USE PRODUCTS AT PURCHASER'S SOLE RISK, EVEN IF ST HAS BEEN INFORMED IN WRITING OF SUCH USAGE, UNLESS A PRODUCT IS EXPRESSLY DESIGNATED BY ST AS BEING INTENDED FOR "AUTOMOTIVE, AUTOMOTIVE SAFETY OR MEDICAL" INDUSTRY DOMAINS ACCORDING TO ST PRODUCT DESIGN SPECIFICATIONS. PRODUCTS FORMALLY ESCC, QML OR JAN QUALIFIED ARE DEEMED SUITABLE FOR USE IN AEROSPACE BY THE CORRESPONDING GOVERNMENTAL AGENCY.

Resale of ST products with provisions different from the statements and/or technical features set forth in this document shall immediately void any warranty granted by ST for the ST product or service described herein and shall not create or extend in any manner whatsoever, any liability of ST.

ST and the ST logo are trademarks or registered trademarks of ST in various countries.

Information in this document supersedes and replaces all information previously supplied.

The ST logo is a registered trademark of STMicroelectronics. All other names are the property of their respective owners.

© 2013 STMicroelectronics - All rights reserved

STMicroelectronics group of companies

Australia - Belgium - Brazil - Canada - China - Czech Republic - Finland - France - Germany - Hong Kong - India - Israel - Italy - Japan - Malaysia - Malta - Morocco - Philippines - Singapore - Spain - Sweden - Switzerland - United Kingdom - United States of America

www.st.com

