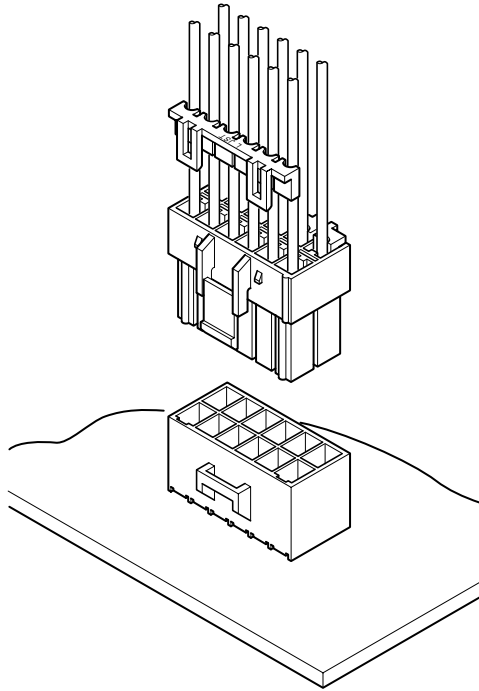


# HL CONNECTOR

**3.96mm pitch Disconnectable Crimp style connectors**



- **Housing lances for contact retention**
- **Inner-housing lock**
- **Secondary retainer**
- **Low insertion force contact**

## Specifications

- Current rating: 7A AC, DC (Refer to the table below.)
- Voltage rating: 300V AC, DC
- Temperature range: -25°C to +90°C  
(including temperature rise in applying electrical current)
- Contact resistance: Initial value/7m Ω max.  
After environmental testing/10m Ω max.
- Insulation resistance: 1,000M Ω min.
- Withstanding voltage: 1,500V AC/minute
- Applicable wire: AWG #22 to #18
- Applicable PC board thickness: 1.5 to 2.2mm

*Note:*

The current rating differs depending on the number of circuits and the wire size used in each connector. The table below lists the current rating as a function of the number of circuits and the wire size.

Current unit:A

Circuits	Wire size(AWG)		
	#18	#20	#22
4	7	5	4
8	6	4	3
12	5	3	3

*Note:*

Do not branch in parallel current which exceeds the rated current (eg. more than 7A in the case of 4 circuits with AWG #18). If branched in parallel, current imbalance or other problems may develop.

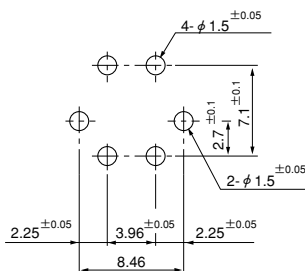
- \* Compliant with RoHS.
- \* Refer to "General Instruction and Notice when using Terminals and Connectors" at the end of this catalog.
- \* Contact JST for details.

## Standards

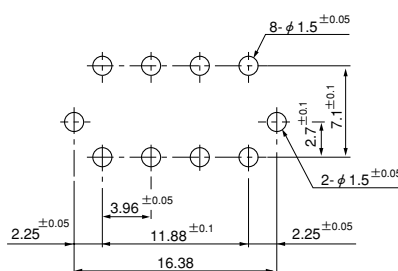
- Ⓡ Recognized E60389
- Ⓢ Certified LR20812
- Ⓡ R50171609

### PC board layout (viewed from component side)

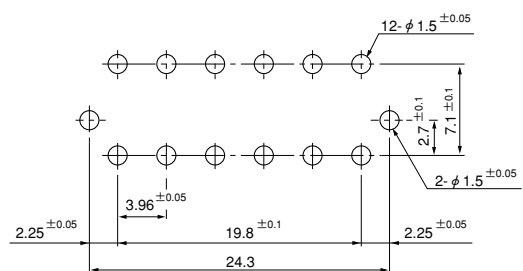
(4 circuits)



(8 circuits)



(12 circuits)

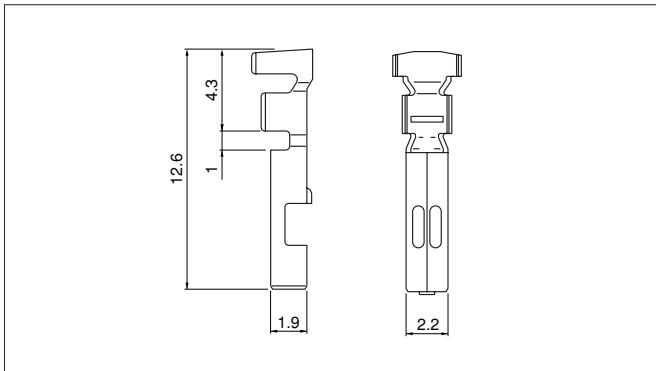


*Note:* 1. Tolerances are non-cumulative: ±0.05mm for all centers.

2. Hole dimensions differ according to the kind of PC board and piercing method. The dimensions above should serve as a guideline. Contact JST for details.

# HL CONNECTOR

## Contact



Model No.	Applicable wire		Insulation O.D. (mm)	Q'ty / reel
	mm <sup>2</sup>	AWG #		
<b>SSF-21T-P1.4</b>	0.3~0.75	22~18	1.5~2.2	6,000

### Material and Finish

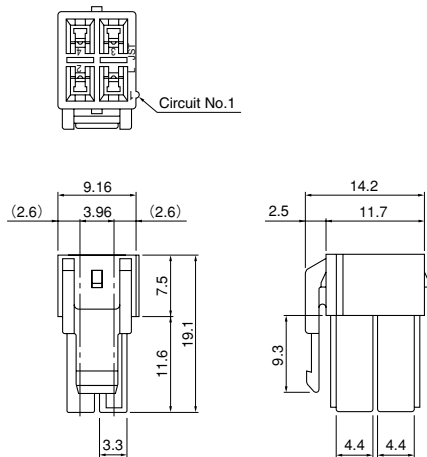
Phosphor bronze, tin-plated (reflow treatment)

### RoHS compliance

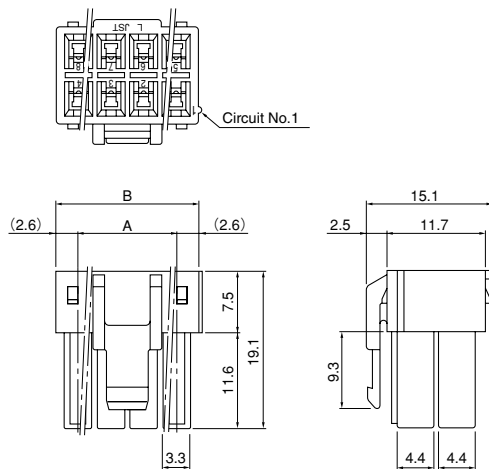
Contact	Crimping machine	Applicator		
		Crimp applicator	Dies	Crimp applicator with dies
<b>SSF-21T-P1.4</b>	AP-K2N	MKS-L	MK/SSF/M-21-14	APLMK SSF/M21-14
		—	—	—

## Housing

### (4 circuits)



### (8, 12 circuits)



Circuits	Model No.	Dimensions (mm)		Q'ty / bag
		A	B	
4	<b>HLP-04V</b>	—	—	500
8	<b>HLP-08V</b>	11.88	17.08	500
12	<b>HLP-12V</b>	19.8	25.0	500

### Material

PA 66, UL94V-0, natural (white)

### RoHS compliance

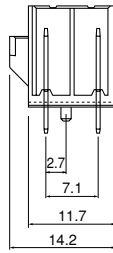
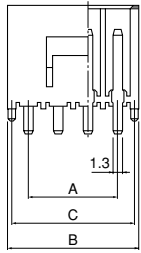
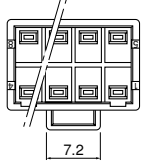
<For reference> As the color identification, the following alphabet shall be put in the underlined part. For availability, delivery and minimum order quantity, contact JST.

ex. **HLP-04V-oo**  
 (blank)...natural (white)  
 E...blue

# HL CONNECTOR

## Locking header

(4 to 12 circuits)



Circuits	Model No.	Dimensions (mm)			Q'ty / box
		A	B	C	
4	<b>B04P-HL-A</b>	3.96	9.56	8.46	200
8	<b>B08P-HL-A</b>	11.88	17.48	16.38	100
12	<b>B12P-HL-A</b>	19.80	25.40	24.30	50

### Material and Finish

Post: Brass, copper-undercoated, tin-plated (reflow treatment)  
Wafer: PA 66, UL94V-0, natural (white)

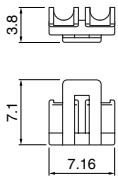
**RoHS compliance** This product displays (LF)(SN) on a label.

<For reference> As the color identification, the following alphabet shall be put in the underlined part. For availability, delivery and minimum order quantity, contact JST.

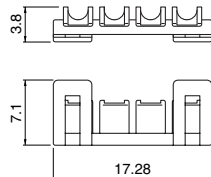
ex. **B04P-HL-A-oo**  
(blank)...natural (white)  
E...blue

## Retainer

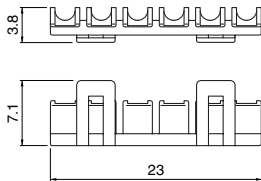
**HLS-02V**



**HLS-08V**



**HLS-12V**



Applicable Housing Model No.	Retainer Model No.	Q'ty / bag
<b>HLP-04V</b>	<b>HLS-02V</b>	1,000
<b>HLP-08V</b>	<b>HLS-08V</b>	1,000
<b>HLP-12V</b>	<b>HLS-12V</b>	1,000

### Material

Glass-filled PA 66, UL94V-0, natural (ivory)

**RoHS compliance**

## Contact position location numbers

