

THIS DRAWING IS UNPUBLISHED.

RELEASED FOR PUBLICATION

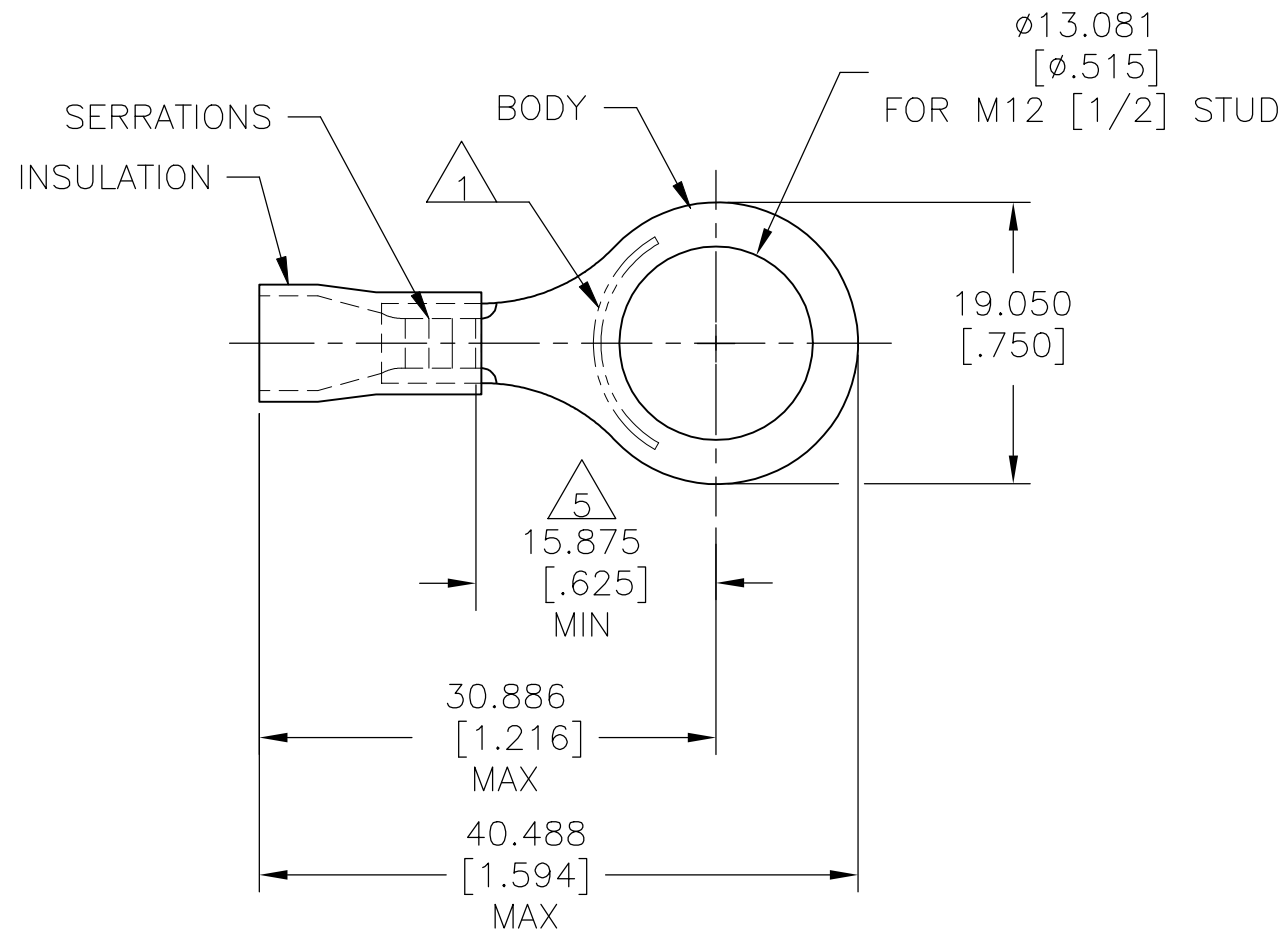
© COPYRIGHT - TE Connectivity Ltd.

ALL RIGHTS RESERVED.

REVISIONS

P	LTR	DESCRIPTION	DATE	DWN	APVD
Z		REV PER 0G3A-0668-04	25AUG04	JR	TM
Z1		REVISED PER ECO-17-014338	29MAR2018	RS	DR

AMP WIRE RANGE	 Listed FILE E13288	 LR7189 Certified
12-10 AWG SOLID OR STRANDED	12-10 AWG SOLID OR STRANDED	12-10 AWG SOLID OR STRANDED



- 1 STAMP AMP 12-10* 6-9 APPROX AS SHOWN
- 2 WIRE INSULATION: $\phi 3.810 - \phi 6.350$ [$\phi .150 - \phi .250$]
- 3 BODY MATERIAL THK: 0.991 ± 0.051 [$.039 \pm .002$]
- 4 MATERIAL: BODY - CU PER ASTM B152
INSULATION - PVC
- 5 APPLIES FROM CENTER OF STUD HOLE TO
EDGE OF METAL WIRE BARREL

1000	BLACK	ON TAPE, REEL	2-34837-4
500	YELLOW	LOOSE PIECE	34837
QTY	COLOR	PACKAGE TYPE	PART NO.

AMP INCORPORATED
CUSTOMER SERVICE SYSTEMS

MAX RECOMMENDED OPERATING
TEMPERATURE:
105°C [221°F]

THIS DRAWING IS A CONTROLLED DOCUMENT.

DWN 09/29/92
DK SCHRUM



FOR ADDITIONAL
PRODUCT INFORMATION OR
COPIES OF DRAWINGS
AND TECHNICAL DOCUMENTS

PRODUCT INFORMATION CENTER
1-800-522-6752

VOLTAGE RATING:
600V MAX
[1000V SIGNS OR FIXTURES]

DIMENSIONS:
mm [INCHES]

TOLERANCES UNLESS
OTHERWISE SPECIFIED:

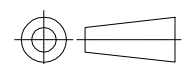
CHK 11/10/92
RE HERSEY

NAME
M BARNABA
PRODUCT SPEC
UL 486A-B
APPLICATION SPEC
114-2161

FOR APPLICATION
TOOLING INFORMATION

TOOLING ASSISTANCE CENTER
1-800-722-1111

CIRCULAR MIL AREA:
2.62-6.64mm² [5,180-13,100]
SOLID OR STRANDED



0 PLC ± -
1 PLC ± -
2 PLC ± -
3 PLC ± 0.127[.005]
4 PLC ± -
ANGLES ± -

APVD 11/10/92
M BARNABA

SIZE CAGE CODE DRAWING NO RESTRICTED TO

FOR ORDER ENTRY

1-800-526-5142

THIS DRAWING IS A CONTROLLED DOCUMENT FOR
AMP INCORPORATED. IT IS SUBJECT TO CHANGE
AND THE CONTROLLING ENGINEERING ORGANIZATION
SHOULD BE CONTACTED FOR THE LATEST REVISION.

MATERIAL



FINISH
BODY: TIN PER ASTM B545
INSULATION: COLOR-SEE
TABLE

REVISIONS

114-2161

114-2161

114-2161

114-2161

114-2161

114-2161

114-2161

A3 00779 C-34837

CUSTOMER DRAWING

SCALE 2:1

SHEET 1 OF 1

REV Z1