

316770-1 ✓ ACTIVE

## Power Double Lock

TE Internal #: 316770-1

Rectangular Connector Locking, Double Lock Plate, 1 Position, UL 94V-0, -22 – 221 °F [-30 – 105 °C], Power Double Lock

[View on TE.com >](#)



Connectors > Rectangular Connectors > Rectangular Connector Accessories > Rectangular Connector Locking



Connector & Contact Retention Accessory Type: **Double Lock Plate**

Number of Positions: **1**

UL Flammability Rating: **UL 94V-0**

Operating Temperature Range: **-30 – 105 °C [-22 – 221 °F]**

## Features

### Product Type Features

Connector & Contact Retention Accessory Type	Double Lock Plate
--	-------------------

### Configuration Features

Number of Positions	1
---------------------	---

### Body Features

Primary Product Material	Glass-Filled Nylon 66
--------------------------	-----------------------

Primary Product Color	Natural
-----------------------	---------

### Dimensions

Product Length	8.2 mm
----------------	--------

Product Height	4.45 mm
----------------	---------

### Usage Conditions

Operating Temperature Range	-30 – 105 °C[-22 – 221 °F]
-----------------------------	----------------------------

### Industry Standards

Glow Wire Rating	Standard Part - Not Glow Wire
------------------	-------------------------------

UL Flammability Rating	UL 94V-0
------------------------	----------

### Packaging Features

Packaging Quantity	2000
Packaging Method	Bag/Box

### Other

Connector Accessory Comment	Quantity required based on connector being used.
-----------------------------	--

### Product Compliance

[For compliance documentation, visit the product page on TE.com>](#)

EU RoHS Directive 2011/65/EU	Compliant
EU ELV Directive 2000/53/EC	Compliant
China RoHS 2 Directive MIIT Order No 32, 2016	No Restricted Materials Above Threshold
EU REACH Regulation (EC) No. 1907/2006	Current ECHA Candidate List: JUNE 2023 (235) Candidate List Declared Against: JUNE 2023 (235) Does not contain REACH SVHC
Halogen Content	Not Low Halogen - contains Br or Cl > 900 ppm.
Solder Process Capability	Not applicable for solder process capability

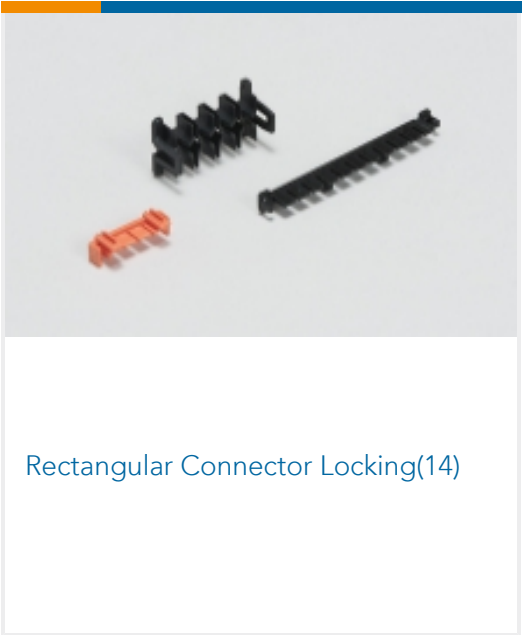
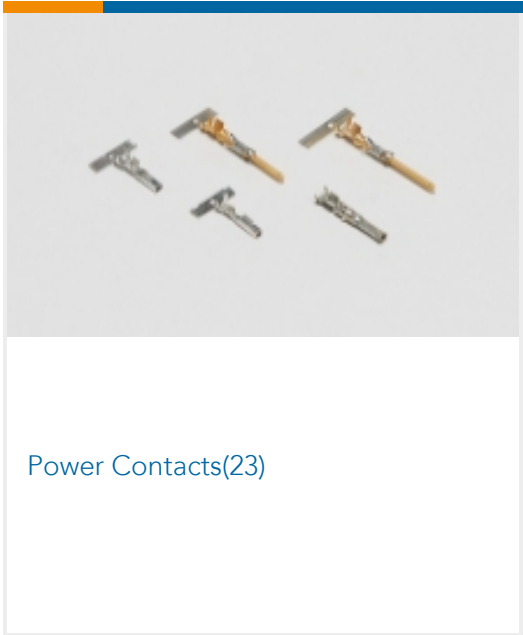
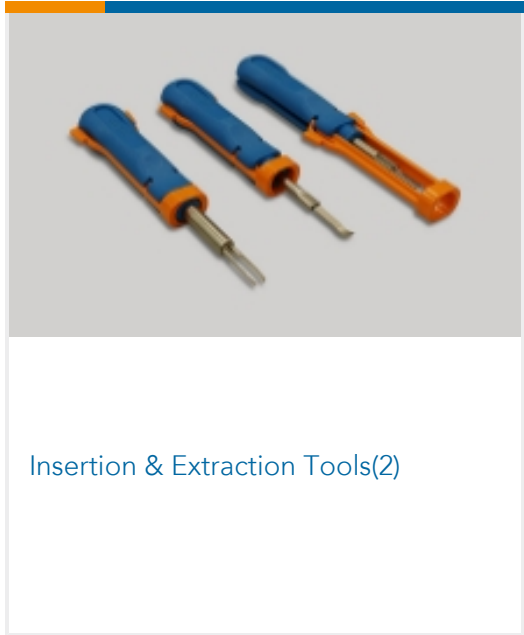
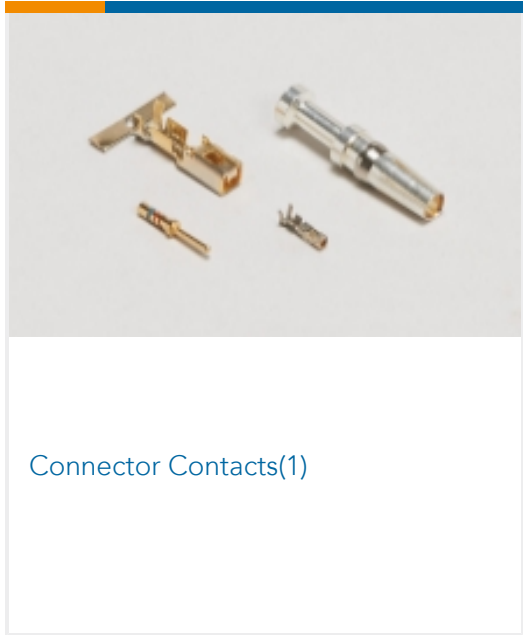
#### Product Compliance Disclaimer

This information is provided based on reasonable inquiry of our suppliers and represents our current actual knowledge based on the information they provided. This information is subject to change. The part numbers that TE has identified as EU RoHS compliant have a maximum concentration of 0.1% by weight in homogenous materials for lead, hexavalent chromium, mercury, PBB, PBDE, DBP, BBP, DEHP, DIBP, and 0.01% for cadmium, or qualify for an exemption to these limits as defined in the Annexes of Directive 2011/65/EU (RoHS2). Finished electrical and electronic equipment products will be CE marked as required by Directive 2011/65/EU. Components may not be CE marked. Additionally, the part numbers that TE has identified as EU ELV compliant have a maximum concentration of 0.1% by weight in homogenous materials for lead, hexavalent chromium, and mercury, and 0.01% for cadmium, or qualify for an exemption to these limits as defined in the Annexes of Directive 2000/53/EC (ELV). Regarding the REACH Regulation, the information TE provides on SVHC in articles for this part number is based on the latest European Chemicals Agency (ECHA) 'Guidance on requirements for substances in articles' posted at this URL: <https://echa.europa.eu/guidance-documents/guidance-on-reach>

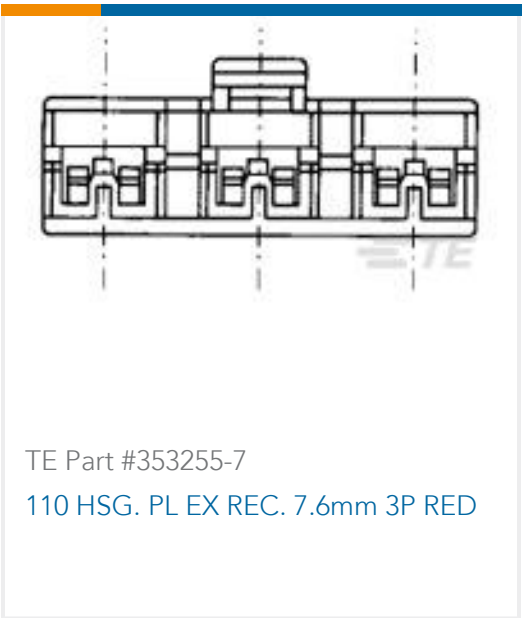
### Compatible Parts

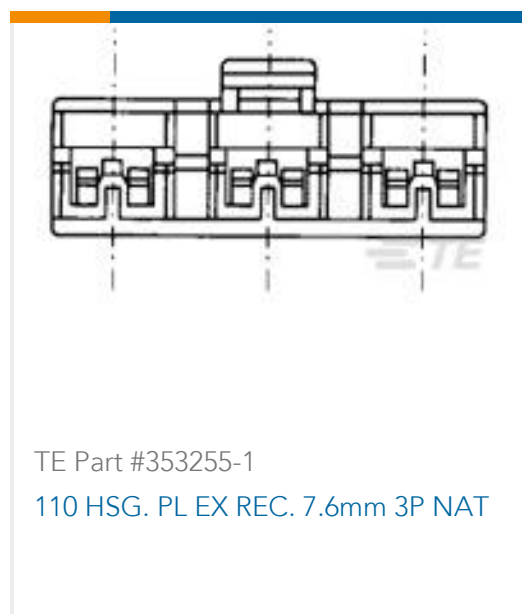


Also in the Series | Power Double Lock



Customers Also Bought





## Documents

### Product Drawings

[AMP POWER DBL LOCK 1P PLATE](#)

English

### CAD Files

Customer View Model

[ENG\\_CVM\\_CVM\\_316770-1\\_E.2d\\_dxf.zip](#)

English

[3D PDF](#)

3D

Customer View Model

[ENG\\_CVM\\_CVM\\_316770-1\\_E.3d\\_igs.zip](#)

English

Customer View Model

[ENG\\_CVM\\_CVM\\_316770-1\\_E.3d\\_stp.zip](#)

English

By downloading the CAD file I accept and agree to the [Terms and Conditions](#) of use.

### Datasheets & Catalog Pages

[SOFT\\_SHELL\\_PIN\\_AND\\_SOCKET\\_CONNECTORS\\_CATALOG](#)

English

[1773458-5\\_POWER\\_DBL\\_LOCK\\_\(PDL\)\\_CONNECTORS](#)

English

### Product Specifications

[Application Specification](#)

English

### Product Environmental Compliance

[Product Compliance Document](#)

English

[Product Compliance Document](#)

English

### Instruction Sheets

[Instruction Sheet \(non U.S.\)](#)

316770-1

Rectangular Connector Locking, Double Lock Plate, 1 Position, UL 94V-0, -22 – 221 °F  
[-30 – 105 °C], Power Double Lock



English

**AMP POWER DOUBLELOCK CONNECTOR SERIES**

English