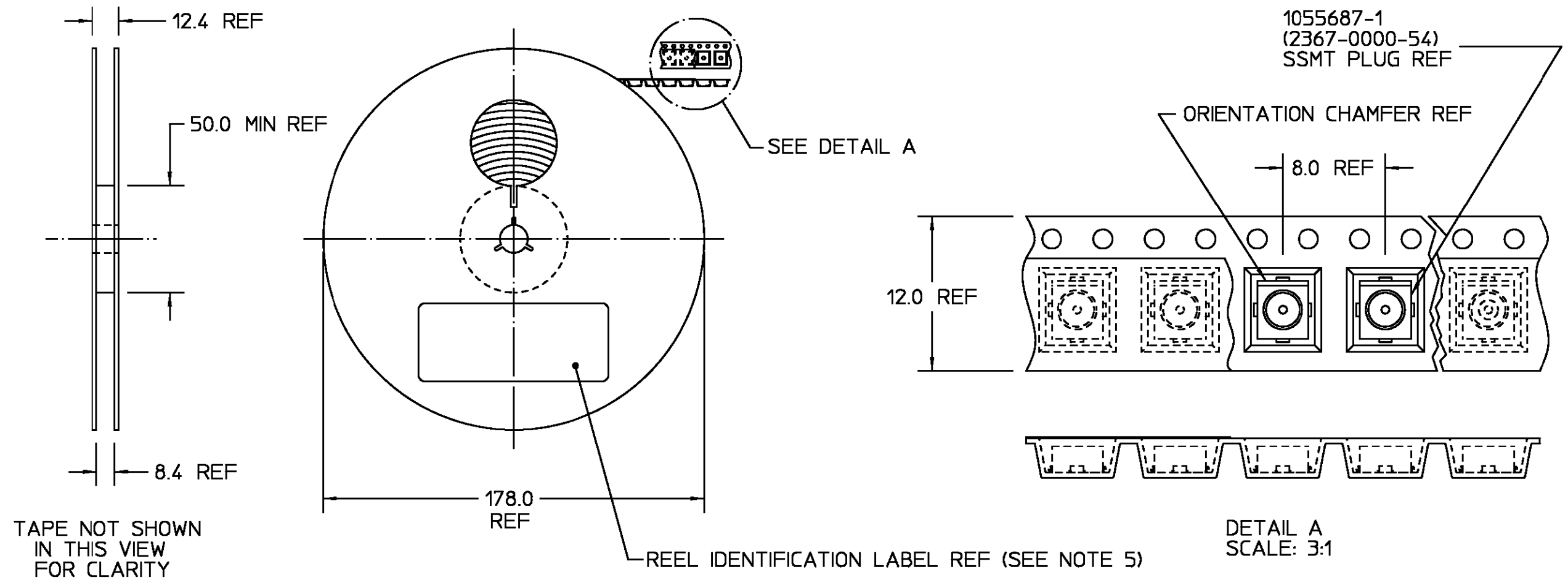



REVISIONS			
REV	DESCRIPTION	DATE	APPROVED
B1	REVISED PER ECO-11-005294	13APR11	HMR



- NOTES
1. TAPE, REEL, AND TAPING SHALL MEET THE REQUIREMENTS OF EIA-481-1.
  2. EMBOSSED TAPE SHALL BE CONDUCTIVE TYPE.
  3. FOR PART ORIENTATION IN TAPE SEE DETAIL A.
  4. REEL SHALL CONTAIN 800 PIECES P/N 1403852-1 (2302-98-01).
  5. REEL IDENTIFICATION LABEL SHALL BE PRINTED WITH REEL P/N 1055688-1 (2367-5001-54), CONNECTOR P/N 1055687-1 (2367-0000-54), MANUFACTURER (TYCO) QTY, AND TAPING DATE AS A MINIMUM.

UNLESS OTHERWISE SPECIFIED DIMENSIONS ARE IN MILLIMETERS. ALL ANGLES ARE DEGREES. FRAC. DEC. ANGLES - - -	DRAWN BY P. RESNICK	DATE 12 MAY 92	 TE Connectivity	
	CHECKED BY			
	APPD BY			
	USED ON			
GROUP CODE:	TITLE TAPE AND REEL PACKAGING, SSMT PLUG, 178MM REEL (800 PARTS PER REEL)			
	SIZE B	CODE IDENT NO. 26805	1055688-1	REV B1
	SCALE 1:2	PLATING AREA	SHEET 1 OF 1	