

PART NUMBER	REV	TERMINATOR	FEED TYPE	DESCRIPTION
1528608-1	A	LEADMAKER	MECH POST FEED	CUTS CARRIER
1528608-2	A	BENCH	MECH PRE FEED	CUTS CARRIER
1528608-6	A	LEADMAKER	MECH POST FEED	CONTINUOUS CARRIER
7-1528608-1	A	LEADMAKER	MECH POST FEED	-1 AND SPARE PARTS
7-1528608-2	A	BENCH	MECH PRE FEED	-2 AND SPARE PARTS
7-1528608-6	A	LEADMAKER	MECH POST FEED	-6 AND SPARE PARTS
7-1528608-7	A	-	-	SPARE PARTS KIT

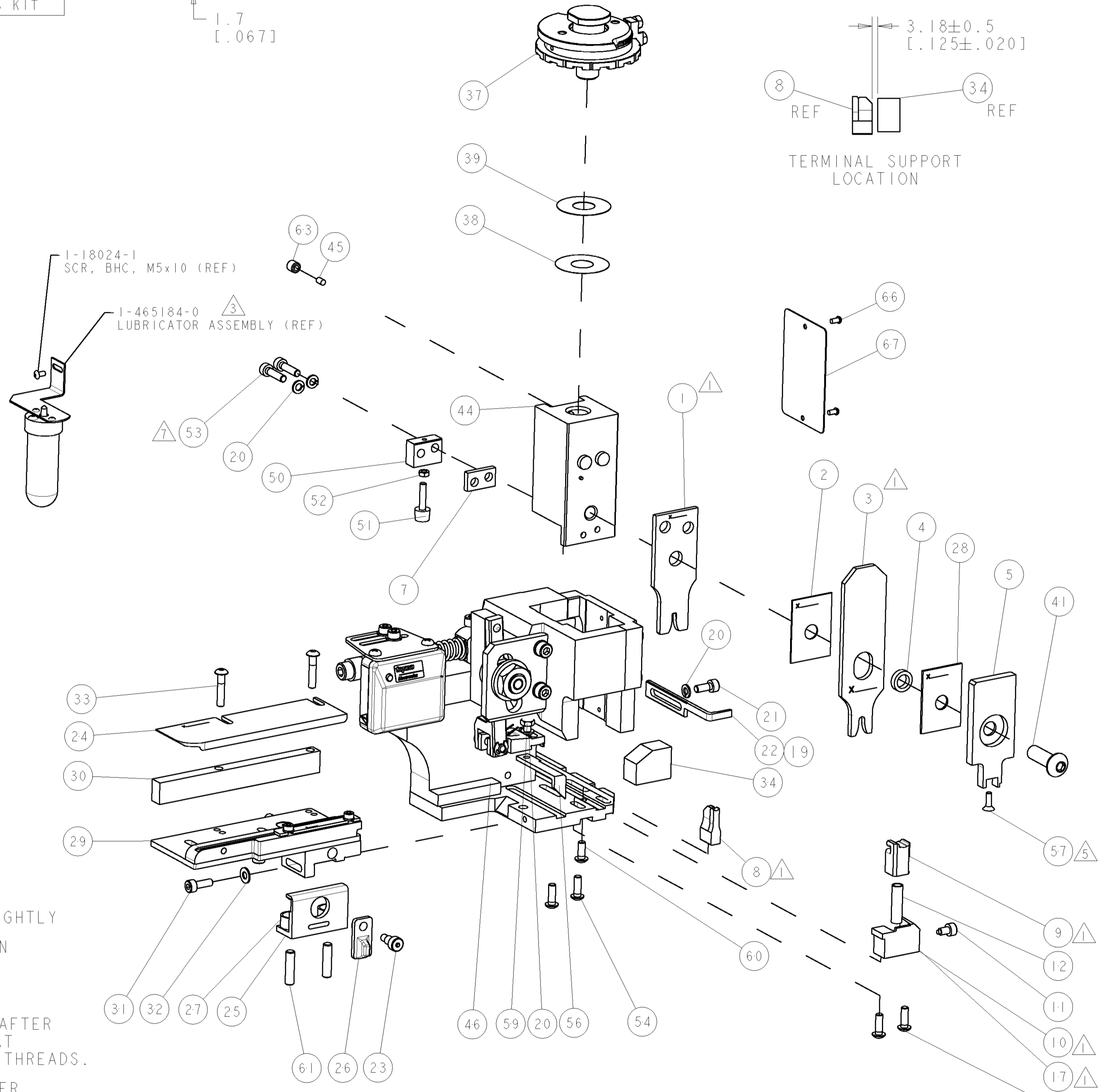
CRIMP	SIZE	TYPE	RANGE
WIRE	2.54 [1.00 IN]	F	1.50-2.50mm <sup>2</sup>
INSUL	3.94 [1.55 IN]	O	2.10-2.90 [0.83-.114 IN] 1/4
WIRE STRIP LENGTH	4.00-4.60 [1.57-.181 IN]		APPL INSTRUCTIONS 408-8322 & 408-8490
TERMINAL APPL SPEC	KOSTAL DRG 2 99 00 44460 0		FEED [3.00 [.512 IN]]

TYCO TERM PN	MANUF TERM PN	TYCO SEAL PN	MANUF SEAL PN
1572920-1	22124444640	1572281-2	10800472631
1572920-2	22125444640	1572798-1	10800444523
1572920-3	22140444640	-	-

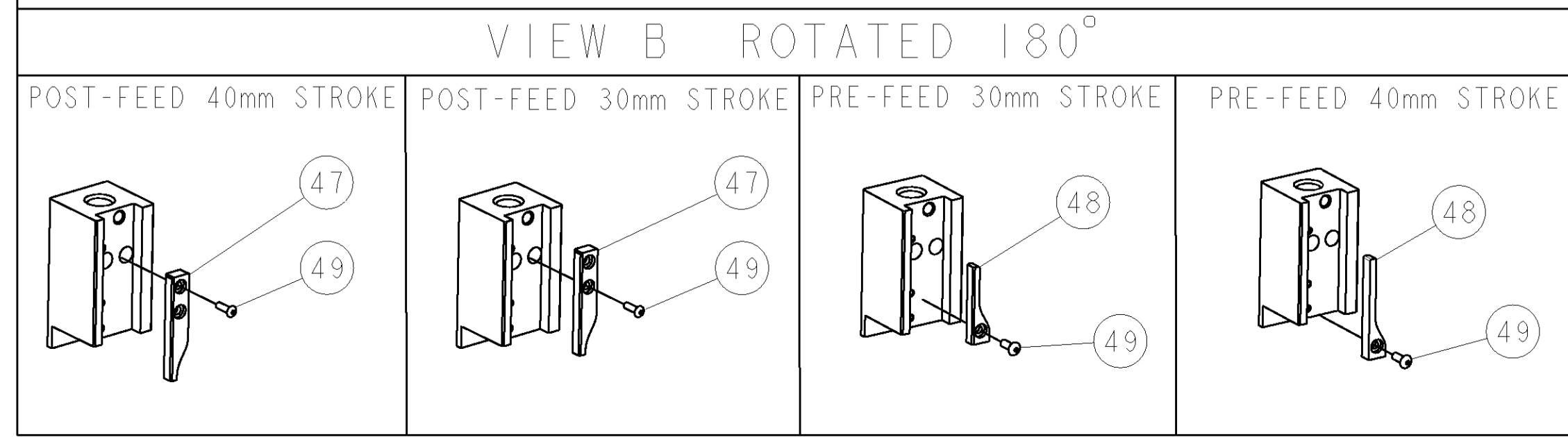
  

WIRE SIZE	CRIMP HEIGHT	REF SETTING
2.50 mm <sup>2</sup>	1.80 ±0.05 [0.071 ±.002 IN]	B 5
1.50 mm <sup>2</sup>	1.50 ±0.05 [0.059 ±.002 IN]	D 5



- △ RECOMMENDED SPARE PARTS
- 2. GREASE RAM, CAM, CAM FOLLOWER AND FEED ROD LIGHTLY
- △ LUBRICATE DAILY PER THE APPLICATOR INSTRUCTION SHEET SUPPLIED WITH THE APPLICATOR
- △ THIS APPLICATOR APPLIES TERMINAL WITH A SEAL.
- △ APPLY TORO-SEAL IN ALLEN SOCKET TO FILL HOLE AFTER FLAT HD HAS BEEN ADJUSTED TO CORRECT HEIGHT AT QUALIFICATION. APPLY #1-23419-5 LOC-TITE TO THREADS.
- △ CRIMP HEIGHTS SUPPLIED BY TERMINAL MANUFACTURER.
- △ CUT TO LENGTH AT ASSEMBLY.

**\* WARNING**  
ON INSTALLATION, SET WIRE DISC TO LARGEST WIRE SIZE SETTING. USE OF SETTINGS BELOW MIN. REQUIRED CRIMP HEIGHT SETTING WILL CAUSE DAMAGE TO CRIMP TOOLING.



-77	-76	-72	-71	-6	-2	-1	PART NO	DESCRIPTION	ITEM NO
-	-	-	-	-	-	-	-	-	83
-	-	-	-	-	-	-	-	-	82
-	-	-	-	-	-	-	-	-	81
-	-	-	-	-	-	-	-	-	80
-	-	-	-	-	-	-	-	-	79
-	-	-	-	-	-	-	-	-	78
-	-	-	-	-	-	-	-	-	77
-	-	-	-	-	-	-	-	-	76
-	-	-	-	-	-	-	-	-	75
-	-	-	-	-	-	-	-	-	74

SET UP GAGE 458637-3		LOC	DIST	REVISONS			
P	LTR	DESCRIPTION	DATE	BY	APPD		
A		SEE ECO-06-003406	15FEB2006	LJL	MC		

-	-	-	-	-	-	-	-	-	73
-	-	-	-	-	-	-	-	-	72
-	-	-	-	-	-	-	-	-	71
-	-	-	-	-	-	-	-	-	70
-	-	-	-	-	-	-	-	-	69
-	-	-	-	-	-	-	-	-	68
-	-	-	-	-	-	-	-	-	67
-	-	-	-	-	-	-	-	-	66
-	-	-	-	-	-	-	-	-	65
-	-	-	-	-	-	-	-	-	64
-	-	-	-	-	-	-	-	-	63
-	-	-	-	-	-	-	-	-	62
-	-	-	-	-	-	-	-	-	61
-	-	-	-	-	-	-	-	-	60
-	-	-	-	-	-	-	-	-	59
-	-	-	-	-	-	-	-	-	58
-	-	-	-	-	-	-	-	-	57
-	-	-	-	-	-	-	-	-	56
-	-	-	-	-	-	-	-	-	55
-	-	-	-	-	-	-	-	-	54
-	-	-	-	-	-	-	-	-	53
-	-	-	-	-	-	-	-	-	52
-	-	-	-	-	-	-	-	-	51
-	-	-	-	-	-	-	-	-	50
-	-	-	-	-	-	-	-	-	49
-	-	-	-	-	-	-	-	-	48
-	-	-	-	-	-	-	-	-	47
-	-	-	-	-	-	-	-	-	46
-	-	-	-	-	-	-	-	-	45
-	-	-	-	-	-	-	-	-	44
-	-	-	-	-	-	-	-	-	43
-	-	-	-	-	-	-	-	-	42
-	-	-	-	-	-	-	-	-	41
-	-	-	-	-	-	-	-	-	40
-	-	-	-	-	-	-	-	-	39
-	-	-	-	-	-	-	-	-	38
-	-	-	-	-	-	-	-	-	37
-	-	-	-	-	-	-	-	-	36
-	-	-	-	-	-	-	-	-	35
-	-	-	-	-	-	-	-	-	34
-	-	-	-	-	-	-	-	-	33
-	-	-	-	-	-	-	-	-	32
-	-	-	-	-	-	-	-	-	31
-	-	-	-	-	-	-	-	-	30
-	-	-	-	-	-	-	-	-	29
-	-	-	-	-	-	-	-	-	28
-	-	-	-	-	-	-	-	-	27
-	-	-	-	-	-	-	-	-	26
-	-	-	-	-	-	-	-	-	25
-	-	-	-	-	-	-	-	-	24
-	-	-	-	-	-	-	-	-	23
-	-	-	-	-	-	-	-	-	22
-	-	-	-	-	-	-	-	-	21
-	-	-	-	-	-	-	-	-	20
-	-	-	-	-	-	-	-	-	19
-	-	-	-	-	-	-	-	-	18
-	-	-	-	-	-	-	-	-	17
-	-	-	-	-	-	-	-	-	16
-	-	-	-	-	-	-	-	-	15
-	-	-	-	-	-	-	-	-	14
-	-	-	-	-	-	-	-	-	13
-	-	-	-	-	-	-	-	-	12
-	-	-	-	-	-	-	-	-	11
-	-	-	-	-	-	-	-	-	10
-	-	-	-	-	-	-	-	-	9
-	-	-	-	-	-	-	-	-	8
-	-	-	-	-	-	-	-	-	7
-	-	-	-	-	-	-	-	-	6
-	-	-	-	-	-	-	-	-	5
-	-	-	-	-	-	-	-	-	4
-	-	-	-	-	-	-	-	-	3
-	-	-	-	-	-	-	-	-	2
-	-	-	-	-	-	-	-	-	1

DATE	BY	DESCRIPTION
23JAN2006	LOTHOUSE	REVISED
23JAN2006	CLIFFORD	REVISED

TYCO	Electronics
Tyco Electronics Harrisburg, PA 17105-3608	
FINE ADJUST SIDE FEED HDI APPLICATOR	
SIZE	CAGE CODE
A1	00779
DRAWING NO. C-1528608	
SCALE 3:5 SHEET 1 OF 1 REV A	