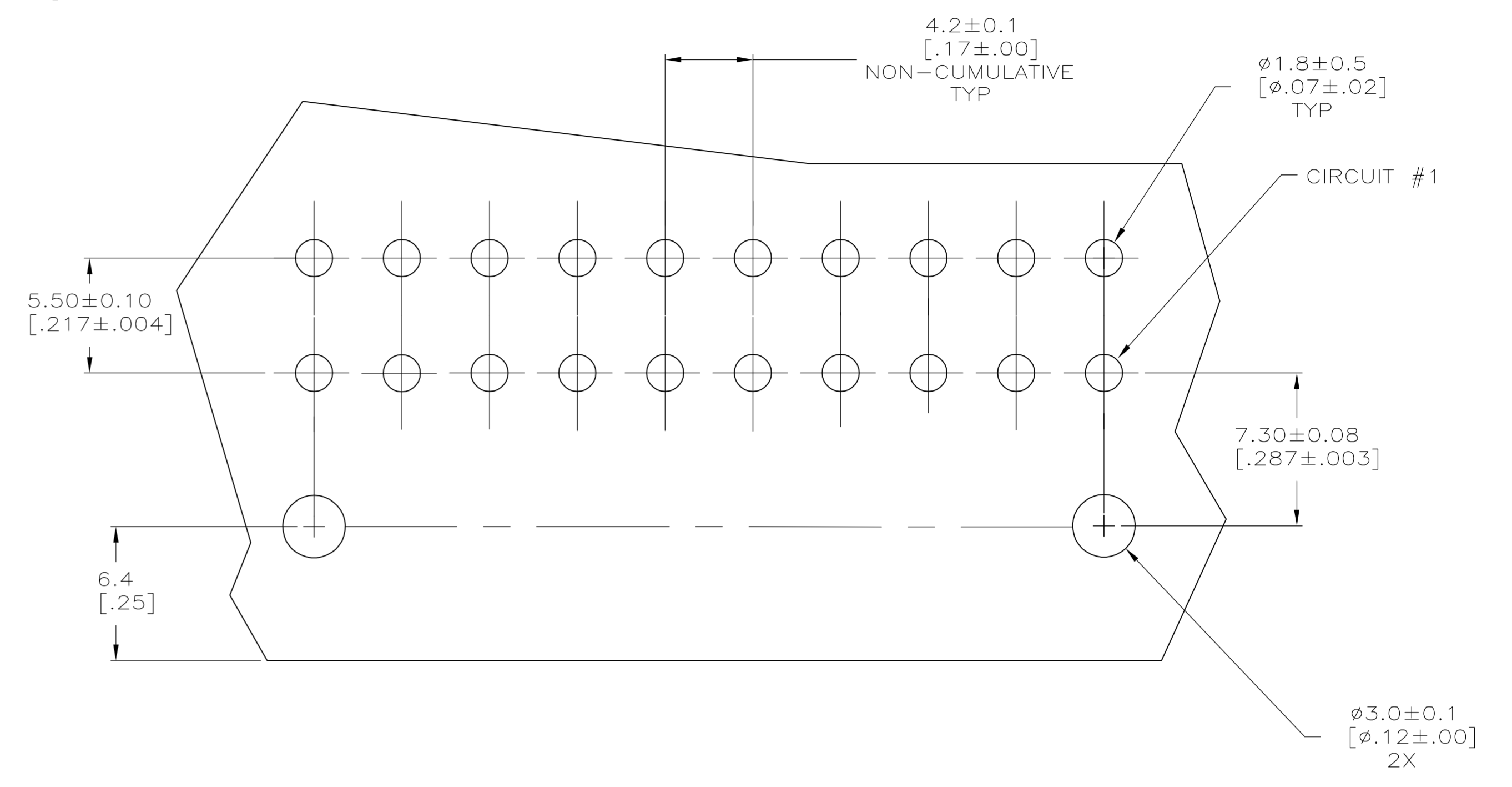
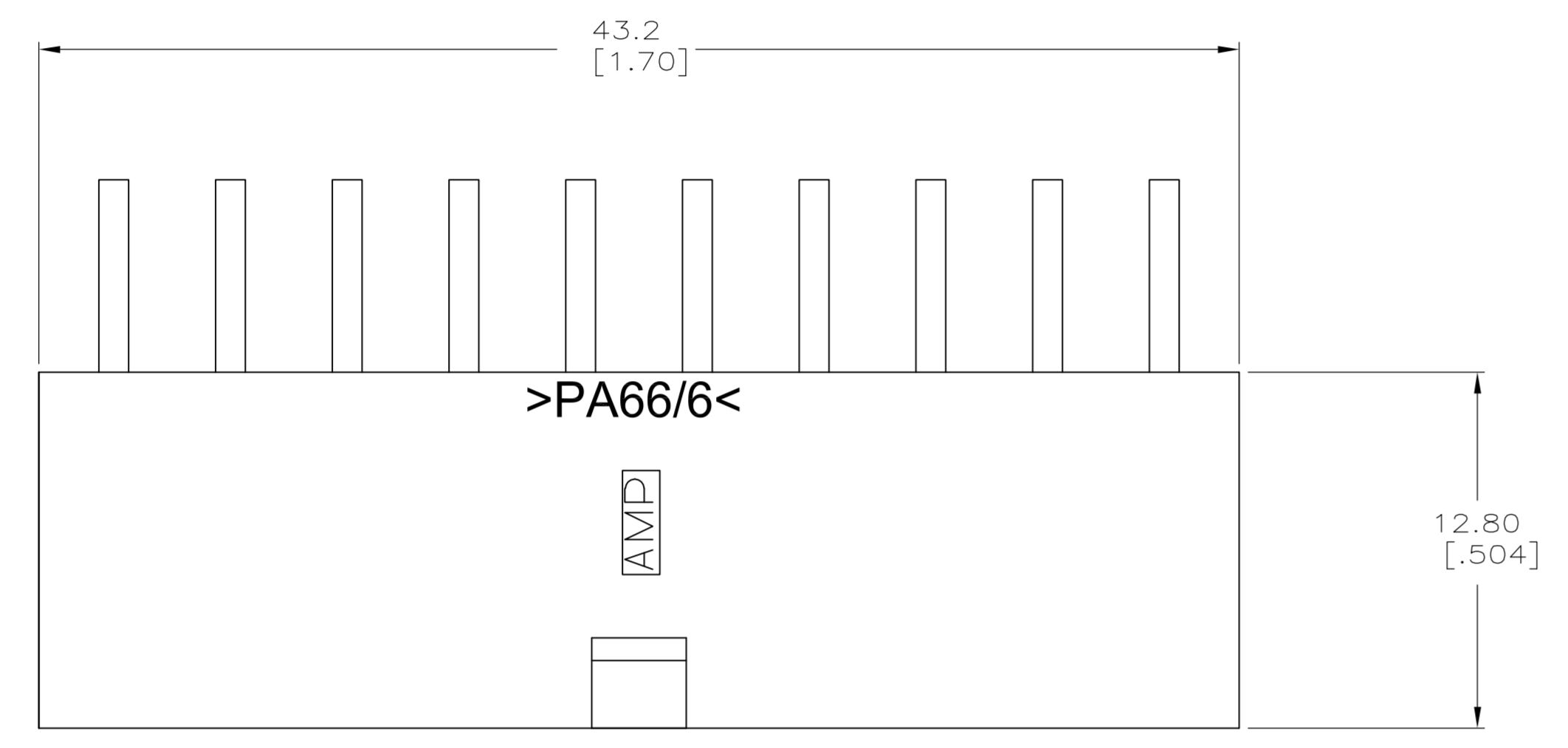
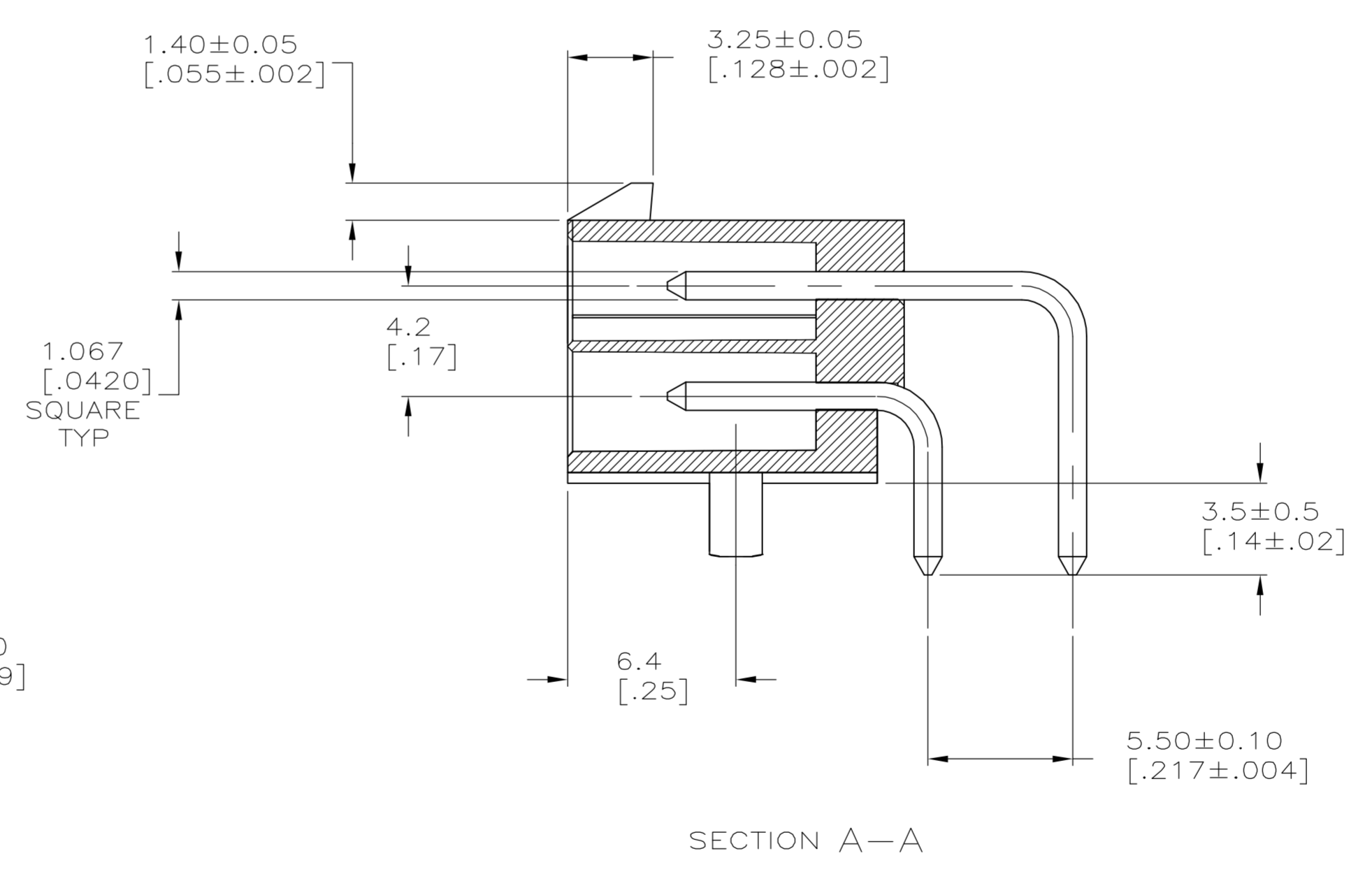
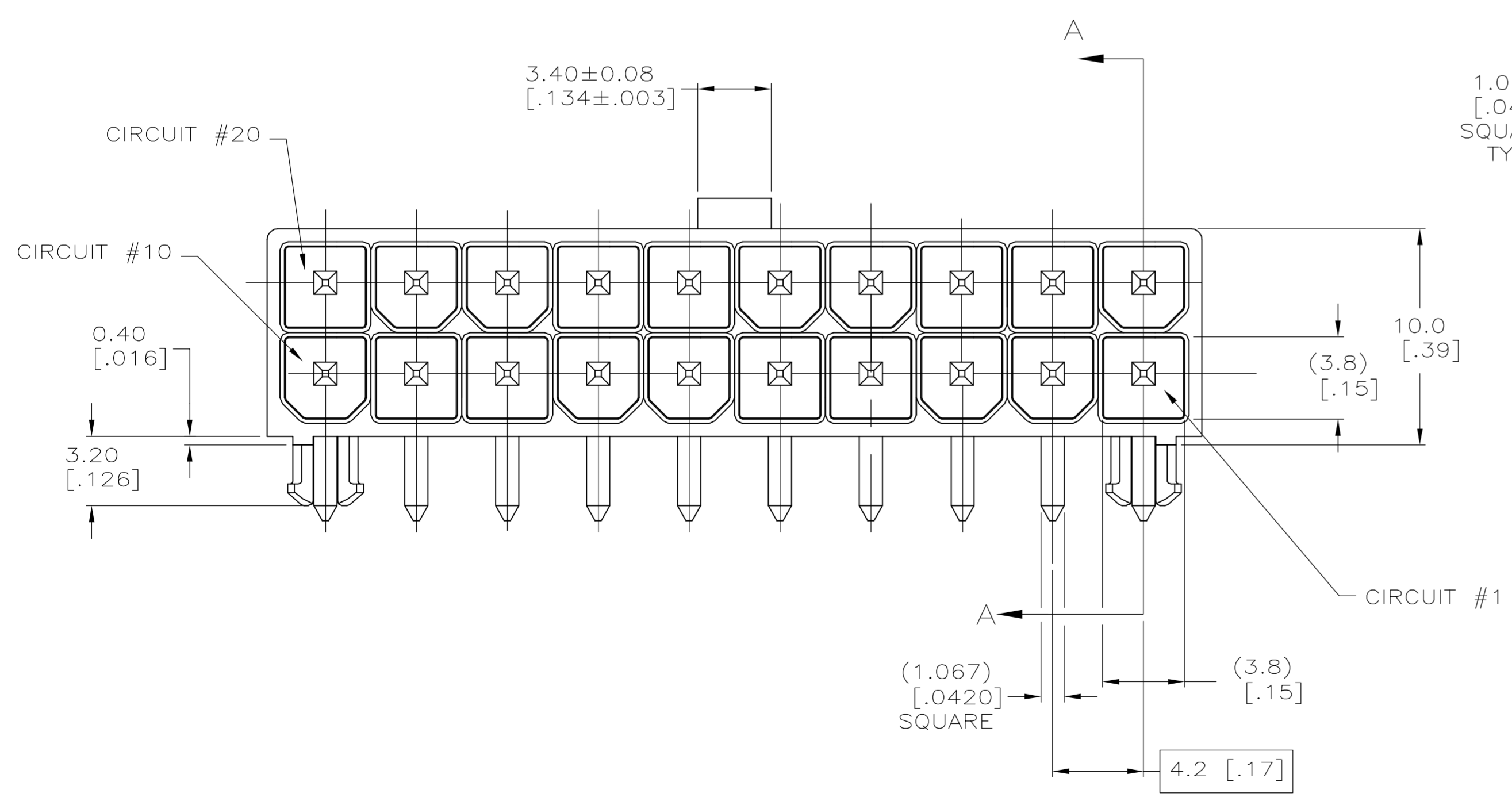


- 1 MATERIAL: HOUSING - NYLON, UL94V-0 (COLOR - WHITE).
PIN - 1.067mm² [.0017in²] COPPER ALLOY.
- 2 PINS TO COMPLY WITH SOLDERABILITY SPEC 109-11-3.
- 3 0.00381 [.000150] MINIMUM TIN LEAD OVER 0.00127 [.000050] MINIMUM NICKEL, ENTIRE LENGTH OF PIN.
- 4 NOTE DELETED.
- 5 0.00381 [.000150] MINIMUM TIN OVER 0.00127 [.000050] MINIMUM NICKEL, ENTIRE LENGTH OF PIN.



RECOMMENDED MOUNTING HOLE PATTERN FOR 1.78 [.070] MAX THICK P.C. BOARD COMPONENT SIDE SHOWN



SUPERSEDED BY 1-794534-1

1	5	1	1	1-794534-1
1	3	1	1	794534-1
MATERIAL		FINISH		ASSEMBLY
PIN		HOUSING		

METRIC

THIS DRAWING IS A CONTROLLED DOCUMENT.

DIMENSIONS:	TOLERANCES UNLESS OTHERWISE SPECIFIED:	DWN S. HOOVER 02-MAR-2005	Tyco Electronics Corporation Harrisburg, Pa 17105-3608
mm [INCHES]	0 PLC ± .02 [0.1] 1 PLC ± .02 [0.1] 2 PLC ± .013 [0.05] 3 PLC ± .013 [0.05] 4 PLC ± .013 [0.05] ANGLES ± 30°	CHK D. COLEY 02-MAR-2005	
MATERIAL SEE CHART	FINISH SEE CHART	APVD D. COLEY 02-MAR-2005	NAME
		PRODUCT SPEC: 108-1646 APPLICATION SPEC: 114-6067 SIZE: A1 CASE CODE: 00779 DRAWING NO: 794534 WEIGHT: CUSTOMER DRAWING SCALE: 5:1 SHEET 1 OF 1 REV C	