

THIS DRAWING IS UNPUBLISHED.

RELEASED FOR PUBLICATION

,19

© COPYRIGHT 19

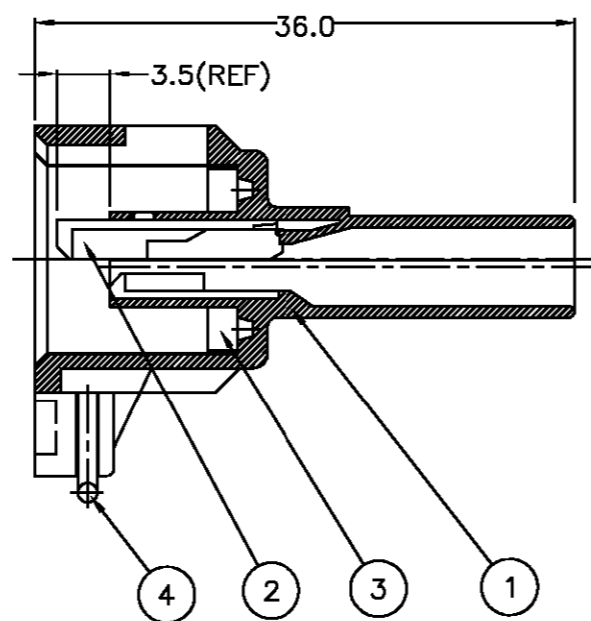
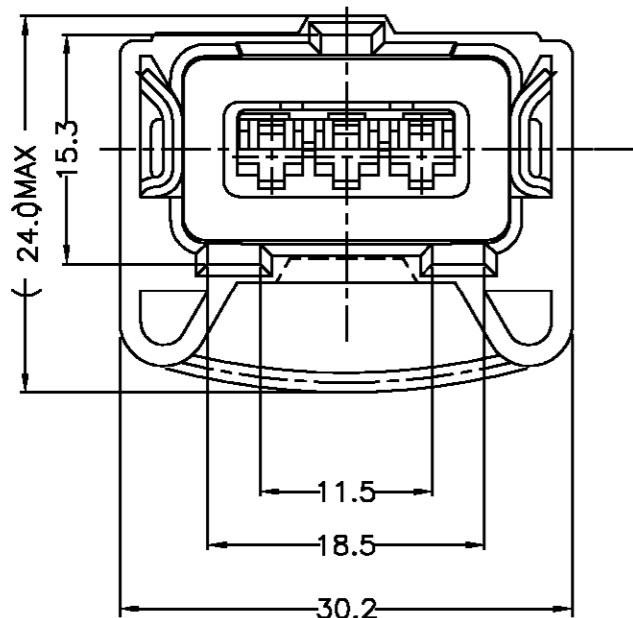
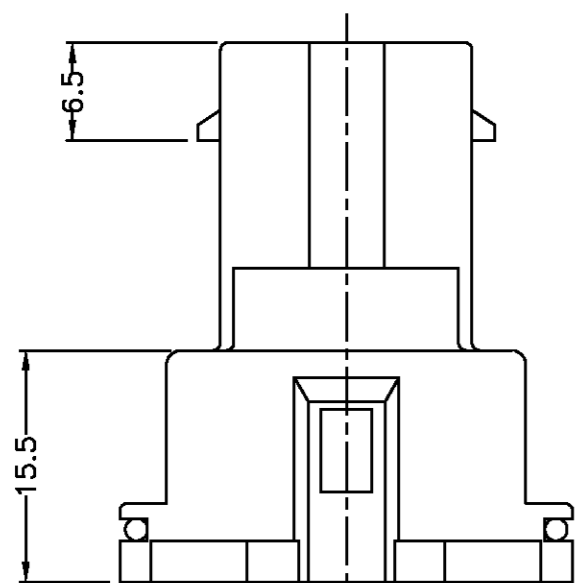
BY AMP INCORPORATED. ALL RIGHTS RESERVED.

LOC DS

DIST

REVISIONS

P	LTR	DESCRIPTION	DATE	DWN	APVD
	0	RELEASED (FC00-0066-99)	'99 2/JUN	YD	CS



\* NOTES \*

- 1. APPLICABLE CONTACT P/NO: 927770 / 927766
- 2. APPLICABLE WIRE SEAL P/NO: 828904 / 828905 / 368064

P/NO	DESCRIPTION
368356-1	JPT 3P ASS'Y FOR CLIP

NO	P/NO	DESCRIPTION	MATERIAL	COLOR	Q'TY
4	85388-1	SPRING	SUS 304	<del>X</del>	1
3	85384-1	SEAL RUBBER	SILICONE	ORANGE	1
2	85207-1	SPACER	PBT	YELLOW	1
1	368357-1	JPT 3P HSG FOR CLIP	PBT 30% GF	BLACK	1

THIS DRAWING IS A CONTROLLED DOCUMENT FOR AMP INCORPORATED. IT IS SUBJECT TO CHANGE AND THE CONTROLLING ENGINEERING ORGANIZATION SHOULD BE CONTACTED FOR THE LATEST REVISION.

DIMENSIONS: MM		TOLERANCES UNLESS OTHERWISE SPECIFIED: 0<XX<10 ± 0.2 10<XX<30 ± 0.25 30<XX<100 ± 0.3 ANGLES ± 3°		DWN		AMP KOREA. kyungsan, korea	
3rd ANGLE PROJECTION		MATERIAL		CHK		NAME	
FINISH		WEIGHT		APVD		JPT 3P ASS'Y FOR CLIP	
		6.30g		PRODUCT SPEC		SIZE	
				APPLICATION SPEC		CAGE CODE	
				108-61000		DRAWING NO	
				114-18018		A3 00779	
				WEIGHT		SCALE	
						2/1	
						SHEET 1 OF 1	
						REV 0	