



1 to 30 dB Step Attenuator With a 1 dB Step N Female Connectors Rated Up To 3 GHz and Up to 2 Watts in a Dial Design

RF Step Attenuators Technical Data Sheet

PE70A1036

Features

- 1 dB steps from 1 to 30 dB Attenuation
- Rotary Dial Control
- N Female Connectors
- -20°C to +85°C Operating Temperature
- ±1.5 dB Attenuation Accuracy Max

Applications

- Instrumentation
- Precision Measurements
- Prototyping and Characterization
- Production Systems

Description

The PE70A1036 is a Step Attenuator that has 30 dB of total attenuation with 1 dB step size and rotary dial design across a frequency range from DC to 3 GHz. The design is tried and true technology that offers exceptional performance characteristics that include a maximum VSWR of 1.5:1 at 3 GHz. The design also features excellent attenuation accuracy with ±1.5 dB max at 3 GHz. The Aluminum alloy package has SMA Female connectors, and operates within the temperature range of -20°C to 85°C.

Electrical Specifications

Description	Minimum	Typical	Maximum	Units
Frequency Range	DC		3	GHz
Impedance		50		Ohms
Attenuation Value		1 to 30		dB
Step Size		1		dB
Step Type		Dial		
Input Power (CW)			2	Watts
Input Power, Peak			100	Watts
VSWR			1.5:1	

Specifications by Frequency

Description	F1	F2	F3	F4	F5	Units
Range	DC to 3					GHz
Attenuation Accuracy	1.5					dB

Click the following link (or enter part number in "SEARCH" on website) to obtain additional part information including price, inventory and certifications: [1 to 30 dB Step Attenuator With a 1 dB Step N Female Connectors Rated Up To 3 GHz and Up to 2 Watts in a Dial Design PE70A1036](#)



1 to 30 dB Step Attenuator With a 1 dB Step N Female Connectors Rated Up To 3 GHz and Up to 2 Watts in a Dial Design

RF Step Attenuators Technical Data Sheet

PE70A1036

Mechanical Specifications

Size

Length	4.72 in [119.89 mm]
Width	1.12 in [28.45 mm]
Height	2.03 in [51.56 mm]
Weight	1 lbs [453.59 g]

Connectors

Description	Connector 1	Connector 2
Type	N Female	N Female
Contact Material and Plating	Beryllium Copper, Gold	
Body Material and Plating	Brass, Silver	Brass, Nickel

Environmental Specifications

Temperature

Operating Range	-20 to 85 deg C
-----------------	-----------------

Compliance Certifications (see [product page](#) for current document)

Plotted and Other Data

Notes:

1 to 30 dB Step Attenuator With a 1 dB Step N Female Connectors Rated Up To 3 GHz and Up to 2 Watts in a Dial Design from Pasternack Enterprises has same day shipment for domestic and International orders. Our RF, microwave and millimeter wave products maintain a 99.4% availability and are part of the broadest selection in the industry.

Click the following link (or enter part number in "SEARCH" on website) to obtain additional part information including price, inventory and certifications: [1 to 30 dB Step Attenuator With a 1 dB Step N Female Connectors Rated Up To 3 GHz and Up to 2 Watts in a Dial Design PE70A1036](#)

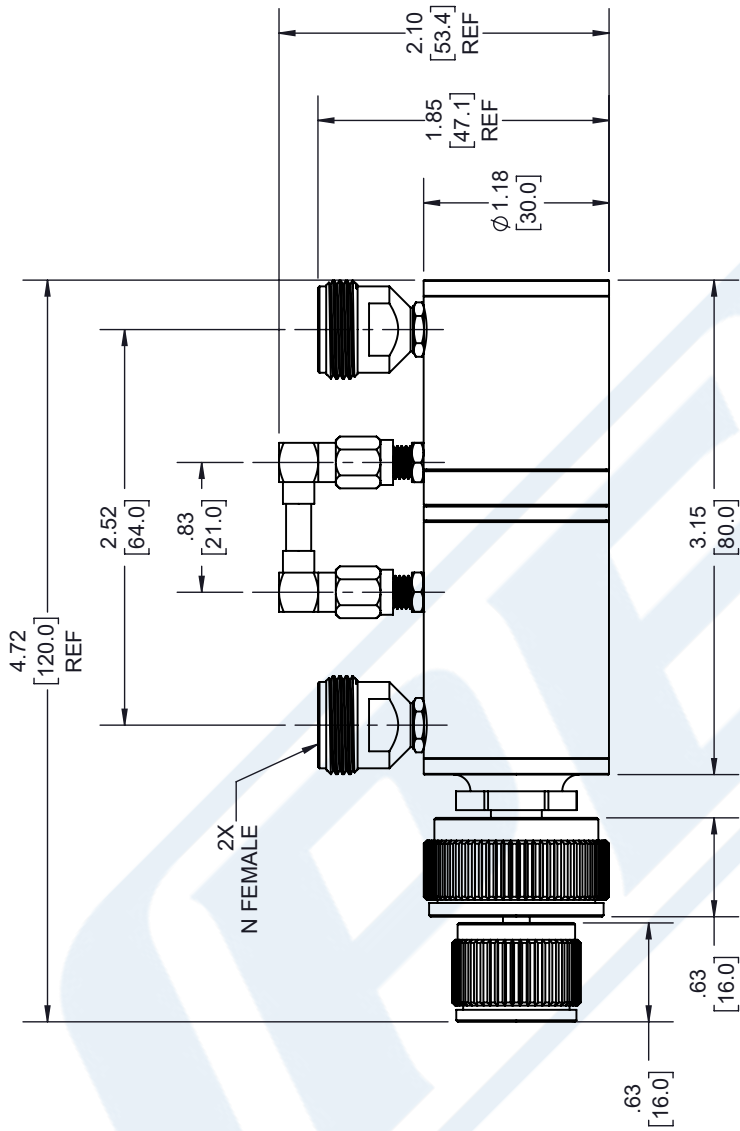
URL: <https://www.pasternack.com/30db-step-n-female-n-female-2-watts-attenuator-pe70a1036-p.aspx>

The information contained in this document is accurate to the best of our knowledge and representative of the part described herein. It may be necessary to make modifications to the part and/or the documentation of the part, in order to implement improvements. Pasternack reserves the right to make such changes as required. Unless otherwise stated, all specifications are nominal. Pasternack does not make any representation or warranty regarding the suitability of the part described herein for any particular purpose, and Pasternack does not assume any liability arising out of the use of any part or documentation.

PE70A1036 CAD Drawing

1 to 30 dB Step Attenuator With a 1 dB Step N Female Connectors
Rated Up To 3 GHz and Up to 2 Watts in a Dial Design

REVISIONS		
REV.	DESCRIPTION	DATE
A	INITIAL RELEASE	4/14/2022
		APPROVED
		S. PONG



THIRD-ANGLE PROJECTION

THE INFORMATION AND DESIGN IN THIS DOCUMENT IS THE PROPERTY OF PASTERNAK CORPORATION ALL RIGHTS RESERVED.

SHEET 1 OF 1

SCALE N/A

REV A

PE PASTERNAK
an INFINIT brand

Pasternack Enterprises, Inc.
P. O. Box 16759, Irvine, CA 92623.
Phone: 1.949.261.1920 | 1.866.727.8376
Fax: 1.949.261.7451
Website: www.pasternack.com
E-mail: sales@pasternack.com

UNLESS OTHERWISE SPECIFIED LEADING DIMENSIONS ARE INCHES DIMENSIONS IN [] ARE MILLIMETERS

TOLERANCES:

FRACTIONS: X = ±.2 [5.08] ±.005 [0.127] ±.002 [0.051] ±.001 [0.0254]

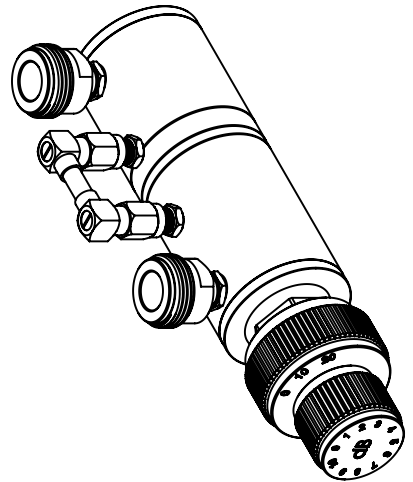
ANGLES ± 1°

CABLE LENGTH (L), TOLERANCES:

L ≤ 12 [305] = +1 [25] / -0
12 [305] < L ≤ 60 [1524] = +2 [51] / -0
60 [1524] < L ≤ 120 [3048] = +4 [102] / -0
120 [3048] < L ≤ 300 [7620] = +6 [152] / -0
300 [7620] < L = +5% / -0

ALL DIMENSIONS SHOWN ARE FOR REFERENCE ONLY.

SIZE A CAGE CODE 53919 DRAWN BY K.DANG ITEM NO. PE70A1036



THESE COMMODITIES, TECHNOLOGY OR SOFTWARE WERE EXPORTED FROM THE UNITED STATES IN ACCORDANCE WITH THE EXPORT ADMINISTRATION REGULATIONS. DIVERSION CONTRARY TO U.S. LAW PROHIBITED.