

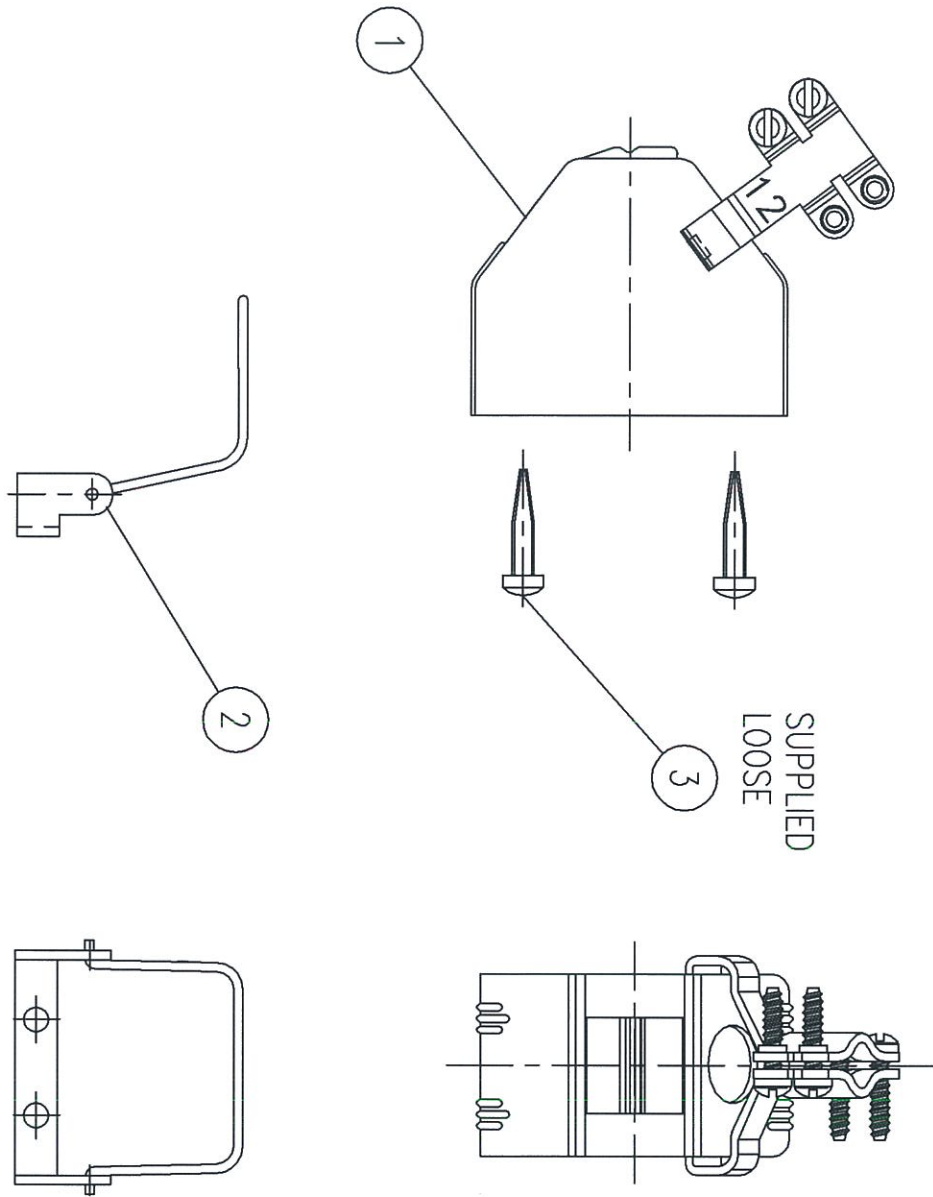


IF IN DOUBT - ASK

ALL DIMENSIONS ARE IN mm

ROHS COMPLIANT

CUSTOMER DRAWING.



SUPPLIED LOOSE

THIS DRAWING IS COPYRIGHT AND IS ISSUED ON CONDITION IT IS NOT COPIED, REPRODUCED OR DISCLOSED TO A THIRD PARTY WITHOUT THE CONSENT IN WRITING OF CINCH CONNECTORS LTD. ATTENTION IS DRAWN TO THE FACT THAT THE ARTICLE DISCLOSED MAY BE COVERED BY BRITISH OR FOREIGN PATENTS, GRANTED OR PENDING OR REGISTERED DESIGN.

				APP'D					GENERAL TOLERANCE 2 DECIMAL PLACES ± 0.10 1 DECIMAL PLACE ± 0.20 NO DECIMAL PLACE ± 0.50 ANGULAR ± 1' 0.18 MAX TOOLING RAD.	TITLE 12 WAY MOULD SHELL ASSEMBLY AND SPRING CLIP ASSY			
				DATE	12.09.13					DRN. JMADELEY	DATE 12.09.13	SCALE	CHD JNM
				MOD No.						RAW MATERIAL			
				ISSUE	A					FINISHED HARDNESS			
										FINISHED TREATMENT			
										FINISHED COLOUR			
CODE	DESCRIPTION	ITEM	FINISH	No. OFF	ISSUE								
	SCREW	3	ZINC PLATE	4									
	SPRING CLIP ASSY	2		1									
	SHELL ASSY	1		1									