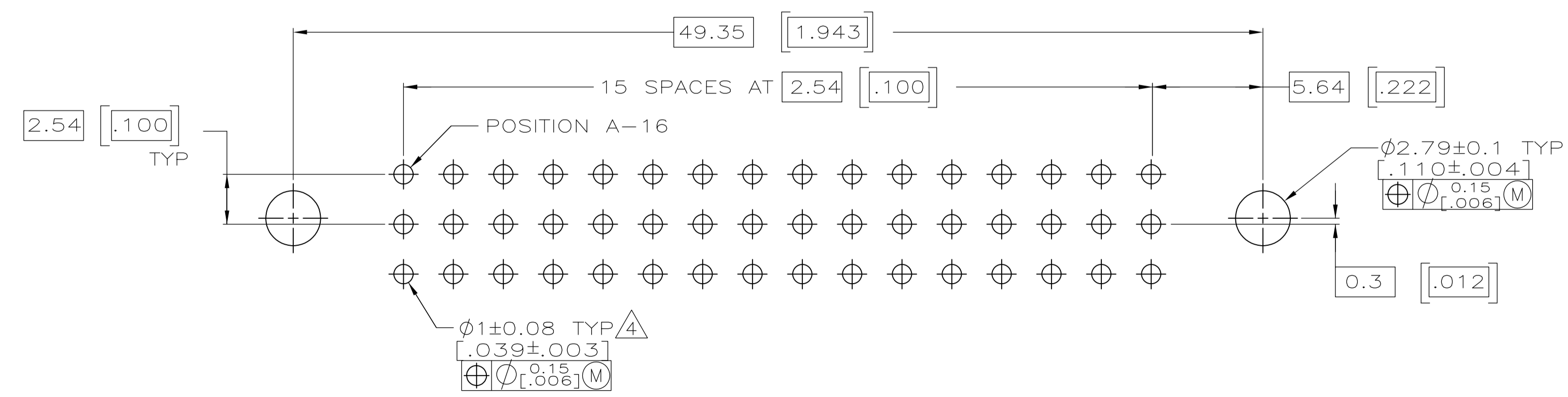
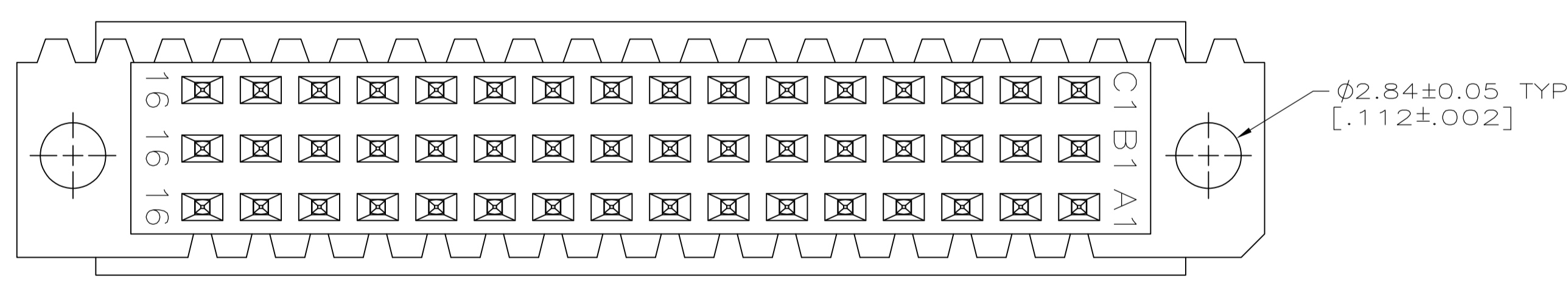
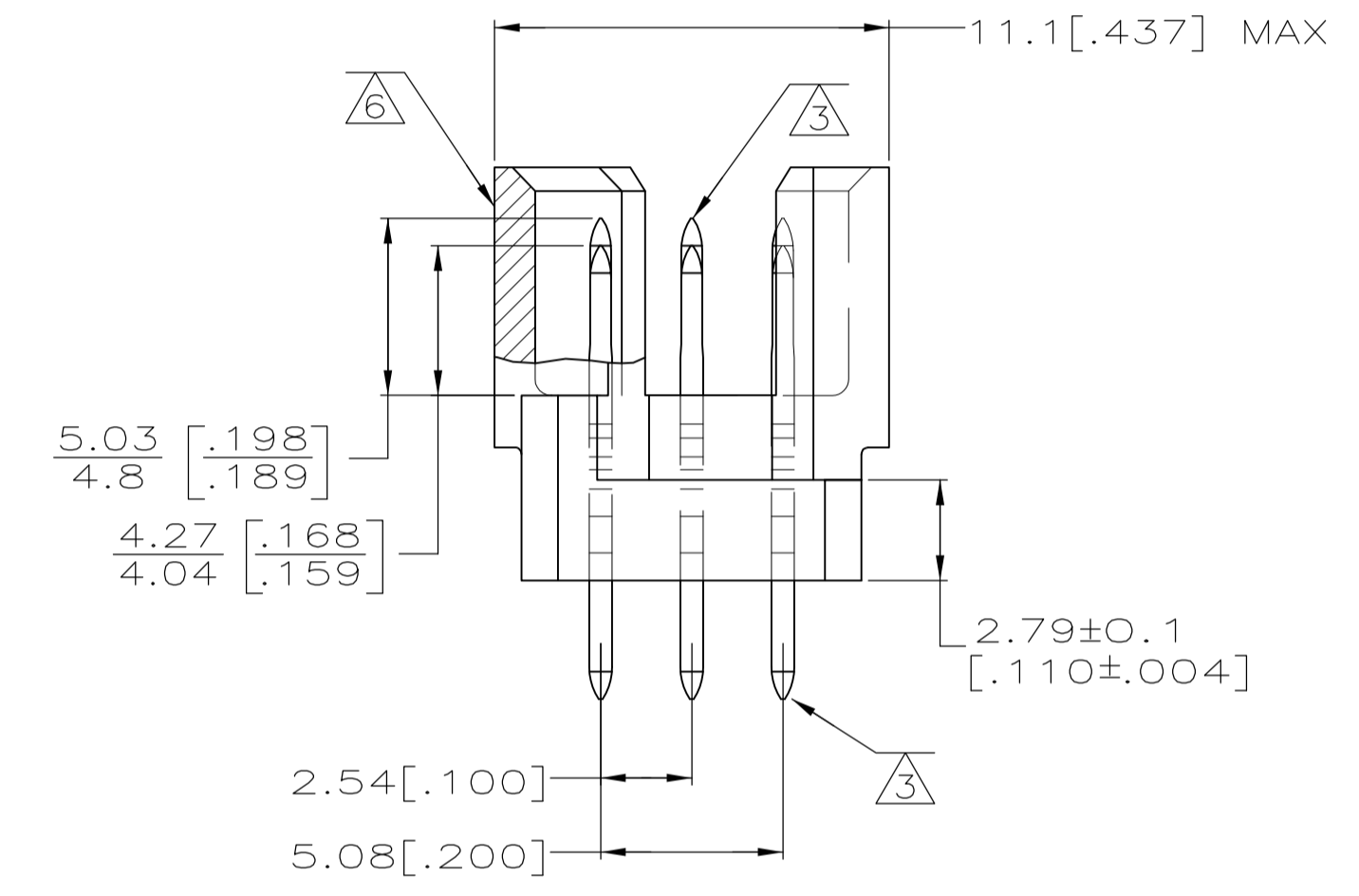
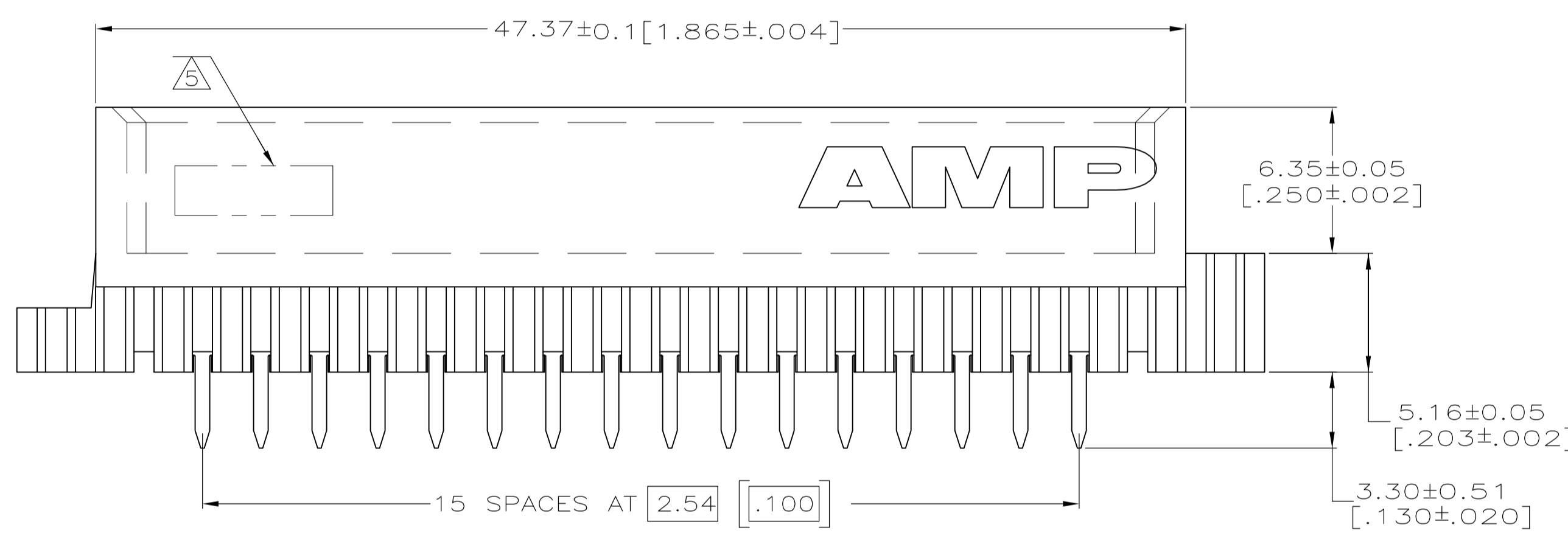
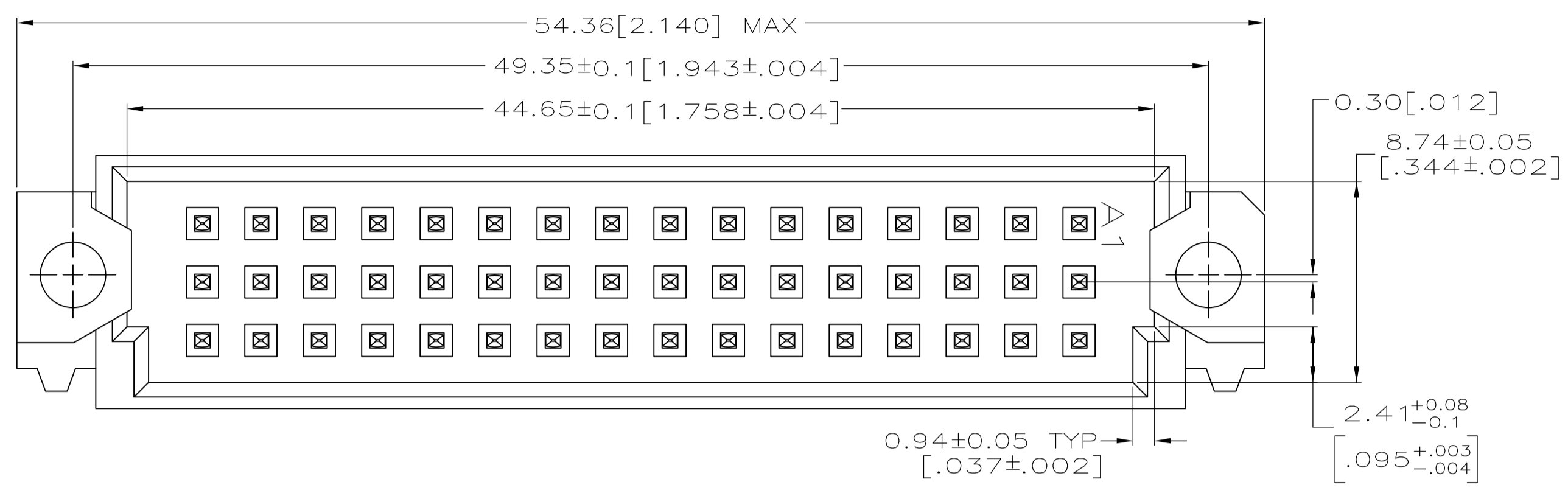


- 1 HOUSING MATERIAL: GLASS-FILLED POLYMER.
- 2 POST MATERIAL: COPPER ALLOY.
- 3 POST FINISH: DIN 41612 CLASS 2 IN CONTACT AREA. TIN PLATE ON POSTS.
- 4 RECOMMENDED HOLE SIZE FOR MANUAL APPLICATION OF CONNECTOR ONTO PC BOARD.
- 5 PART NUMBER, DATE CODE MARKED THIS APPROXIMATE AREA.
- 6 MARKINGS ON THIS SIDE.



PC BOARD LAYOUT

4 & 14	1-3, 5-13, 15-16	X	-	-	16	5148474-1
NONE	1-16	-	X	-	16	
NONE	1-16	-	-	X	16	
POSITIONS LOADED WITH 4.93[.194] CONTACTS	POSITIONS LOADED WITH 4.16[.164] CONTACTS	C	B	A	NO. OF LOADED POSITIONS	PART NUMBER
THIS DRAWING IS A CONTROLLED DOCUMENT.		DIN J. POLIGNONE DSMAYOS		Tyco Electronics Corporation Harrisburg, Pa 17105-3608		
DIMENSIONS: mm [INCHES]		TOLERANCES UNLESS OTHERWISE SPECIFIED:		APVD A. SHARPE DSMAYOS NAME ASSEMBLY, PIN, EUROCARD, TYPE 1/2R, 48 POSITION, .130 SOLDER POST, WITH MFBL CONTACTS		
0 PLC ± -		1 PLC ± -		SIZE CAGE CODE DRAWING NO RESTRICTED TO		
2 PLC ± 0.13[.005]		3 PLC ± -		A1 00779 C=5148474		
4 PLC ± -		ANGLES ± -		WEIGHT -		
MATERIAL 1 2		FINISH 3		CUSTOMER DRAWING SCALE 5:1 SHEET 1 OF 1 REV 01		