

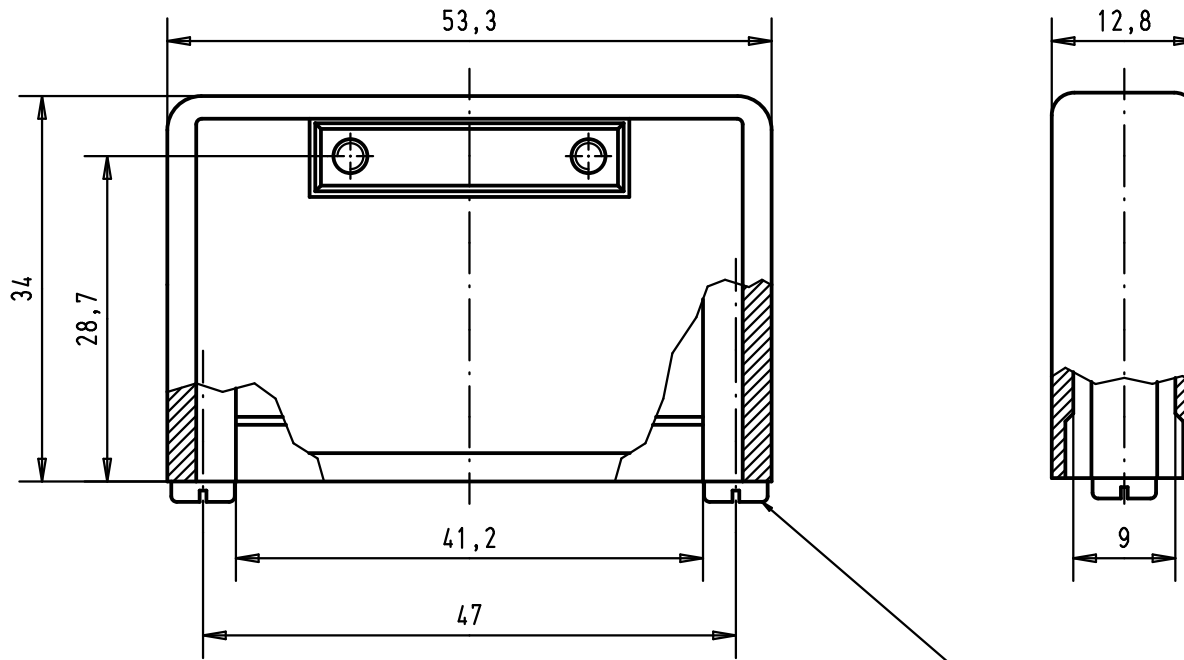
5

4

3

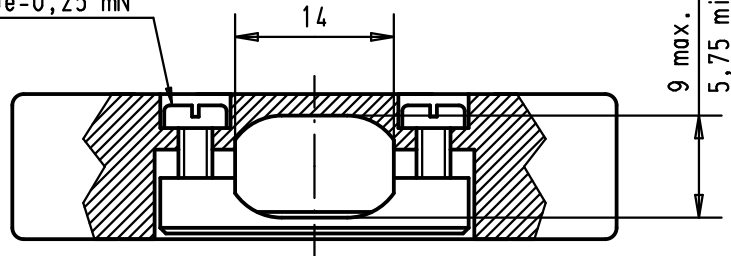
2

1



Slotted pan head tapping screws
DIN 7971-ST 2,2x9,5-F
Maximum screwing torque=0,25 mN

Slotted pan head tapping screws
DIN 7971-ST 2,9x6,5-F
screwing torque=35Ncm +/-5Ncm





D

C

B

A

					Det.	Name	 All Dim. in mm Orig. Size DIN A 4	D-Sub, Hood 25 poles, for spring or slide locking, top cable entry	Maßstab/ Scale	
					Detail.	28-MAR-02			CV	1.5:1
					Insp.	25-MAY-11			JMDV	
					Stand.					
09 67 025 0413	Thermoplastic metallized	EC03223	25-MAY-11	SD	HARTING EURL F-95972 Paris 			TB 0967025041x	Blatt/ Page	
09 67 025 0411	Thermoplastic grey RAL 7032	29760	28-MAR-02	CV				1		
Part number	Material	Mod.	Det.	Name				Sub.		