

Customer Information Sheet

DRAWING No.: M22-634XX42

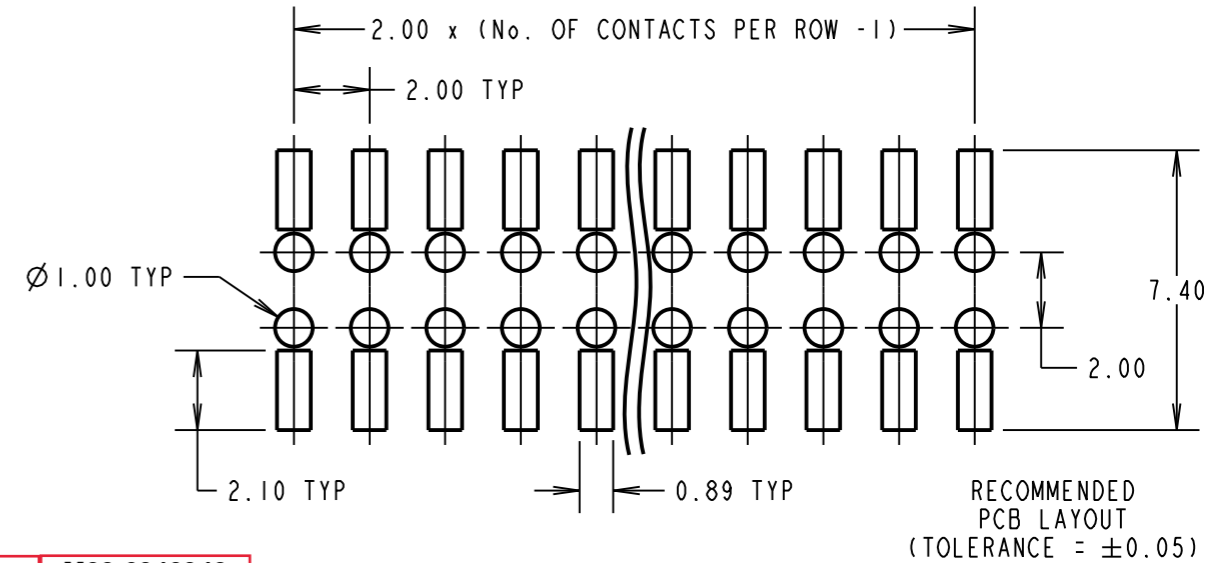
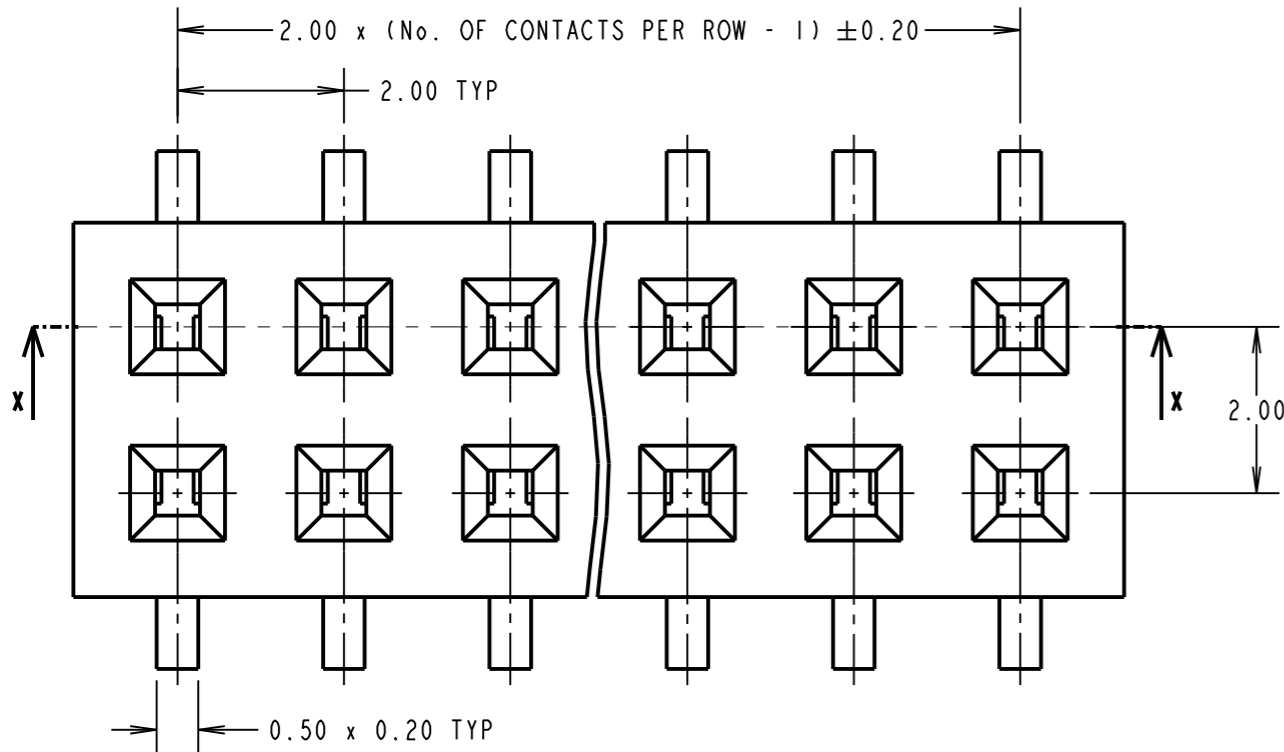
IF IN DOUBT - ASK

©

NOT TO SCALE

THIRD ANGLE PROJECTION

ALL DIMENSIONS IN mm

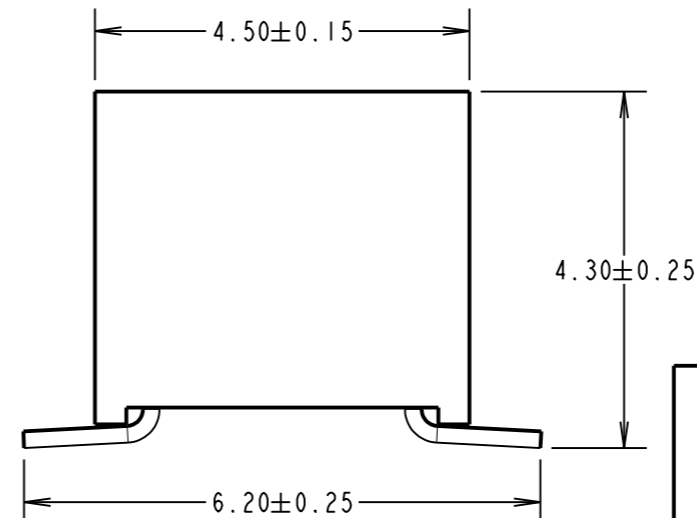
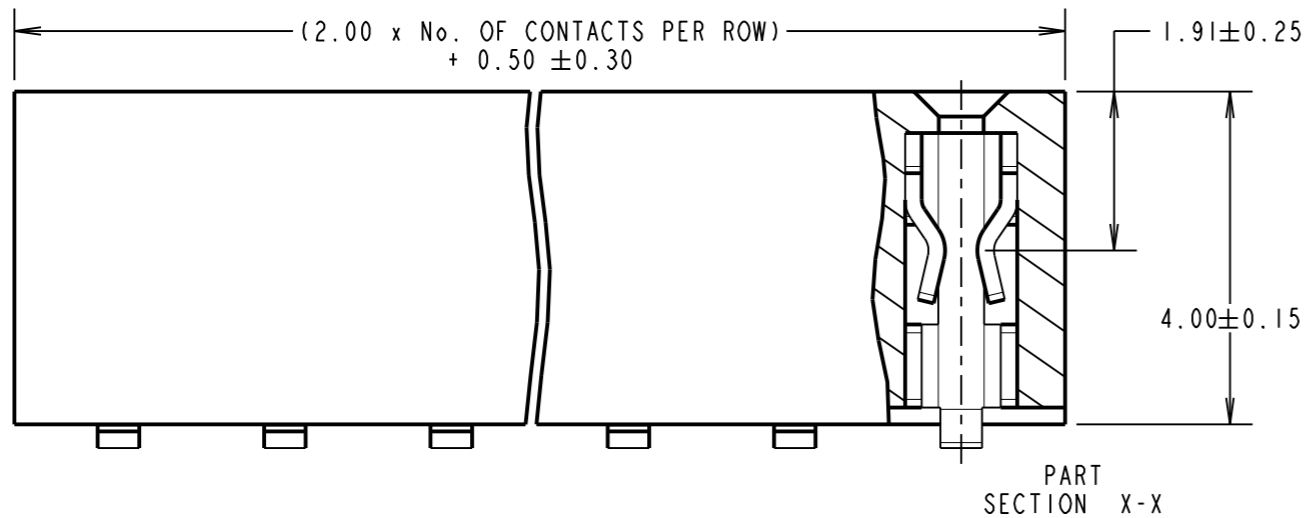


Active products:

- M22-6340342
- M22-6340442
- M22-6340542
- M22-6340642
- M22-6340742
- M22-6341042
- M22-6341742
- M22-6342042

OBSOLETE
All other size/finish combinations not listed above

SPECIFICATIONS:
MATERIAL:
 MOULDING = PA9T, UL94V-0, BLACK
 CONTACT = PHOSPHOR BRONZE
FINISH:
 NICKEL ALL OVER, 100% TIN ON TAILS, GOLD FLASH ON CONTACT AREA.
ELECTRICAL:
 CURRENT RATING = 2A
 INSULATION RESISTANCE = 1000MΩ MIN.
 CONTACT RESISTANCE = 20mΩ MAX.
 VOLTAGE PROOF = 500V AC
MECHANICAL:
 INSERTION FORCE = 1.96N MAX
 WITHDRAWAL FORCE = 0.20N MIN.
 DURABILITY = 300 CYCLES
ENVIRONMENTAL:
 OPERATING TEMPERATURE = -40°C TO +105°C
PACKING:
 TUBE
 FOR COMPLETE MECHANICAL/ELECTRICAL SPECIFICATION, SEE COMPONENT SPECIFICATION CO18XX (LATEST ISSUE)



ORDER CODE: **M22-634XX42**

No. OF CONTACTS PER ROW: _____
03 TO 20

FINISH: _____
42 = SELECTIVE GOLD + 100% TIN

MSP	16	14.08.17	20547
NAME	ISS.	DATE	C/NOTE
APPROVED:		M.PERREN	
CHECKED:		S.BENNETT	
DRAWN:		W.J.BOURNE	
CUSTOMER REF.:			
ASSEMBLY DRG:			

NOTES:
1. COPLANARITY OF CONTACTS TO BE 0.10mm MAX.

HARWIN
www.harwin.com
technical@harwin.com

THIS DRAWING AND ANY INFORMATION OR DESCRIPTIVE MATTER SET OUT HEREON ARE CONFIDENTIAL AND COPYRIGHT PROPERTY OF THE HARWIN GROUP AND MUST NOT BE DISCLOSED, LOANED, COPIED OR USED FOR MANUFACTURING, TENDERING OR FOR ANY OTHER PURPOSE WITHOUT THEIR WRITTEN PERMISSION.

TOLERANCES
 X. = ±1mm
 X.X = ±0.25mm
 X.XX = ±0.10mm
 X.XXX = ±0.01mm
 ANGLES = ±5°
 UNLESS STATED

MATERIAL: SEE ABOVE
FINISH: SEE ABOVE
S/AREA: mm²

TITLE: 2mm PITCH DIL SMT LOW PROFILE SKT ASSEMBLY
DRAWING NUMBER: M22-634XX42
 SHT 2 OF 2