



Technical specification :

Rated voltage: 4/3pos
IEC 61076-2-104 60 V

Current rating: 3 A at 40°C
IEC 61076-2-104

Insulation resistance: >=100 MΩ
IEC 60512

Pollution degree: 3/2
IEC 60664-1

Degree of protection: IP 67, in mated condition
IEC 60529

Temperature range: -30°C ... +80°C
IEC 60664-1

Mating cycles: >=100
IEC 60512-9a

Materials:

Contact: CuZn

Contact plating: Nickel, gold plated

Contact carrier: TPU GF, UL 94

Sealing: FPM

Coupling nut/ screw: GD-Zn, nickel plated

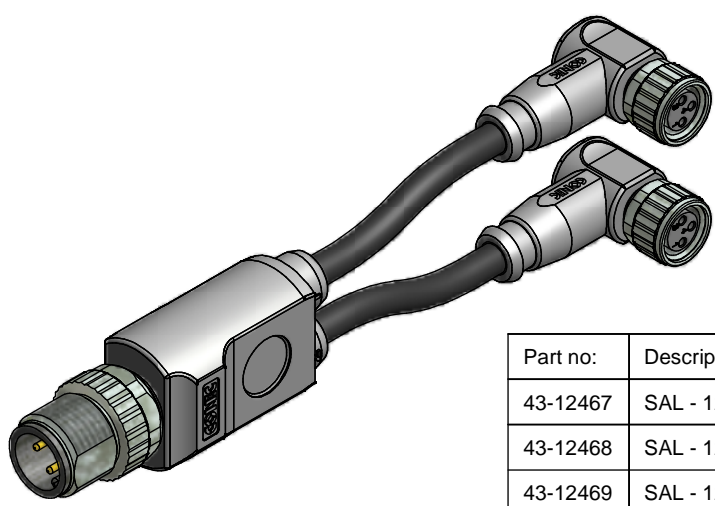
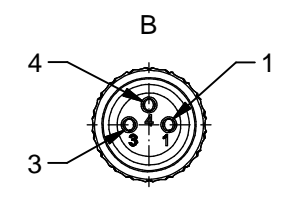
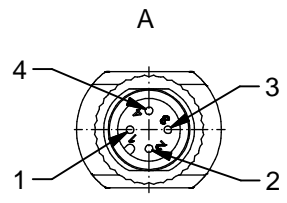
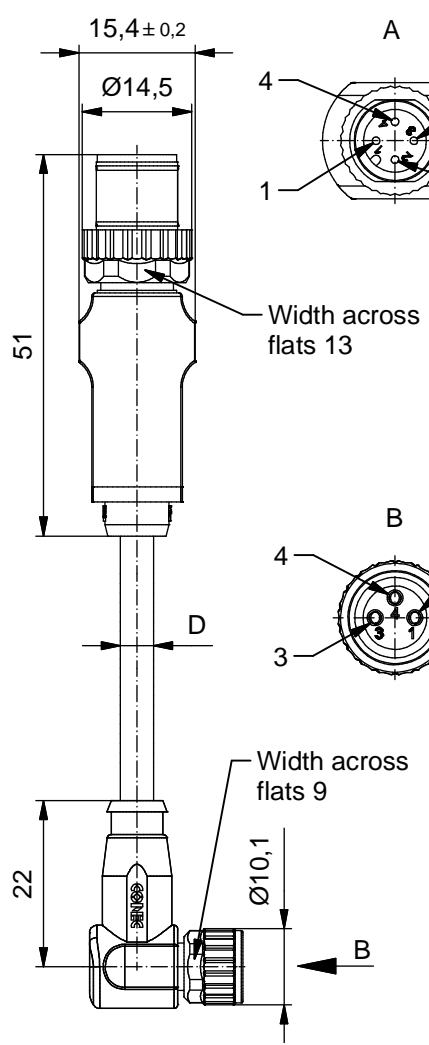
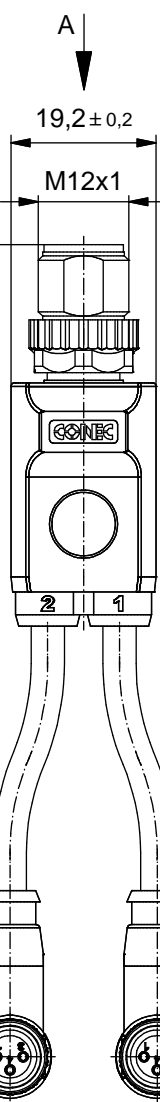
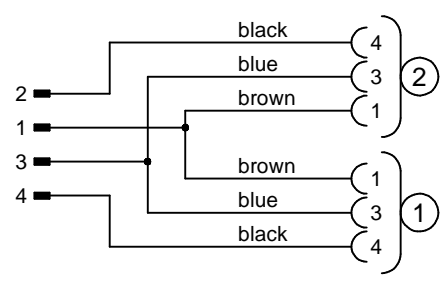
Moulding body: TPU, UL 94, grey

Installation specification:

Recommended torque: 0,6 Nm at width across flats 13
0,4 Nm at width across flats 9

Conec installation tool: Torque wrench: 36-000200
Insert across flats 13: 36-000220
Insert across flats 9: 36-000210

Contact assignment 4/3pos:



| Part no: | Description: | Length L: | Cable: |
|----------|---|-----------|--|
| 43-12467 | SAL - 12 - DS4 - 8 - 2RKW3 - 0,3 / 0,3 / K1 | 0,3m | TPE, UL 20549, black, 3x0,25mm ² Cable: 781-K12300 |
| 43-12468 | SAL - 12 - DS4 - 8 - 2RKW3 - 0,6 / 0,6 / K1 | 0,6m | |
| 43-12469 | SAL - 12 - DS4 - 8 - 2RKW3 - 1,5 / 1,5 / K1 | 1,5m | |
| 43-12470 | SAL - 12 - DS4 - 8 - 2RKW3 - 3 / 3 / K1 | 3,0m | |
| 43-xxxxx | SAL - 12 - DS4 - 8 - 2RKW3 - ... / ... / K1 | x | |

D see data sheet cable

| | | | | | |
|---|--|------------|--|---------|------------------|
| DO NOT ALTER CAD DRAWING BY HAND Directive 2002/95/EC RoHS compliant | Index: c 17.08.11 VF Ä3767 Coupling nut/ screw modified, spanner flats added, data sheet modified | dim. in mm | title: Duo-distributor, male connector M12x1 axial - 2x female connector M8x1 angled | | |
| | | | date | name | dwg no: 43K1A789 |
| | tolerance of cable: L ≤ 4m: L + 40mm L > 4m: L + 1% | drawn | 22.10.08 | Mankopf | |
| | general tolerance: 0 ± 0,50mm 0,0 ± 0,25mm 0,00 ± 0,10mm | appd. | 22.10.08 | Fromm | |
| | THIS DRAWING MAY NOT BE COPIED OR REPRODUCED IN ANY WAY, AND MAY NOT BE PASSED ON TO A THIRD PARTY WITHOUT WRITTEN PERMISSION. OWNERSHIP AND COPYRIGHT OF CONEC GmbH | | | | |

