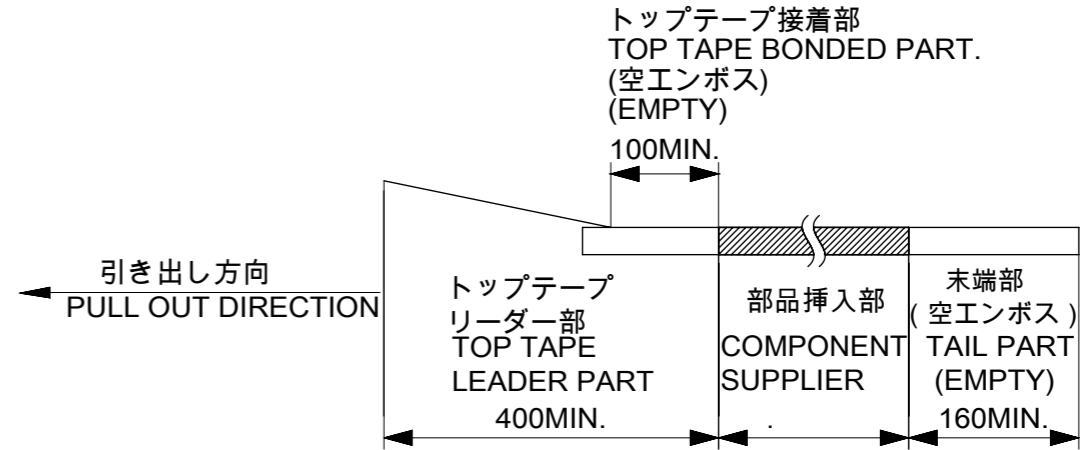
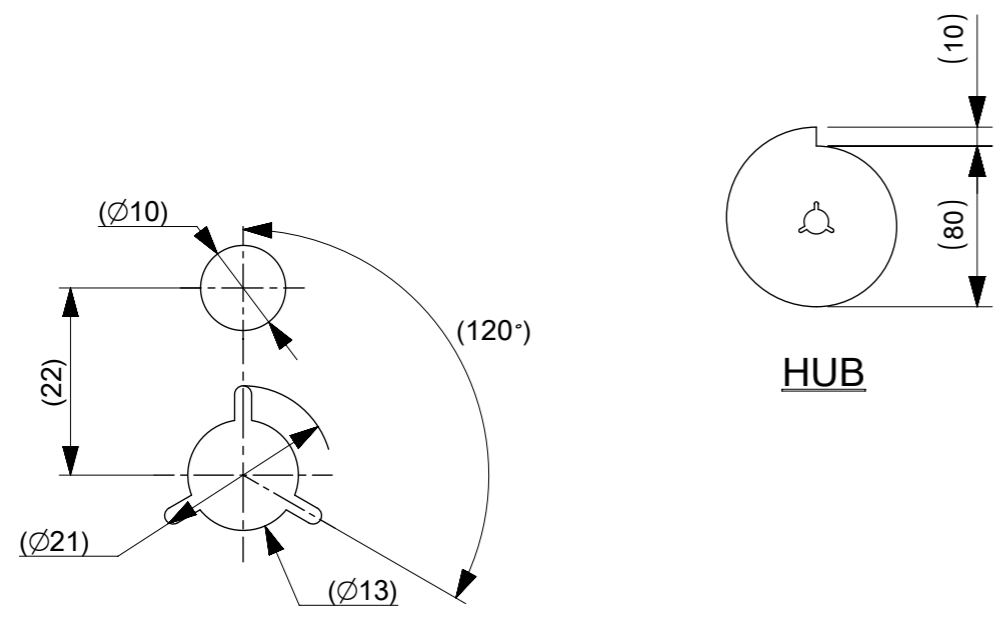


- NOTES**
- 梱包数量 : 900個 / リール
NUMBER OF CONNECTORS : 900 PCS/REEL.
 - リードテープ長さ
LEAD TAPE LENGTH.



- 製品詳細寸法については図面 5018641002 DOC.PART 000を参照下さい。
RE DETAILED DIMENSION, SEE 5018641002 DOC.PART 000.
- 材料(MATERIAL)
キャリアテープ(CARRIER TAPE) : ポリスチレン(POLYSTYRENE)
トップテープ(TOP TAPE) : PET, PE, PE
リール(REEL) : ポリスチレン(POLYSTYRENE)
- ELV及びRoHS適合品
ELV AND RoHS COMPLIANT

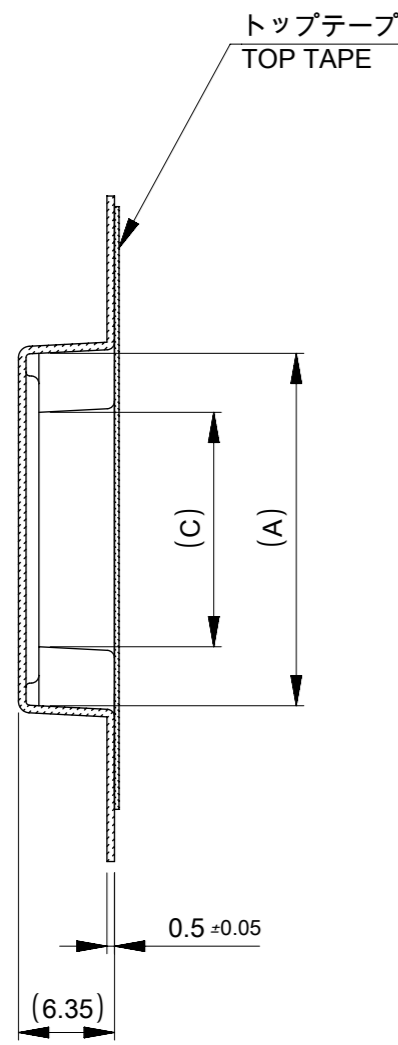


DETAIL "F"

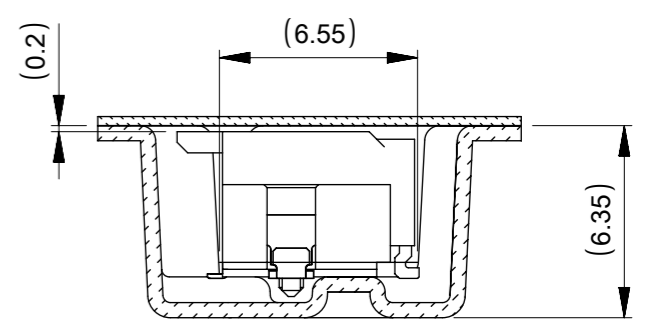
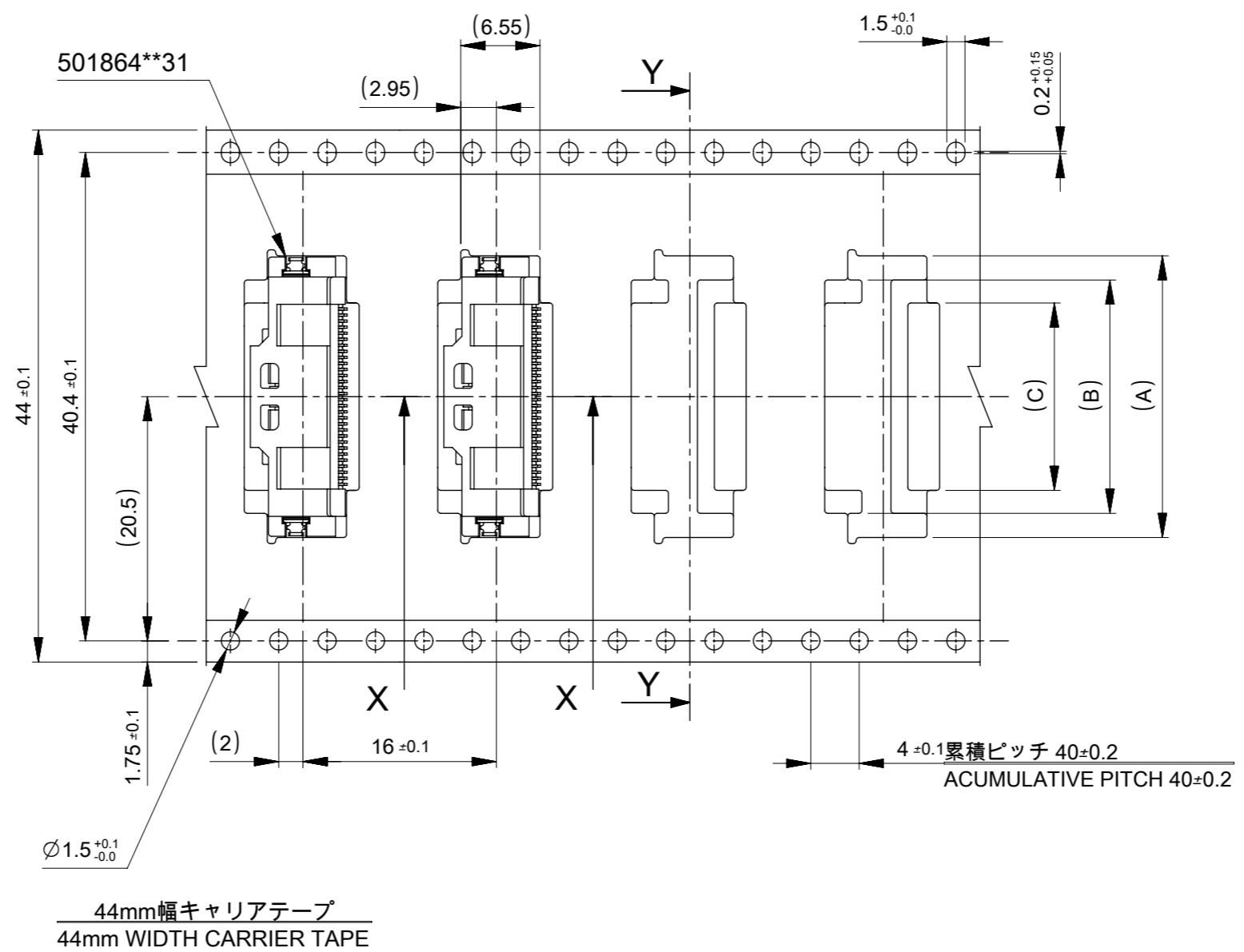
501864**91 MODEL NO.

THIS DRAWING CONTAINS INFORMATION THAT IS PROPRIETARY TO MOLEX ELECTRONIC TECHNOLOGIES, LLC AND SHOULD NOT BE USED WITHOUT WRITTEN PERMISSION		CURRENT REV DESC:		molex		
DIMENSION UNITS	SCALE					
mm	NTS			EMBSTP PKG FOR 0.5 FFC TO BOARD ST TYPE		
GENERAL TOLERANCES (UNLESS SPECIFIED)		EC NO: 640427		PRODUCT CUSTOMER DRAWING		
ANGULAR TOL	± 1.0°	DRWN: NINOUE01	2020/06/29	DOCUMENT NUMBER		
4 PLACES	±	CHK'D: HSHIMYOYAMA	2020/07/01	DOC TYPE		
3 PLACES	±	APPR: SHOSHIKAWA	2020/07/01	DOC PART		
2 PLACES	± 0.2	INITIAL REVISION:		REVISION		
1 PLACE	± 0.2	DRWN: KMKERUR	2016/02/22	5018640002		
0 PLACES	± 0.2	APPR: NUKITA	2016/04/27	PSD 000 C		
DRAFT WHERE APPLICABLE MUST REMAIN WITHIN DIMENSIONS		THIRD ANGLE PROJECTION	DRAWING	SERIES	MATERIAL NUMBER	CUSTOMER
			A3-SIZE	501864	GENERAL MARKET	
				SHEET NUMBER		
				1 OF 3		

引き出し方向
PULL OUT DIRECTION



SECT. Y-Y



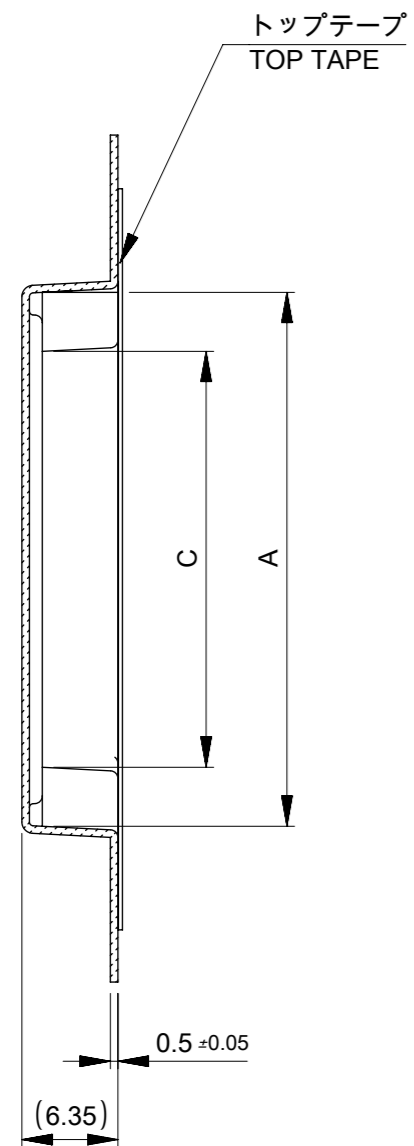
SECT. X-X

44	45.4	20.6	24.3	28.3	5018644091	40
		15.6	19.3	23.3	5018643091	30
キャリアテープ幅 CARRIER TAPE WIDTH		D	C	B	A	製品番号 MATERIAL NO.
						極数 CKT

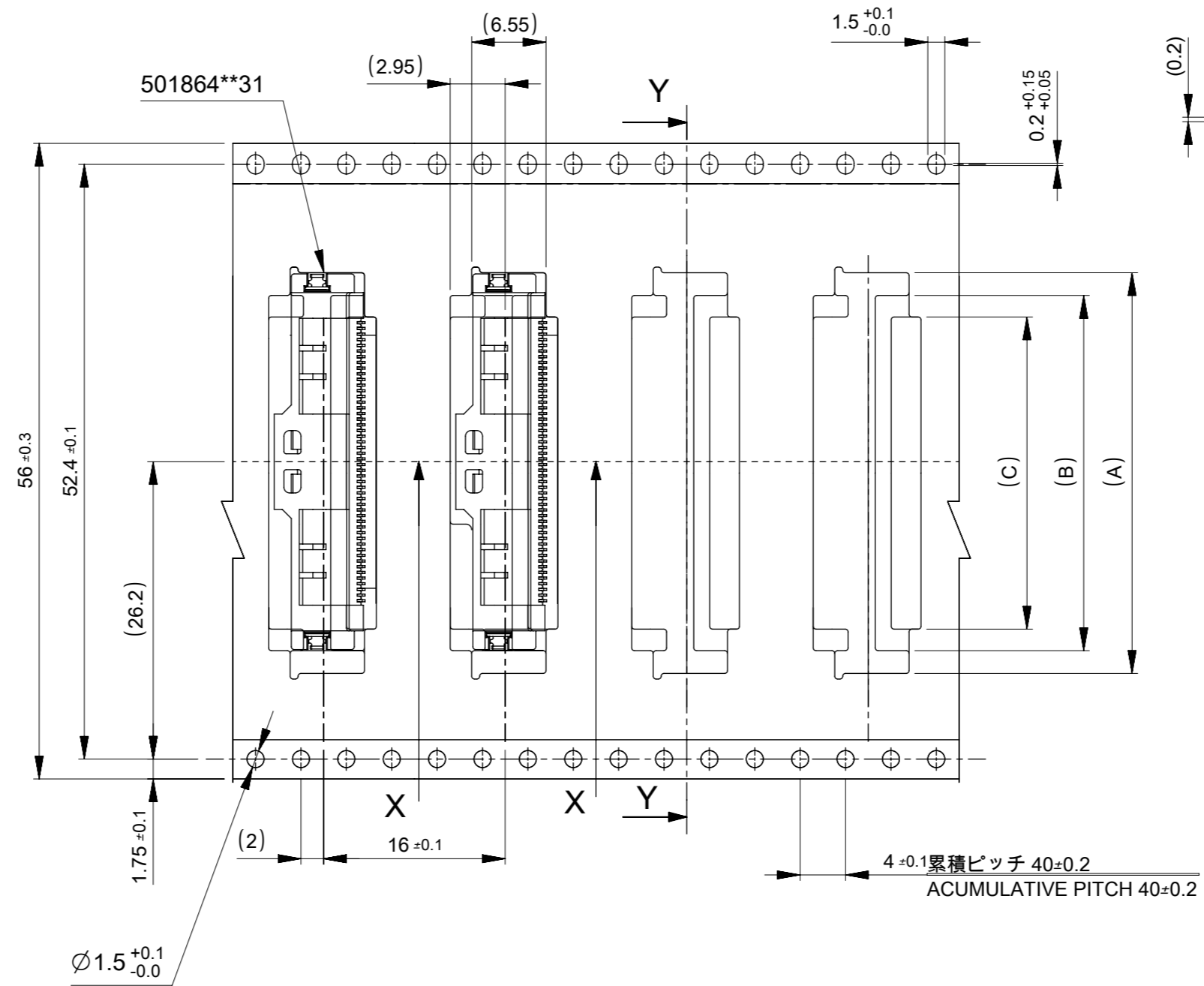
THIS DRAWING CONTAINS INFORMATION THAT IS PROPRIETARY TO MOLEX ELECTRONIC TECHNOLOGIES, LLC AND SHOULD NOT BE USED WITHOUT WRITTEN PERMISSION

DIMENSION UNITS mm	SCALE NTS	CURRENT REV DESC:		molex		
GENERAL TOLERANCES (UNLESS SPECIFIED)		EC NO: 640427				
ANGULAR TOL	± 1.0°	DRWN: NINOUE01		PRODUCT CUSTOMER DRAWING		
4 PLACES	±	CHK'D: HSHIMOYAMA		DOCUMENT NUMBER		
3 PLACES	±	APPR: SHOSHIKAWA		DOC TYPE		
2 PLACES	± 0.2	INITIAL REVISION:		DOC PART		
1 PLACE	± 0.2	DRWN: KMKERUR		REVISION		
0 PLACES	± 0.2	APPR: NUKITA		5018640002		
DRAFT WHERE APPLICABLE MUST REMAIN WITHIN DIMENSIONS	THIRD ANGLE PROJECTION	DRAWING	SERIES	MATERIAL NUMBER	CUSTOMER	SHEET NUMBER
		A3-SIZE	501864	501864	GENERAL MARKET	2 OF 3

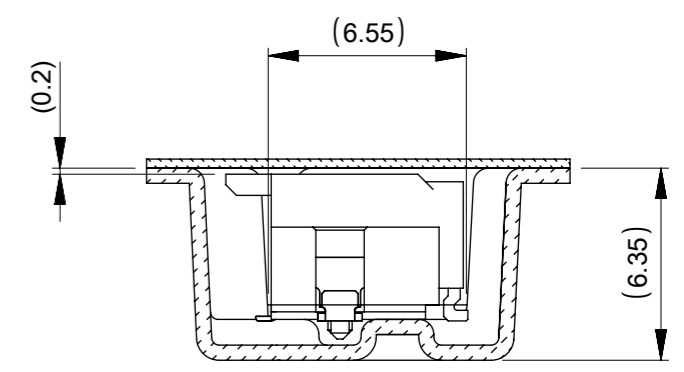
引き出し方向
PULL OUT DIRECTION



SECT. Y-Y



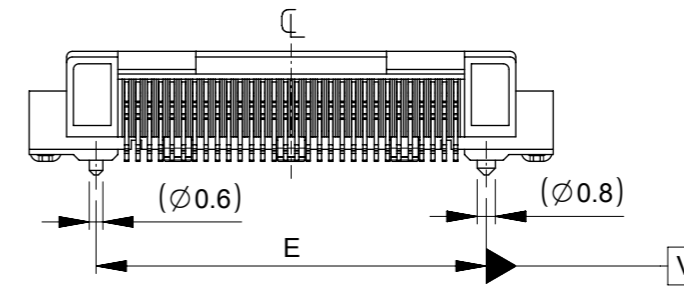
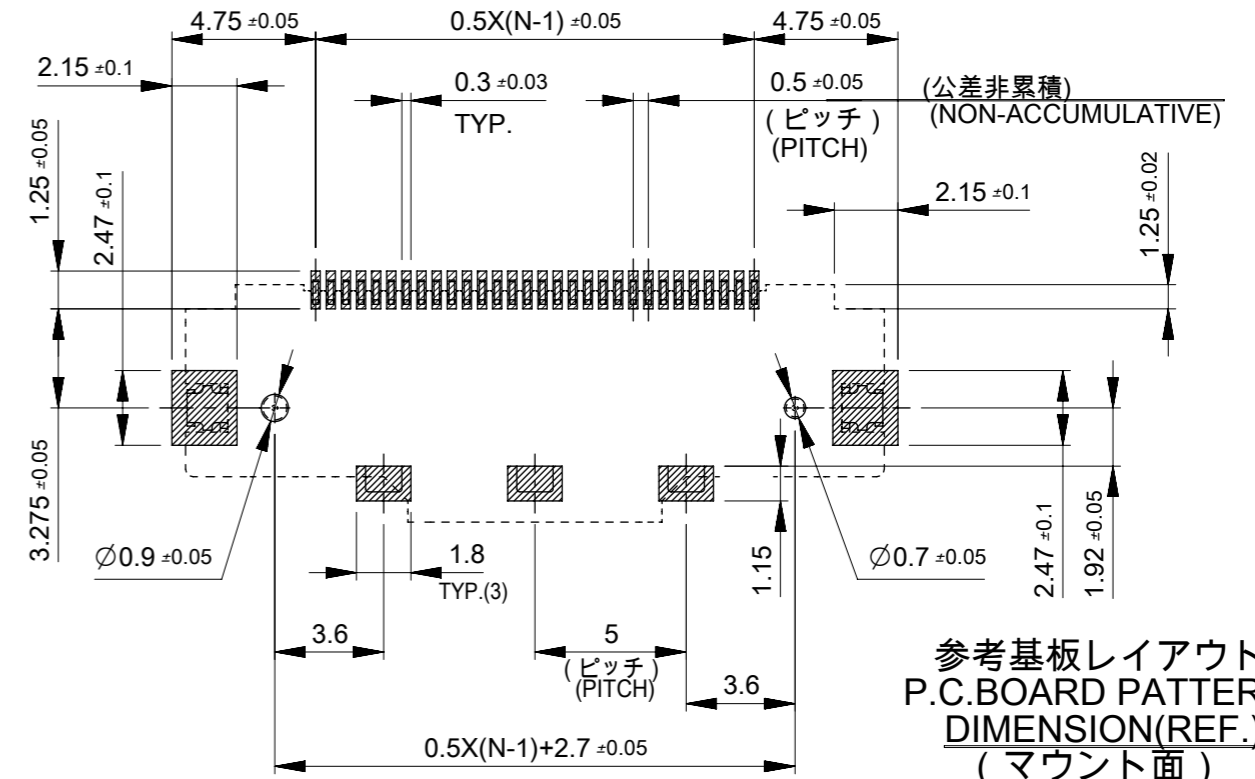
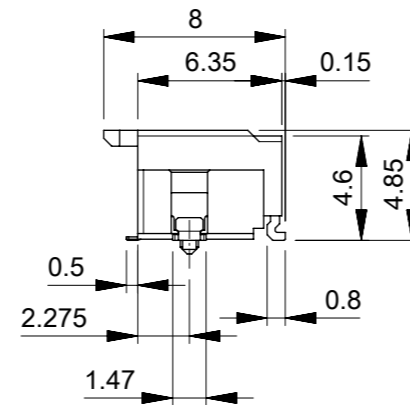
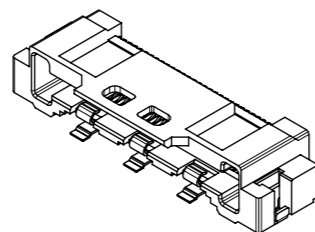
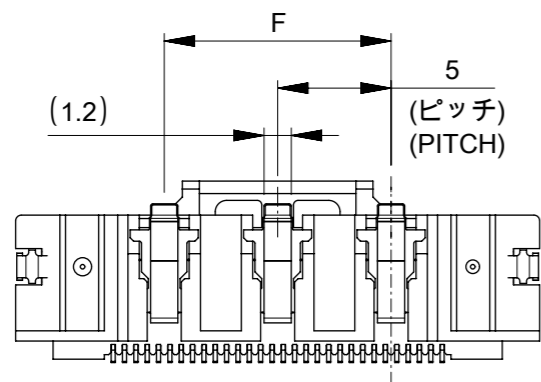
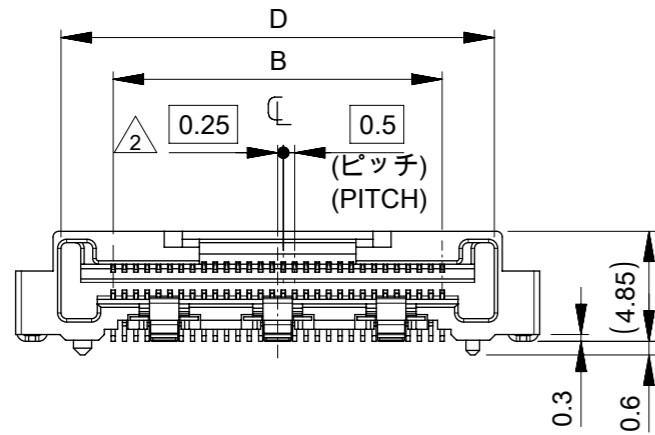
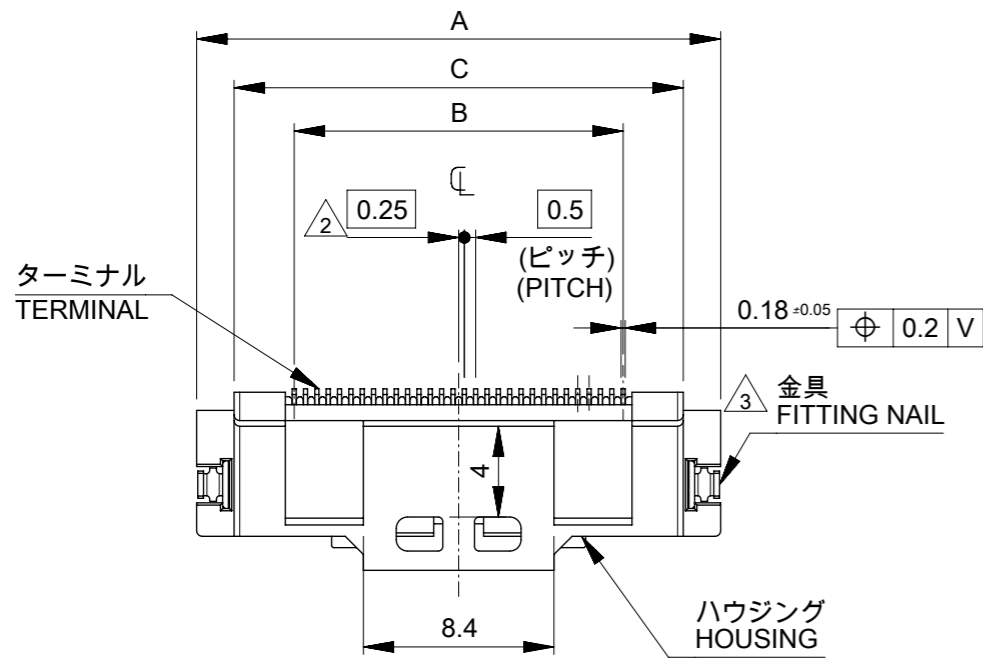
56mm幅キャリアテープ
56mm WIDTH CARRIER TAPE



SECT. X-X

56	57.4	25.6	29.3	33.3	5018645091	50	
キャリアテープ幅 CARRIER TAPE WIDTH				D	C	B	A
					製品番号 MATERIAL NO.	極数 CKT	

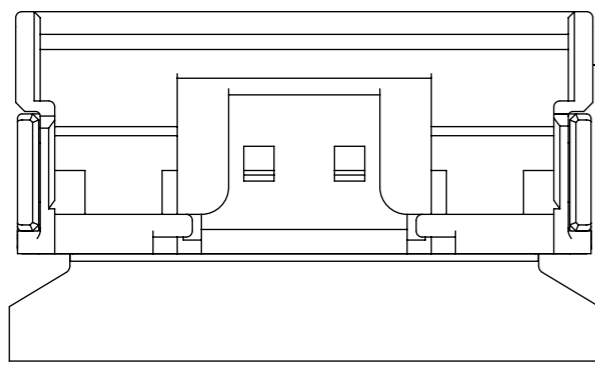
THIS DRAWING CONTAINS INFORMATION THAT IS PROPRIETARY TO MOLEX ELECTRONIC TECHNOLOGIES, LLC AND SHOULD NOT BE USED WITHOUT WRITTEN PERMISSION		CURRENT REV DESC:		molex			
DIMENSION UNITS	SCALE						
mm	NTS			PRODUCT CUSTOMER DRAWING			
GENERAL TOLERANCES (UNLESS SPECIFIED)		EC NO: 640427		DOCUMENT NUMBER			
ANGULAR TOL ± 1.0°		DRWN: NINOUE01 2020/06/29		5018640002			
4 PLACES ±		CHK'D: HSHIMUYAMA 2020/07/01		DOC TYPE DOC PART REVISION			
3 PLACES ±		APPR: SHOSHIKAWA 2020/07/01		PSD 000 C			
2 PLACES ± 0.2		INITIAL REVISION:		MATERIAL NUMBER			
1 PLACE ± 0.2		DRWN: KMKERUR 2016/02/22		CUSTOMER			
0 PLACES ± 0.2		APPR: NUKITA 2016/04/27		GENERAL MARKET			
DRAFT WHERE APPLICABLE MUST REMAIN WITHIN DIMENSIONS		THIRD ANGLE PROJECTION		DRAWING		SHEET NUMBER	
		A3-SIZE		SERIES		3 OF 3	
				501864			



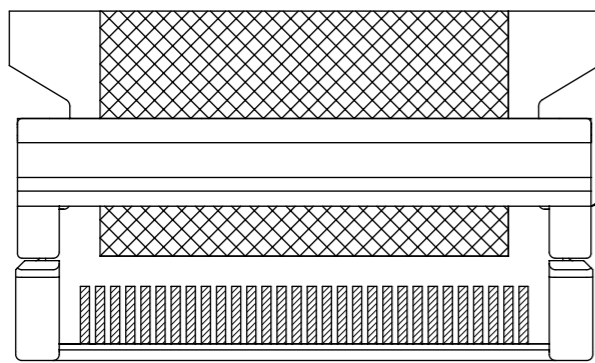
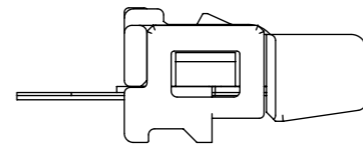
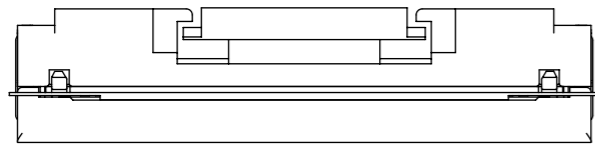
5	20	27.2	29.1	29.8	24.5	33.1	5018645091	50
4	15	22.2	24.1	24.8	19.5	28.1	5018644091	40
3	10	17.2	19.1	19.8	14.5	23.1	5018643091	30
QTY OF GROUND TERMINAL	F	E	D	C	B	A	EMBOSSED TAPE PKG. ORDER No. オーダー番号	極数 CKTS

CONNECTOR SERIES No. 501864**31

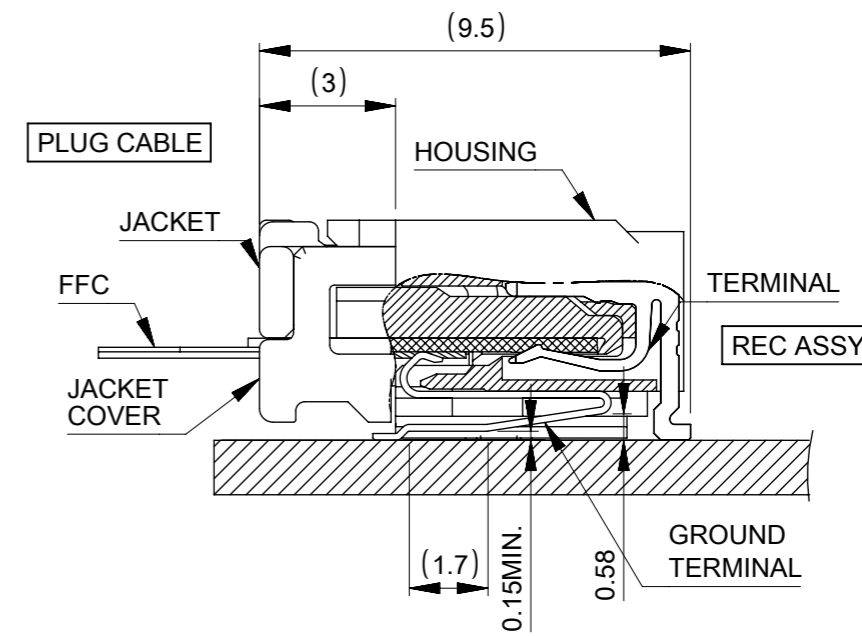
THIS DRAWING CONTAINS INFORMATION THAT IS PROPRIETARY TO MOLEX ELECTRONIC TECHNOLOGIES, LLC AND SHOULD NOT BE USED WITHOUT WRITTEN PERMISSION		CURRENT REV DESC:		molex	
DIMENSION UNITS mm	SCALE 3:1	EC NO: 640427 DRWN: NINOUE01 CHK'D: HSHIMOYAMA APPR: SHOSHIKAWA			
GENERAL TOLERANCES (UNLESS SPECIFIED)		2020/06/29 2020/07/01 2020/07/01		0.5 FFC TO BOARD CONN REC. HSG ASSY(RA)	
ANGULAR TOL	± 1.0°	INITIAL REVISION:		PRODUCT CUSTOMER DRAWING	
4 PLACES	±	DRWN: KMKERUR APPR: NUKITA		DOCUMENT NUMBER	DOC TYPE
3 PLACES	±	2016/02/24 2016/04/27		5018641002	PSD
2 PLACES	± 0.2	SERIES		000	REVISION
1 PLACE	± 0.2	A3-SIZE		C	
0 PLACES	± 0.2	501864			
DRAFT WHERE APPLICABLE MUST REMAIN WITHIN DIMENSIONS		THIRD ANGLE PROJECTION	DRAWING	MATERIAL NUMBER	CUSTOMER
				GENERAL MARKET	SHEET NUMBER
					1 OF 3



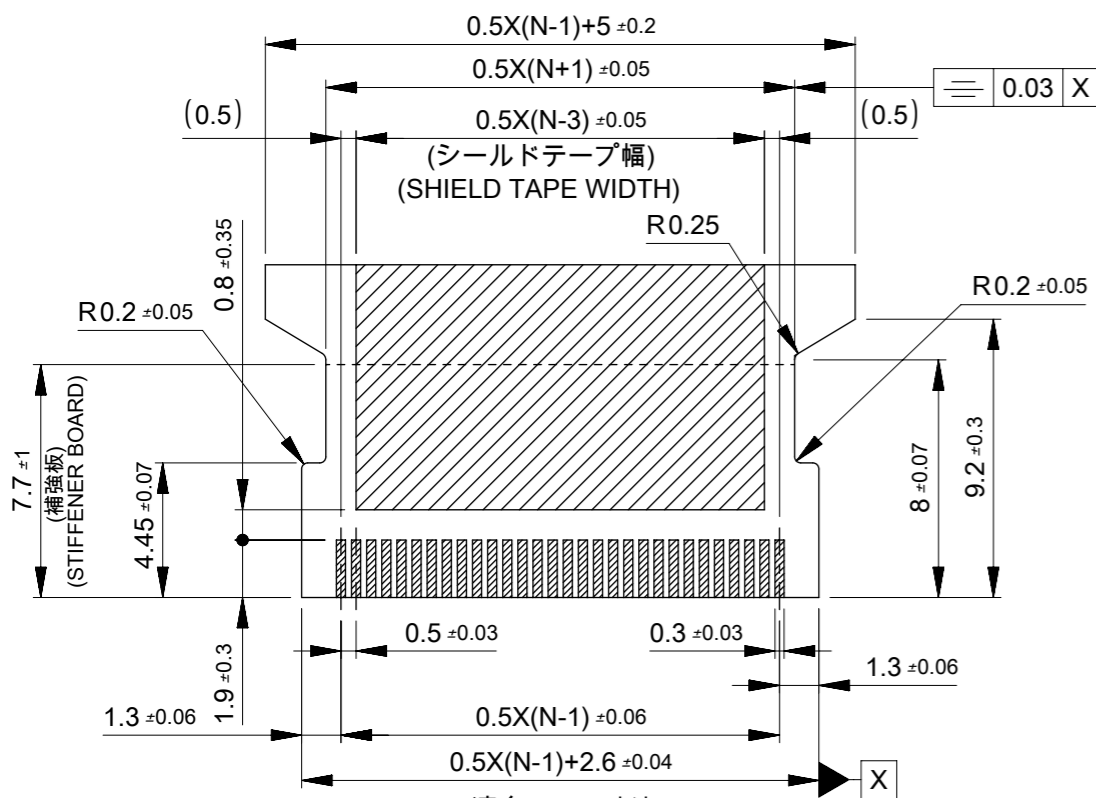
4 ジャケット
JACKET



5 ジャケットカバー
JACKET COVER



嵌合断面図
MATED CONNECTOR SECTION



適合 FFC 寸法
APPLICABLE FFC
RECOMMENDED DIMENSION
(仕上がり厚さ : コネクタ接点部 0.3 ± 0.03)
: シールド部 0.44 ± 0.05)
(THICKNESS : CONTACT AREA 0.3 ± 0.03)
SHIELD AREA 0.44 ± 0.05)

☐ コネクタ接点部
CONTACT AREA
▨ シールド部
SHIELD AREA

THIS DRAWING CONTAINS INFORMATION THAT IS PROPRIETARY TO MOLEX ELECTRONIC TECHNOLOGIES, LLC AND SHOULD NOT BE USED WITHOUT WRITTEN PERMISSION											
DIMENSION UNITS		SCALE		CURRENT REV DESC:							
mm		1:1		<div style="display: flex; justify-content: space-between;"> <div> <p>GENERAL TOLERANCES (UNLESS SPECIFIED)</p> <p>ANGULAR TOL $\pm 1.0^\circ$</p> <p>4 PLACES \pm</p> <p>3 PLACES \pm</p> <p>2 PLACES ± 0.2</p> <p>1 PLACE ± 0.2</p> <p>0 PLACES ± 0.2</p> <p>DRAFT WHERE APPLICABLE MUST REMAIN WITHIN DIMENSIONS</p> </div> <div> <p>EC NO: 640427</p> <p>DRWN: NINOUE01 2020/06/29</p> <p>CHK'D: HSHIMOYAMA 2020/07/01</p> <p>APPR: SHOSHIKAWA 2020/07/01</p> <p>INITIAL REVISION:</p> <p>DRWN: KMKERUR 2016/02/24</p> <p>APPR: NUKITA 2016/04/27</p> </div> <div> <p>molex</p> <p>0.5 FFC TO BOARD CONN REC. HSG ASSY(RA)</p> <p>PRODUCT CUSTOMER DRAWING</p> </div> </div>							
DOCUMENT STATUS		RELEASE DATE		DOCUMENT NUMBER		DOC TYPE		DOC PART		REVISION	
P1		2020/07/01 10:09:49		5018641002		PSD		000		C	
THIRD ANGLE PROJECTION		DRAWING		SERIES		MATERIAL NUMBER		CUSTOMER		SHEET NUMBER	
		A3-SIZE		501864		GENERAL MARKET		2 OF 3			

注記
NOTE

1. 使用材料 MATERIAL

ハウジング : 液晶ポリマー (L C P) , ガラス充填 ,
HOUSING UL94V-0 色 : 黒色
LIQUID CRYSTAL POLYMER(LCP),
GLASS FILLED,UL94V-0 COLOR:BLACK

ターミナル : 燐青銅 (t = 0.18)
TERMINAL PHOSPHOR BRONZE(t=0.18)

メッキ仕様
PLATING

接点部 : 金メッキ 0.1マイクロメートル以上
CONTACT AREA : GOLD 0.1 MICROMETER MINIMUM
半田付け部 : 金メッキ 0.05マイクロメートル以上
SOLDER TAIL AREA : GOLD 0.05 MICROMETER MINIMUM
下地メッキ : ニッケルメッキ 1.0マイクロメートル以上
UNDER PLATING : NICKEL 1.0 MICROMETER MINIMUM

金具 : 燐青銅 (t = 0.25)
FITTING NAIL PHOSPHOR BRONZE(t=0.25)
錫メッキ 1.0マイクロメートル以上
TIN 1.0MICROMETER MINIMUM
下地メッキ : ニッケルメッキ 1.0マイクロメートル以上
UNDER PLATING : NICKEL 1.0 MICROMETER MINIMUM

グラウンド端子 : 燐青銅 (t = 0.15)
GROUND TERMINAL PHOSPHOR BRONZE(t=0.15)
錫メッキ 1.0マイクロメートル以上
TIN 1.0MICROMETER MINIMUM
下地メッキ : ニッケルメッキ 1.0マイクロメートル以上
UNDER PLATING : NICKEL 1.0 MICROMETER MINIMUM

△₂ N = 偶数に適用 (N : 極数)
APPLY FOR N=EVEN(N:CIRCUIT)

△₃ パターン剥離止め用金具
FITTING NAIL FOR PREVENTION OF PEELING
OF P.C.B PATTERN.

△₄ <30極品>
適合ジャケット : 5017833009
製品詳細寸法は5017832000 DOC.PART 001を参照下さい。
<40極品>
適合ジャケット : 5017834009
製品詳細寸法は5017832000 DOC.PART 001を参照下さい。
<50極品>
適合ジャケット : 5031505009
製品詳細寸法は5031502000 DOC.PART 000を参照下さい。
<30CKT>
APPLICABLE JACKET:5017833009.
RE DETAILED DIMENSION,SEE 5017832000 DOC.PART 001.
<40CKT>
APPLICABLE JACKET:5017834009.
RE DETAILED DIMENSION,SEE 5017832000 DOC.PART 001.
<50CKT>
APPLICABLE JACKET:5031505009.
RE DETAILED DIMENSION,SEE 5031502000 DOC.PART 000.

△₅ <30極品>
適合ジャケットカバー : 5017843008
製品詳細寸法は5017842001 DOC.PART 000を参照下さい。
<40極品>
適合ジャケットカバー : 5017844008
製品詳細寸法は5017842001 DOC.PART 000を参照下さい。
<50極品>
適合ジャケットカバー : 5031515009
製品詳細寸法は5031512000 DOC.PART 000を参照下さい。
<30CKT>
APPLICABLE JACKET:5017843008.
RE DETAILED DIMENSION,SEE 5017842001 DOC.PART 000.
<40CKT>
APPLICABLE JACKET:5017844008.
RE DETAILED DIMENSION,SEE 5017842001 DOC.PART 000.
<50CKT>
APPLICABLE JACKET:5031515009.
RE DETAILED DIMENSION,SEE 5031512000 DOC.PART 000.

6. ELV及びRoHS適合品
ELV AND RoHS COMPLIANT

THIS DRAWING CONTAINS INFORMATION THAT IS PROPRIETARY TO MOLEX ELECTRONIC TECHNOLOGIES, LLC AND SHOULD NOT BE USED WITHOUT WRITTEN PERMISSION												
DIMENSION UNITS		SCALE		CURRENT REV DESC:				molex				
mm		1:1										
GENERAL TOLERANCES (UNLESS SPECIFIED)				EC NO: 640427 DRWN: NINOUE01 2020/06/29 CHK'D: HSHIMOYAMA 2020/07/01 APPR: SHOSHIKAWA 2020/07/01 INITIAL REVISION: DRWN: KMKERUR 2016/02/24 APPR: NUKITA 2016/04/27				0.5 FFC TO BOARD CONN REC. HSG ASSY(RA)				
ANGULAR TOL ± 1.0 °												
4 PLACES ±		0.2						PRODUCT CUSTOMER DRAWING				
3 PLACES ±		0.2						DOCUMENT NUMBER		DOC TYPE	DOC PART	REVISION
2 PLACES ±		0.2						5018641002		PSD	000	C
1 PLACE ±		0.2		MATERIAL NUMBER		CUSTOMER		SHEET NUMBER				
0 PLACES ±		0.2		A3-SIZE	501864	GENERAL MARKET		3 OF 3				
DRAFT WHERE APPLICABLE MUST REMAIN WITHIN DIMENSIONS				THIRD ANGLE PROJECTION		DRAWING	SERIES					

DOCUMENT STATUS	P1	RELEASE DATE	2020/07/01	10:09:49
-----------------	----	--------------	------------	----------