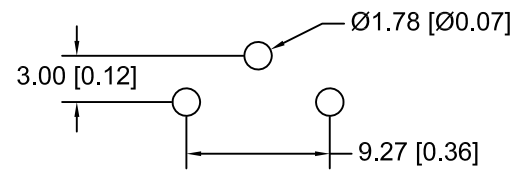
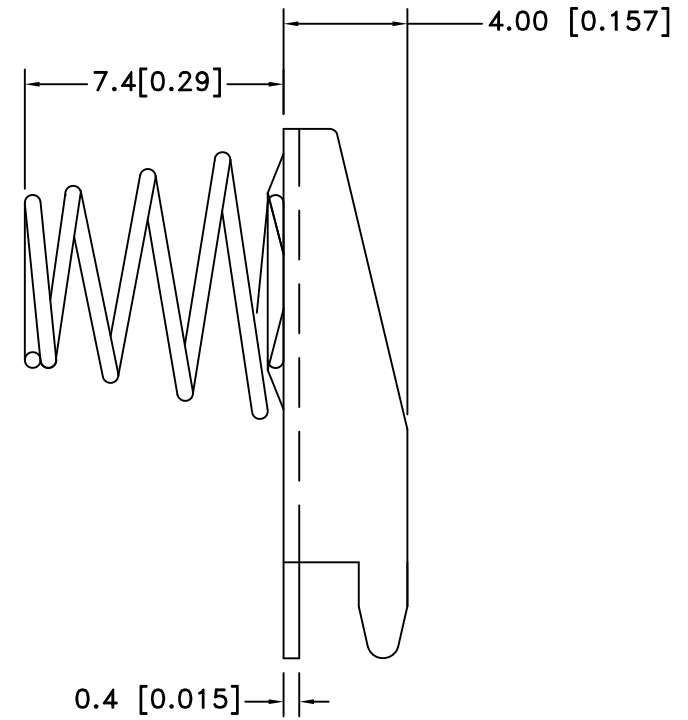
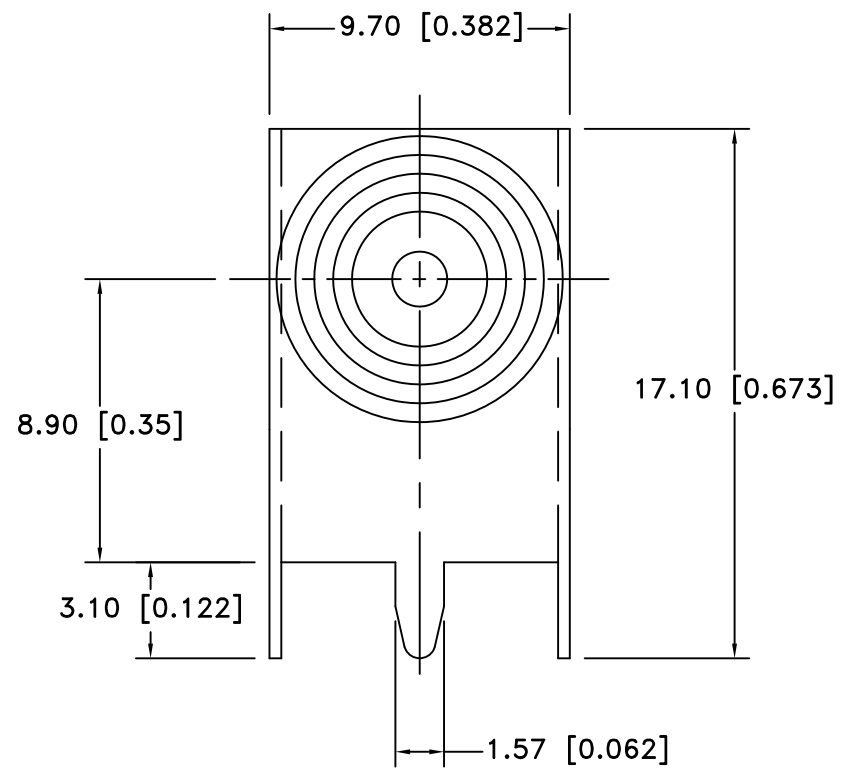


Date	SYM	REVISION RECORD	AUTH	DR.	CK.
3/14/14	A	Added PCB layout	T.B.	B.S.	




PCB LAYOUT



NOTES:

MATERIAL:

1. BASE PLATE: 0.40±0.05 mm CRS, TIN PLATED 80U'-120U'.
2. SPRING: 0.70±0.05 mm SPRING STEEL, NICKLE PLATED 80U'-120U', 4 COILS
3. ROHS 2 COMPLIANT

Tolerance (Except as noted)	 Memory Protection Devices, Inc 200 Broad Hollow Road, Farmingdale, New York 11735	Scale	Drawn By B.S.
			Approved By T.B.
decimal ±.5 (.020)	Title CONTACT, "AA", "AAA", "N" AND 12V BATTERY		
Fractional ± .8 (.030)		Date 3/14/14	Drawing Number BK-628
Angular ± 3°			