

## RN-SMA7-RP Antenna

### Features

- Bends and rotates for optimum positioning
- Excellent performance
- Omni-directional pattern
- FCC Part 15-compliant reverse polarity SMA connector

### Electrical Specifications

- Center Frequency: 2.4 GHz
- Connector: reverse polarity SMA

### Ordering Information

- RN-SMA7-RP (with reverse polarity SMA connector)



### Description

The RN-SMA7-RP 2.4 GHz antenna provides excellent performance and positional flexibility in a compact physical package. The antenna's base can bend and swivel so that you can orient it in the optimum position. You can easily mount the antenna to Roving Networks modules via an FCC Part 15-compliant reverse polarity SMA connector.

Figure 1 shows the antenna dimensions.

Figure 1. Antenna Dimensions

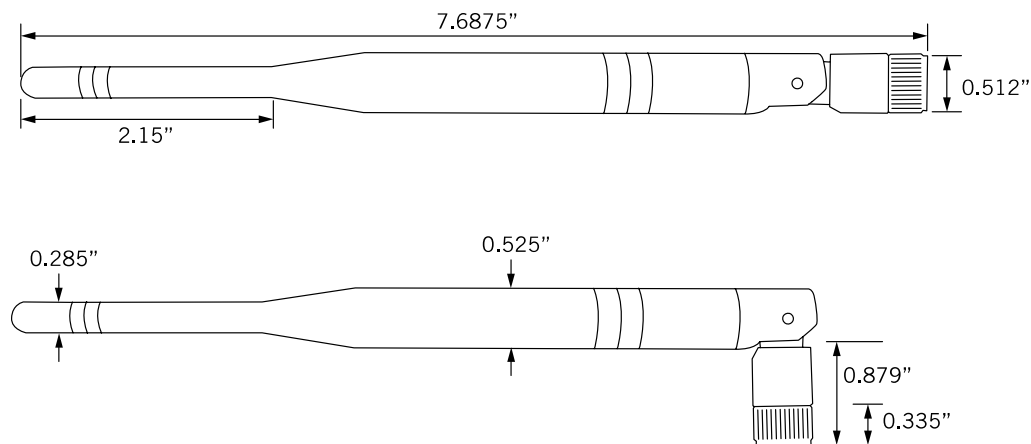


Figure 2 shows the testing environment.

*Figure 2. Testing Environment*

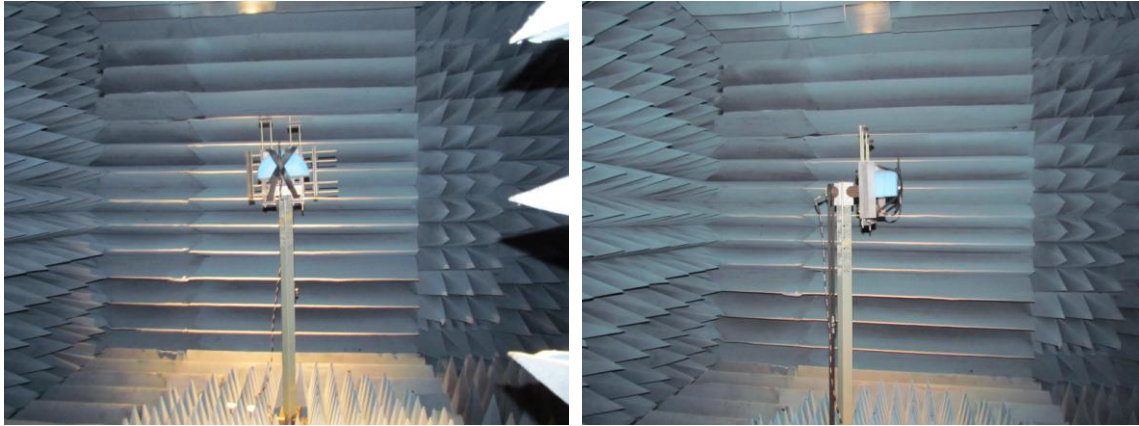
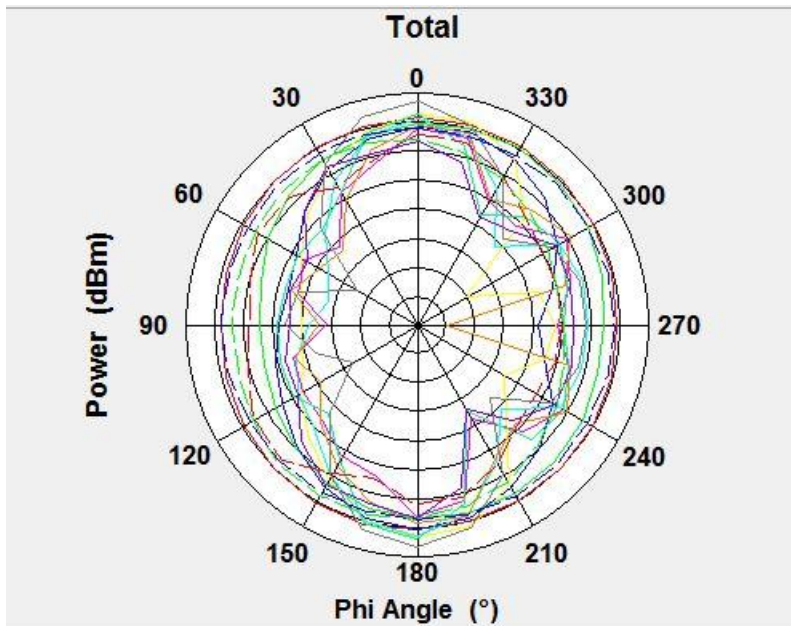


Figure 3 shows the antenna's polar plot.

*Figure 3. Polar Plot*

Max: 10  
Min: -30  
Scale: 5/div



Visit <http://www.rovingnetworks.com> for current pricing and a list of distributors carrying our products.

Roving Networks, Inc.  
102 Cooper Court  
Los Gatos, CA 95032  
+1 (408) 395-5300  
[www.rovingnetworks.com](http://www.rovingnetworks.com)

Copyright © 2012 Roving Networks. All rights reserved. Roving Networks is a registered trademark of Roving Networks. Apple Inc., iPhone, iPad, iTunes, Made for iPhone are registered trademarks of Apple Computer.

Roving Networks reserves the right to make corrections, modifications, and other changes to its products, documentation and services at any time. Customers should obtain the latest relevant information before placing orders and should verify that such information is current and complete.

Roving Networks assumes no liability for applications assistance or customer's product design. Customers are responsible for their products and applications that use Roving Networks components. To minimize customer product risks, customers should provide adequate design and operating safeguards.

Roving Networks products are not authorized for use in safety-critical applications (such as life support) where a failure of the Roving Networks product would reasonably be expected to cause severe personal injury or death, unless officers of the parties have executed an agreement specifically governing such use.