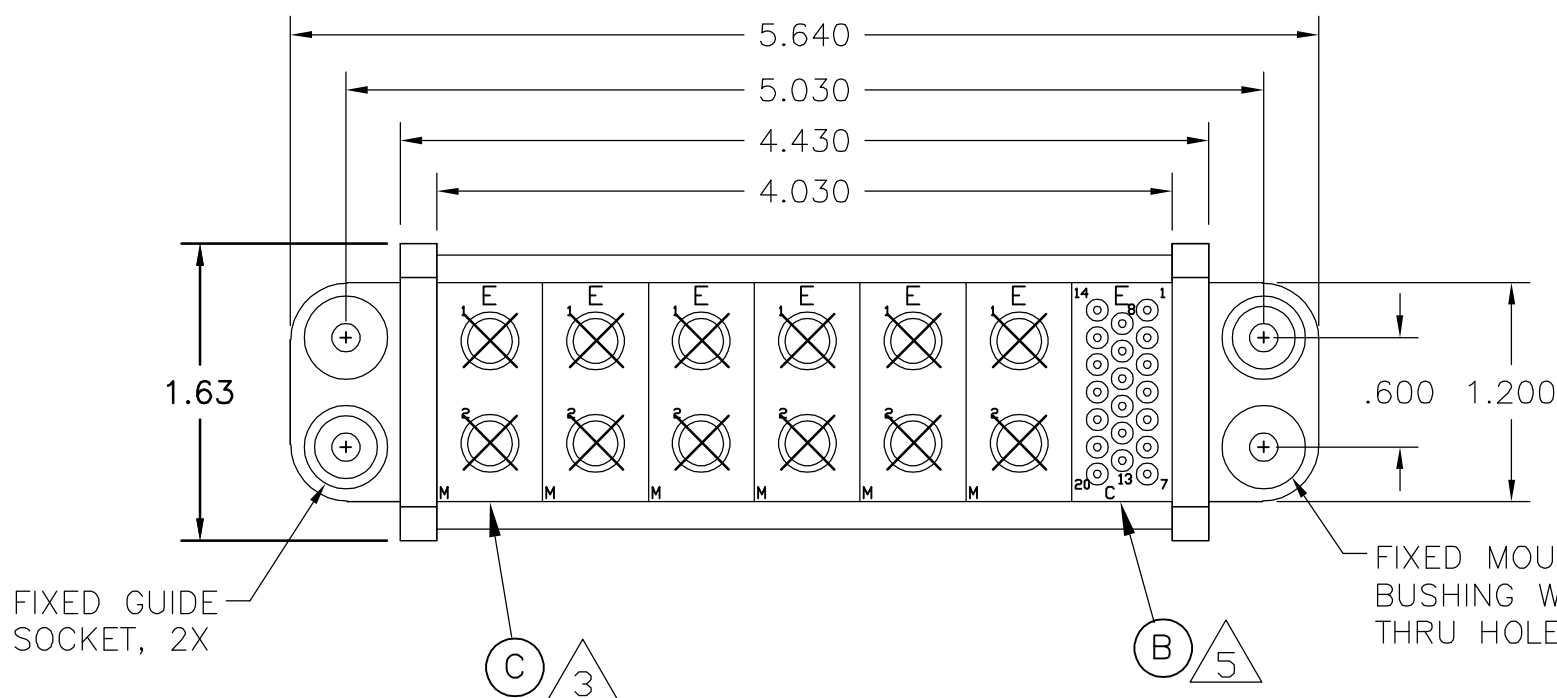


THIS DRAWING IS UNPUBLISHED. RELEASED FOR PUBLICATION
 © COPYRIGHT BY TYCO ELECTRONICS CORPORATION. ALL RIGHTS RESERVED.

LOC	DIST	REVISIONS					
GP	00	P	LTR	DESCRIPTION	DATE	DWN	APVD
			A	NEW RELEASE	5MAR07	RG	DO



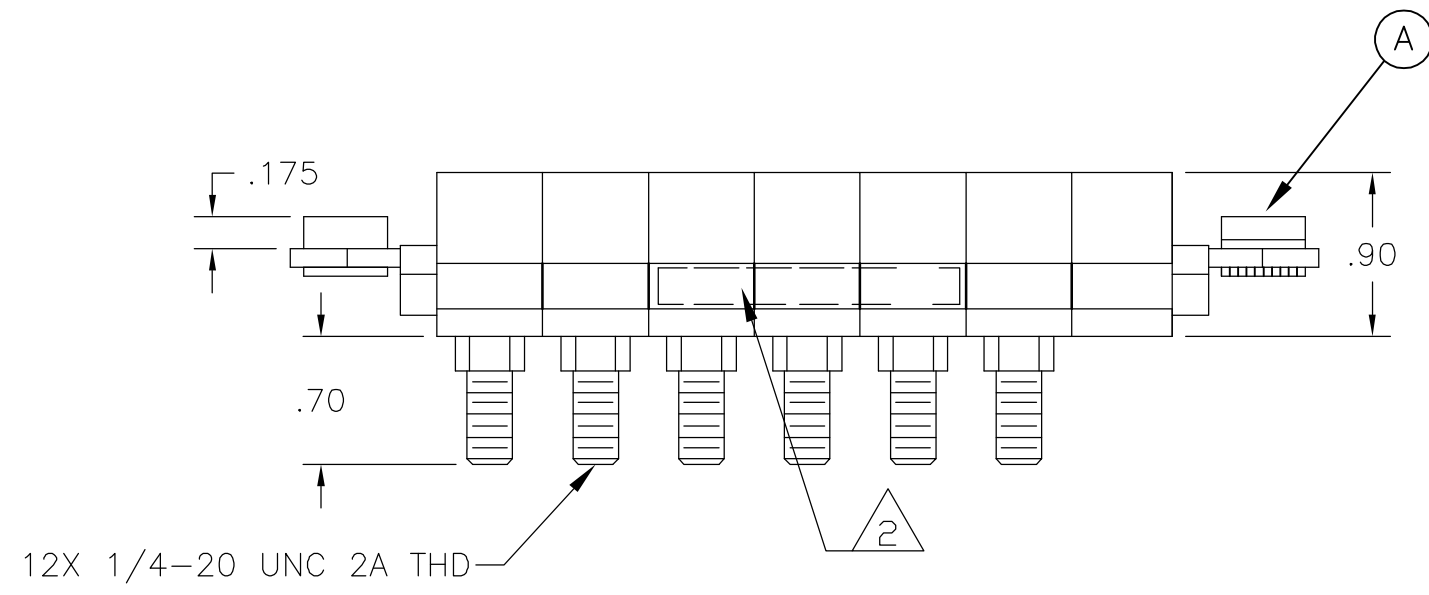
1. PART NUMBER CHANGES AND/OR DESIGN CHANGES AFFECTING ITEM INTERCHANGEABILITY REQUIRE PRIOR TYCO APPROVAL AND AUTHORIZATION BY REVISION TO THIS DRAWING.

2. ITEMS PROVIDED TO THIS SPECIFICATION TO BE PERMANENTLY IDENTIFIED PER THE FOLLOWING IDENTIFIER:

YEAR WEEK
 TYCO PART NUMBER DATE CODE (e.g. 0212)
 XXXXXXXX-X XXXX

- 3. MODULE M SOCKET CONTACTS INSTALLED.
- 4. MOUNTING FLANGE BUSHINGS ACCEPT 6/32 SCREW (.156 DIA. CLEARANCE HOLE, FLOAT MOUNT) OR 8/32 SCREW (.173 DIA. CLEARANCE HOLE, FLOAT MOUNT), USER SUPPLIED.
- 5. MODULES NOTED ARE CRIMP REMOVABLE STYLE CONTACTS. WILL BE PURCHASED SEPARATELY. REF SOCKET CONTACT, SIZE 20, PN: 1648325-1

6. THIS CONNECTOR MATES WITH PIN CONN. TYCO PN 6646098-1

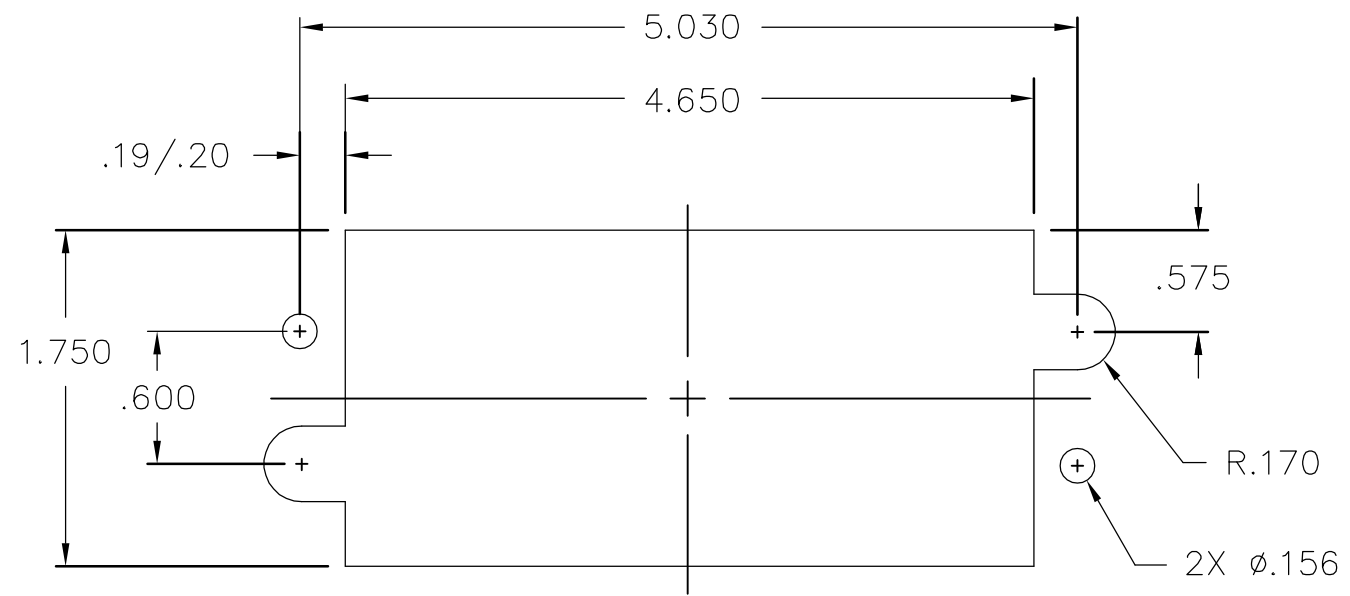


3	6	6648454-1	MODULE M	C
5	1	1648468-1	MODULE C	B
	2	6648263-1	END CAP, FIXED	A
	-1	PART NUMBER	DESCRIPTION	ITEM

THIS DRAWING IS A CONTROLLED DOCUMENT.		DWN	05MAR2007		Tyco Electronics Corporation	
		CHK	5MAR07		Harrisburg, PA 17105-3608	
		APVD	5MAR07		NAME	
		S.FLICKINGER		SOCKET CONNECTOR		
DIMENSIONS: INCHES		TOLERANCES UNLESS OTHERWISE SPECIFIED:		DOMINO		
		0 PLC ± -		W/PANEL CUT-OUT		
		1 PLC ± -		SIZE		
		2 PLC ± .02		CAGE CODE		
		3 PLC ± .010		DRAWING NO		
		4 PLC ± -		RESTRICTED TO		
		ANGLES ± 5		A3 00779 C-6646099		
MATERIAL		FINISH		WEIGHT		
				-		
CUSTOMER DRAWING				SCALE	SHEET	REV
				1:1	1 OF 2	A

THIS DRAWING IS UNPUBLISHED. RELEASED FOR PUBLICATION
 © COPYRIGHT - BY TYCO ELECTRONICS CORPORATION. ALL RIGHTS RESERVED.

LOC	DIST	REVISIONS					
GP	00	P	LTR	DESCRIPTION	DATE	DWN	APVD
		-		SEE SHEET 1	-	-	-



SOCKET PANEL MOUNT CUTOUT
 SCALE: NONE

THIS DRAWING IS A CONTROLLED DOCUMENT.		DWN R.GRZYBOWSKI 05MAR2007	Tyco Electronics Corporation Harrisburg, PA 17105-3608	
DIMENSIONS: INCHES		CHK D.ORRIS 5MAR07	NAME	
		APVD S.FLICKINGER 5MAR07	SOCKET CONNECTOR DOMINO W/PANEL CUT-OUT	
TOLERANCES UNLESS OTHERWISE SPECIFIED:		PRODUCT SPEC	RESTRICTED TO	
0 PLC ± - 1 PLC ± - 2 PLC ± .02 3 PLC ± .010 4 PLC ± - ANGLES ± 5		APPLICATION SPEC	SIZE A3	CAGE CODE 00779
MATERIAL	FINISH	WEIGHT	DRAWING NO G-6646099	SCALE 1:1
-	-	-	CUSTOMER DRAWING	SHEET 2 OF 2
			REV A	