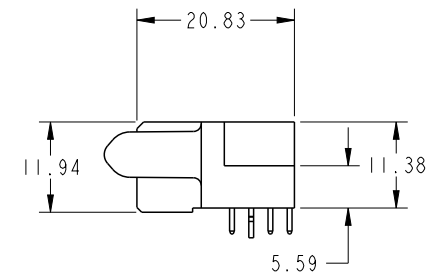
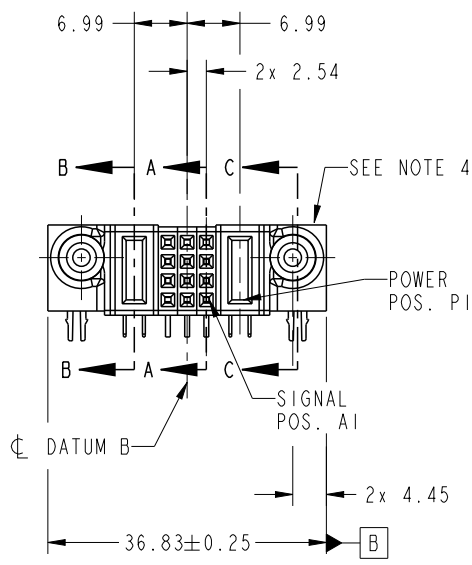
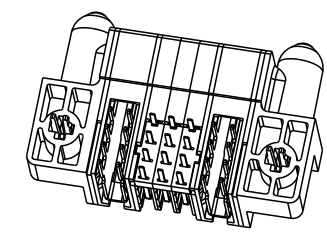
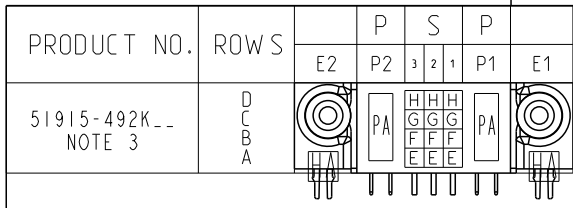


1

2

3

4



CODE	DIM "M" MATING LENGTH	CONTACT TYPE
PA	[1.07]	POWER
H	[N/A]	SIGNAL
G	[N/A]	SIGNAL
F	[N/A]	SIGNAL
E	[N/A]	SIGNAL
HA	[N/A]	HOLD-DOWN



Copyright FCI.

spec ref	SEE NOTES	dr	Ruan MT	2015/04/15	projection 	MM ←→	size	A4	scale	1:1
tolerance std	TOLERANCES UNLESS OTHERWISE SPECIFIED	eng	Ruan MT	2015/10/30			ecn no	-		
SEE NOTES		chr	Fancy Zhang	2015/10/29			rel level	Released		
surface	linear	appr	Pei-Ming Zheng	2015/10/30	product family	PwrBlade	dwg no	51915-492K	rev	A
	angular									

PrdrE File - REV C - 2009-06-09

1

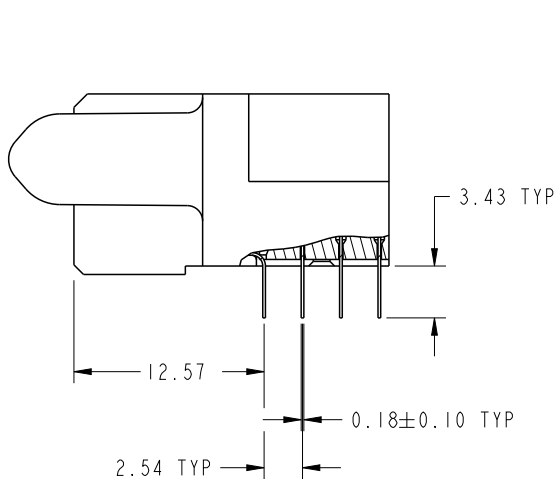
2

3

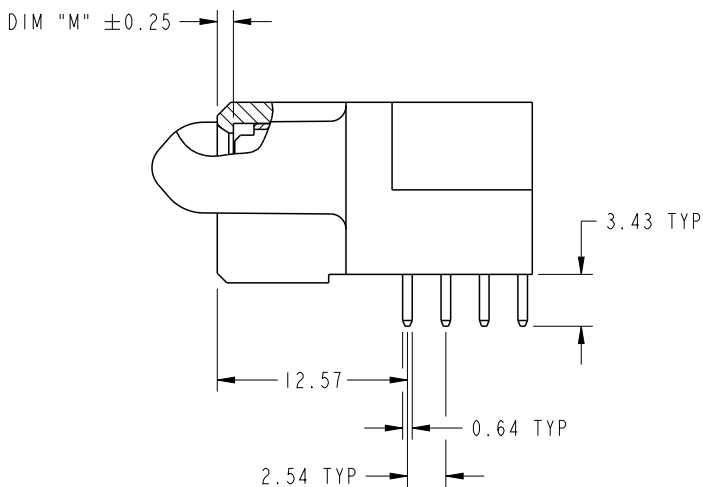
4

PRODUCT NUMBER

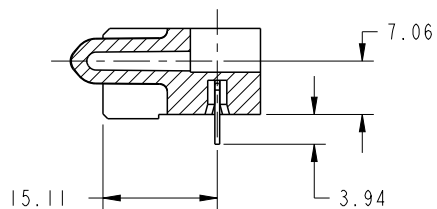
51915-492K\_\_  
NOTE 3



BROKEN-OUT SECTION A-A  
SCALE 2:1



BROKEN-OUT SECTION B-B  
SCALE 2:1

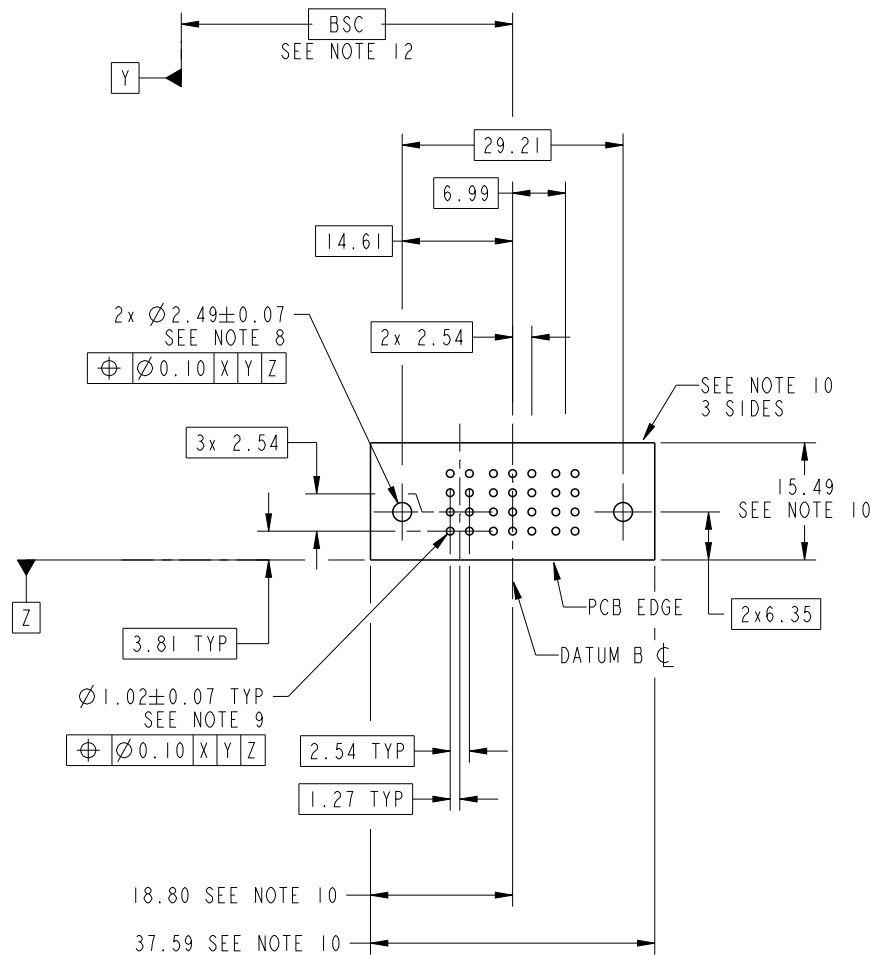


SECTION C-C

dr	Ruan MT	2015/04/15	projection 	MM 	size	A4	scale	1:1
eng	Ruan MT	2015/10/30			ecn no	-		
chr	Fancy Zhang	2015/10/29			rel level	Released		
appr	Pei-Ming Zheng	2015/10/30	product family	PwrBlade	rev	A		
		title		IP + 12S + IP		dwg no		51915-492K
www.fci.com		cat. no.		Product - Customer Drw		sheet 2 of 4		
		R/A STB RECEPTACLE						

PRODUCT NUMBER

51915-492K--  
NOTE 3



RECOMMENDED PCB LAYOUT

dr	Ruan MT	2015/04/15	projection 	MM 	size	A4	scale	1:1
eng	Ruan MT	2015/10/30			ecn no	-		
chr	Fancy Zhang	2015/10/29			rel level	Released		
appr	Pei-Ming Zheng	2015/10/30	product family	PwrBlade	rev	A		
		title		IP + 12S + IP		dwg no		51915-492K
www.fci.com		R/A STB RECEPTACLE		cat. no.		Product - Customer Drw		sheet 3 of 4

PRODUCT NUMBER

51915-492K--  
NOTE 3

NOTES:

1. DIMENSIONS AND TOLERANCES ARE IN ACCORDANCE WITH ASME Y14.5M, 1994 UNLESS OTHERWISE SPECIFIED.

CONNECTOR NOTES:

- 2. HOUSING MATERIAL: UL 94 V-0 GLASS FILLED HIGH-TEMP THERMOPLASTIC  
POWER CONTACT MATERIAL: COPPER ALLOY  
SIGNAL PIN MATERIAL: COPPER ALLOY
  - 3. SEE ITEM 5 & 6 IN PRINT 10064183 FOR PLATING SPEC OF 51915-492K AND 51915-492KLF RESPECTIVELY.
  - 4. MANUFACTURER'S NAME, DATE CODE AND OPTIONAL P/N TO APPEAR ON THIS SURFACE. THE MARK CAN BE OMITTED IF THERE IS NOT ENOUGH SPACE ON THIS SURFACE.
  - 5. PRODUCT SPECIFICATION GS-12-149.  
APPLICATION SPECIFICATION BUS-20-067.
  - 6. PACKAGED IN TRAYS.
- PCB NOTES:
- 7. ALL HOLE DIAMETERS ARE FINISHED HOLE SIZE.
  - 8. MOUNTING HOLES, WHERE APPLICABLE, ARE UNPLATED.
  - 9.  $\varnothing 1.151 \pm 0.025$  DRILLED HOLES PLATED WITH  
0.008 MIN SnPb OR Sn OVER 0.03  
TO 0.08 Cu PLATING TO ACHIEVE  
 $\varnothing 1.02 \pm .07$  HOLE.
  - 10. CONNECTOR KEEP-OUT ZONE.
  - 11. THE VOID CORING IN BETWEEN POWER MODULES, SIGNAL MODULES AND END MODULES ARE OPTIONAL AND THE SHAPE MAY BE DIFFERENT FOR OPTIMIZE THE MOLDING PROCESS. THE VOID CORING WILL NOT EFFECT TO PRODUCT FUNCTION.
  - 12. DATUM AND BASIC DIMENSIONS ARE ESTABLISHED BY CUSTOMER.

dr	Ruan MT	2015/04/15	projection 	MM 	size	A4	scale	1:1			
eng	Ruan MT	2015/10/30			ecn no	-					
chr	Fancy Zhang	2015/10/29			product family	PwrBlade	rel level	Released			
appr	Pei-Ming Zheng	2015/10/30			www.fci.com	title	IP + 12S + IP R/A STB RECEPTACLE	dwg no	51915-492K	rev	A
		cat. no.	Product - Customer Drw			sheet 4 of 4					