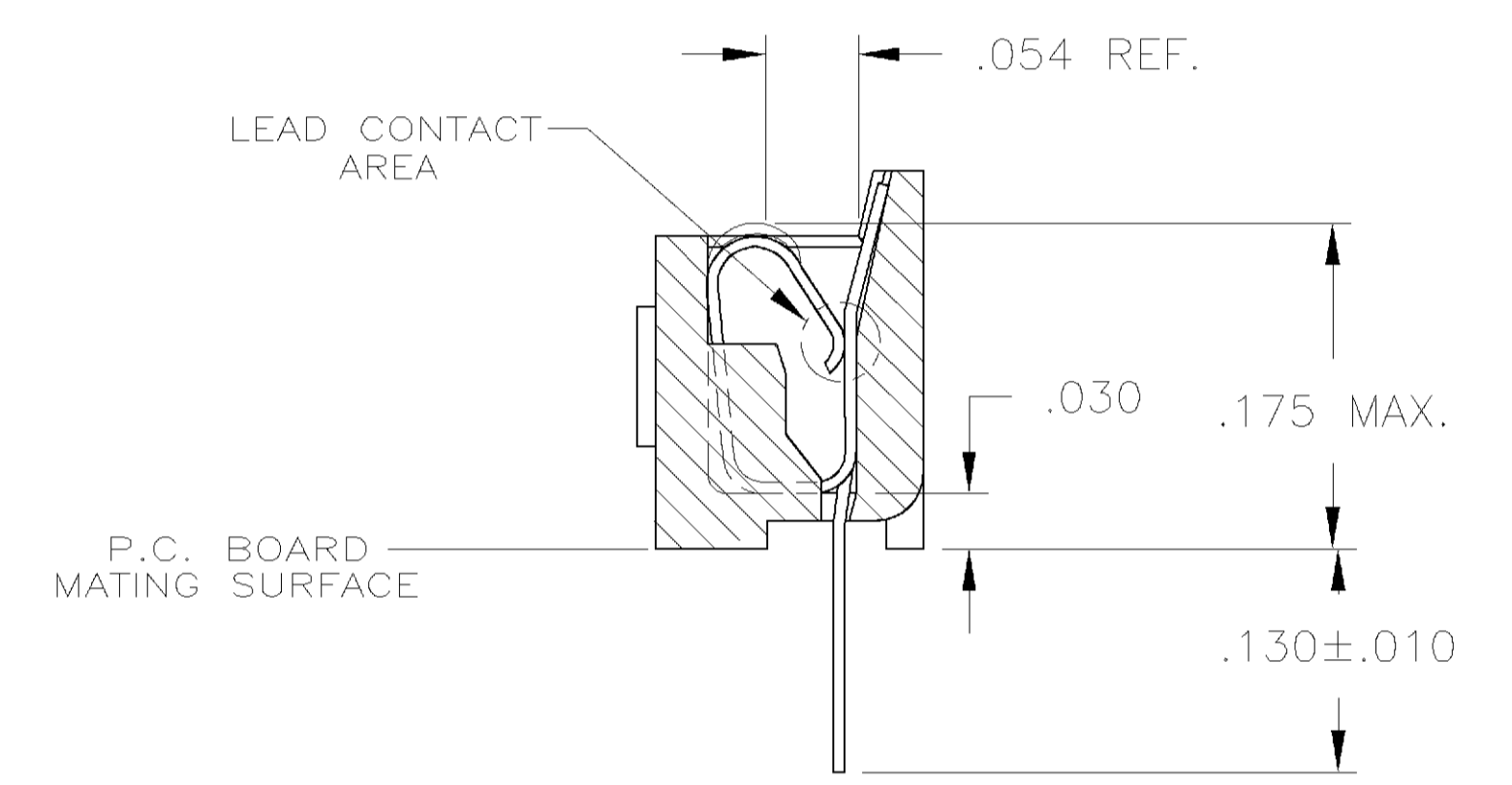
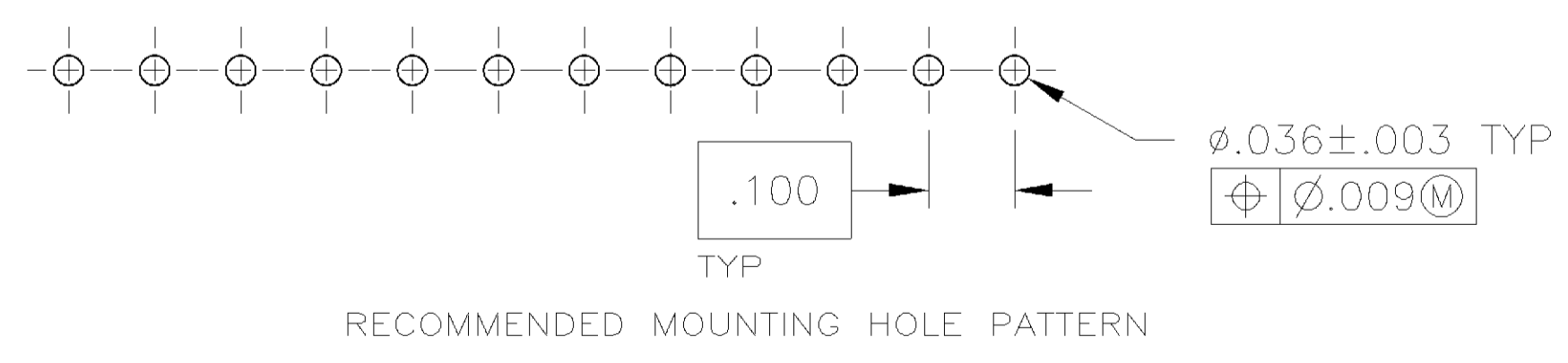
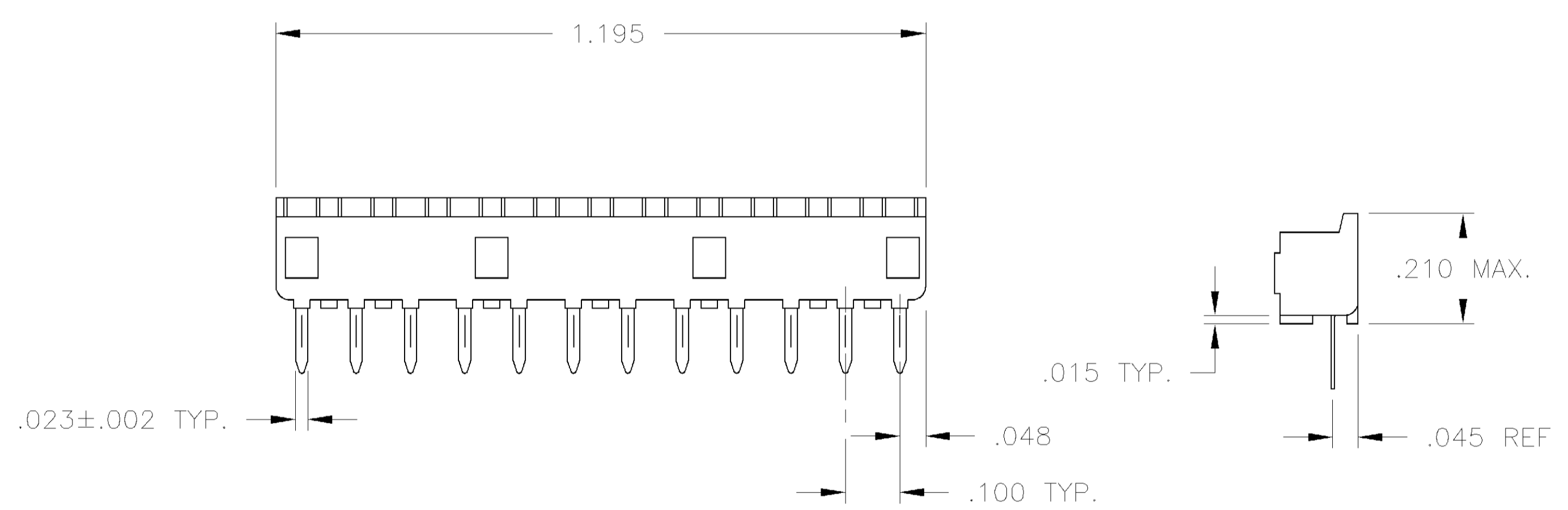


SECTION A-A
 ROTATED 90° CW
 SCALE 10:1
 FOR -6, -7 & -8 ONLY



SECTION A-A
 ROTATED 90° CW
 SCALE 10:1
 FOR -1, -2 & -3 ONLY

- 1. RECEPTACLE ACCEPTS AN .008-.014 THK. I.C. LEAD.
- ② TWO .000030 MIN. THK. GOLD STRIPES IN CONTACT AREA, TIN-LEAD(93-7) ON CONTACT LEGS, BALANCE OF CONTACT NICKEL PLATED.
- ③ TWO .000015 MIN. THK. GOLD STRIPES IN CONTACT AREA, TIN-LEAD(93-7) ON CONTACT LEGS, BALANCE OF CONTACT NICKEL PLATED.
- ④ TUBE LOADED.



OBSOLETE ④	TINNED	PHOS.BRZ.	GLASS-FILLED THERMOPLASTIC, 94V-0, BLACK	2-643644-3
	TINNED	PHOS.BRZ.	GLASS-FILLED THERMOPLASTIC, 94V-0, BLACK	643644-8
OBSOLETE	②	BE.CU.	GLASS-FILLED THERMOPLASTIC, 94V-0, BLACK	643644-7
	TINNED	BE.CU.	GLASS-FILLED THERMOPLASTIC, 94V-0, BLACK	643644-6
SUPSD BY 643644-2	③	PHOS.BRZ.	GLASS-FILLED THERMOPLASTIC, 94V-0, BLACK	643644-4
	TINNED	PHOS.BRZ.	GLASS-FILLED THERMOPLASTIC, 94V-0, BLACK	643644-3
OBSOLETE	③	BE.CU.	GLASS-FILLED THERMOPLASTIC, 94V-0, BLACK	643644-2
	TINNED	BE.CU.	GLASS-FILLED THERMOPLASTIC, 94V-0, BLACK	643644-1
	CONTACT FINISH	CONTACT MAT'L	HOUSING MATERIAL	PART NO.

THIS DRAWING IS A CONTROLLED DOCUMENT.

DIMENSIONS: INCHES	TOLERANCES UNLESS OTHERWISE SPECIFIED:	DWN: M. CYRUS 7-3-84	CHK: N. JONES 7-3-84	APVD: J. GRAY 7-10-84	NAME: J. GRAY	PRODUCT SPEC: 108-1066	APPLICATION SPEC: 114-1049	SIZE: A1	CAGE CODE: 00779	DRAWING NO: 643644	RESTRICTED TO: -
MATERIAL: SEE TABLE	FINISH: SEE TABLE	WEIGHT: -	CUSTOMER DRAWING		SCALE: 5:1	SHEET: 1 OF 1	REV: L				

AMP Tyco Electronics Corporation
 Harrisburg, PA 17105
 SOCKET ASSY, SIP, 12 POS, DIPLOMATE DL