



LAYOUT SHOWN AS EXAMPLE

Keying Shown as example

**CHARACTERISTICS**

- Standard : Based on MIL-DTL-38999 Series III
- Shell Material : Composite
- Shell Plating : Nickel
- Insulator : Thermoplastic
- Contacts : Copper Alloy
- Seals & Grommet : Silicon Elastomer
- Contact Plating : Gold over copper Alloy 0.8µm minimum
- Durability : 500 Mating cycles
- Delivered with Souriau contacts and Accessories
- Temperature Range : -65°C to +200°C
- Salt Spray : 2000 hours

Connector dimension	
Dim	Nominal
P	3.25±0.2
PP	4.93±0.2
R1	20.62
R2	18.26
S	26.2±0.3
V'	19.5+1.4/-0
W'	2.1/3.65
Z'	32 Max
VV THREAD	M15x1-6g

SOURIAU shall not be liable for any non-conformity or damage due to a use of the Products which does not comply with the Specifications issued by either of the Parties or by a third party (professional recommendation, technical notice.)

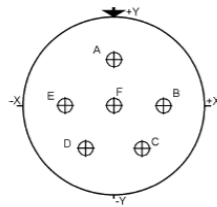
Country	Jurisdiction & Control List
FR	Not Listed

**PN: 8D011M98HC**

A	07-10-2016	First Release	
ISS	DATE	Latest modification - by	MOD N°
Designed By:		Date:	<b>CUSTOMER DRAWING</b>
<b>TITLE</b>	<b>Composite Receptacle 8D series</b>		
SCALE		General linear Tolerances: ±--	NPRDS / PROJECT <b>859</b>
NA			This document is the property of SOURIAU it must not be reproduced or communicated without permission
<b>SOURIAU</b>	<b>WWW.SOURIAU.COM</b>		
FORMAT	<b>A3</b>		SHEET 1/2
<b>SOURIAU DRG N° 8D011M98HC-C</b>			

BASIC SERIES:	8D	0	-	11	M	98	H	C	ORIENTATION : C
SHELL TYPE :	Square Flange Receptacle								CONTACT TYPE : PIN (1500 Matings)
CONTACT TYPE :	Standard Crimp Contact								CONTACT LAYOUT : 11-98
SHELL SIZE :	11								
PLATING :	M = Nickel								

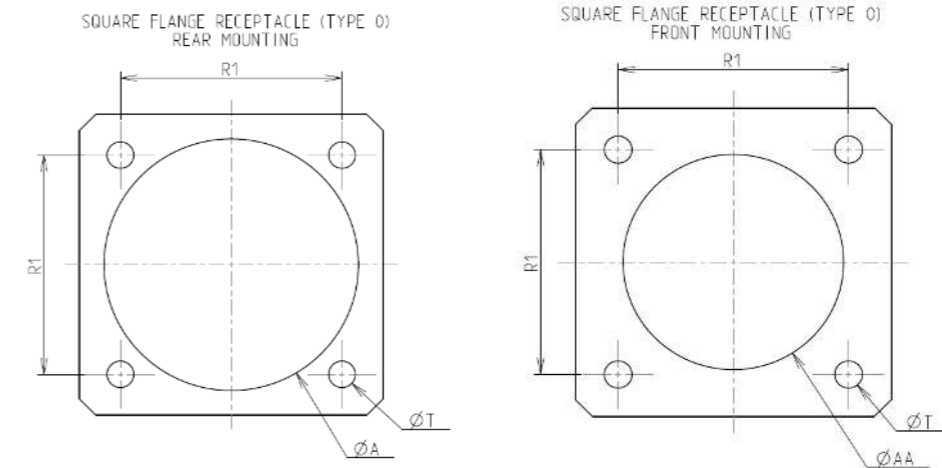
Contact Layout



Contacts (Insert arrangement 11-98)		
Contact position ID	Contact location	
	X-axis (mm)	Y-axis (mm)
A	+000 (0.00)	+130 (3.30)
B	+130 (3.30)	+000 (0.00)
C	+065 (1.65)	-113 (2.87)
D	-065 (1.65)	-113 (2.87)
E	-130 (3.30)	+000 (0.00)
F	+000 (0.00)	+000 (0.00)

Shell size	Arrangement no.	Number of contacts	Size contacts	Service rating	Contact location	Supersedes
11	-98	6	20	I	All	MS20050-98

Panel Cutout



Dim	Nominal
ØA	20.22 min
ØAA	15.88 min
R1	20.62
ØT	3.25 ±0.13

SOURIAU shall not be liable for any non-conformity or damage due to a use of the Products which does not comply with the Specifications issued by either of the Parties or by a third party (professional recommendation, technical notice.)

Country	Jurisdiction & Control List
FR	Not Listed

PN: 8D011M98HC

A	07-10-2016	First Release	
ISS	DATE	Latest modification - by	MOD N°
Designed By:		Date:	<b>CUSTOMER DRAWING</b>
<b>TITLE</b>	<b>Composite Receptacle 8D series</b>		
SCALE		General linear Tolerances:	NPRDS / PROJECT
NA		±--	<b>859</b>
<b>SOURIAU</b>	<b>WWW.SOURIAU.COM</b>		This document is the property of SOURIAU it must not be reproduced or communicated without permission
FORMAT	<b>SOURIAU DRG N° 8D011M98HC-C</b>		SHEET 2/2