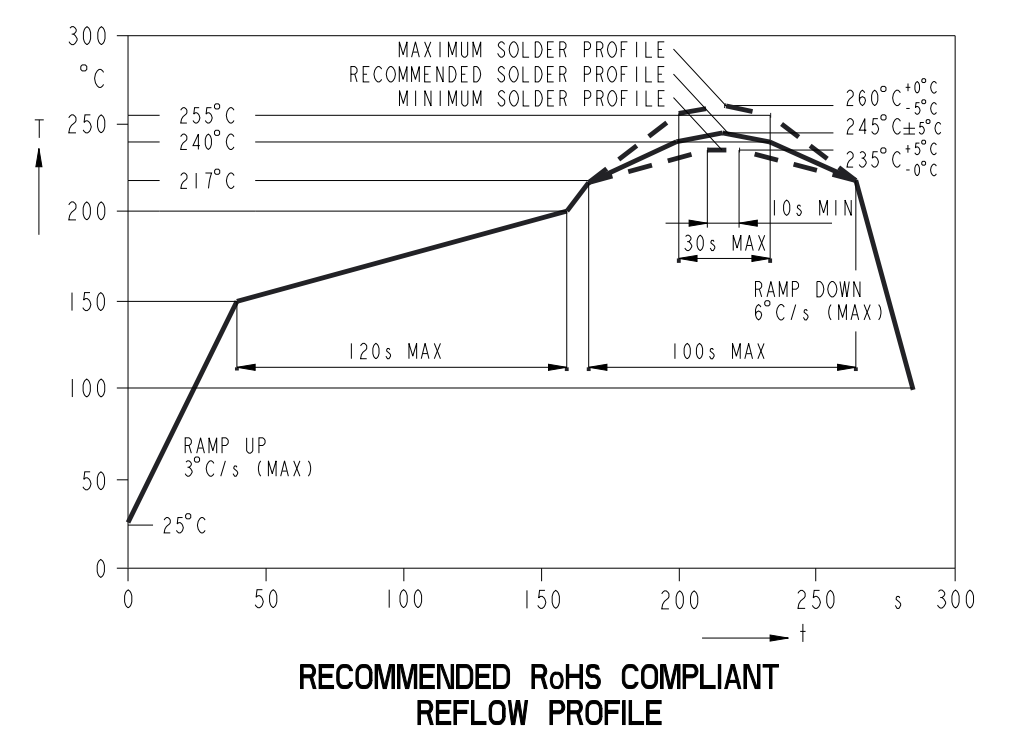
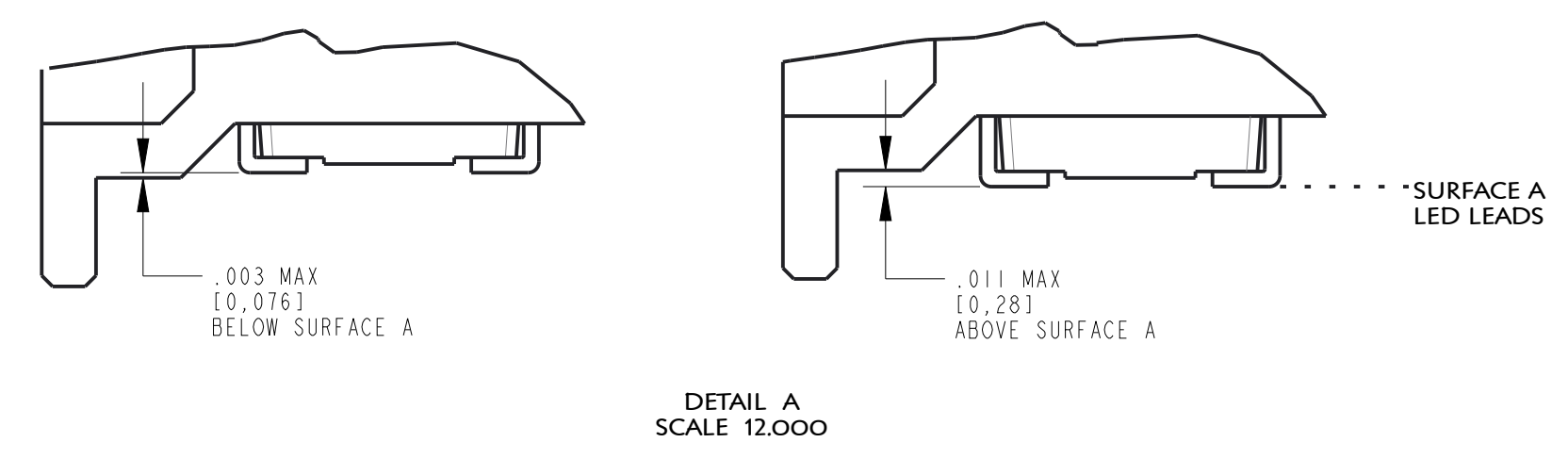
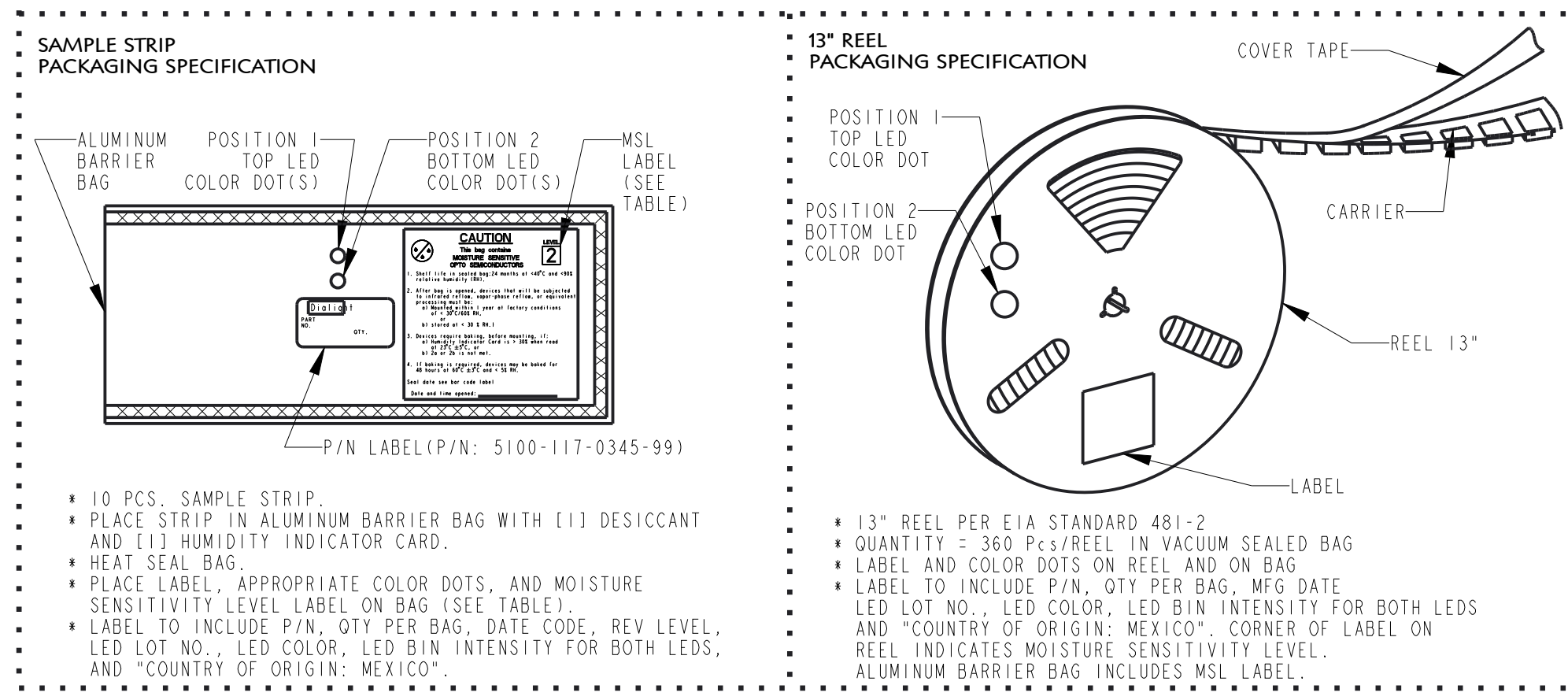


REV	REVISIONS	DRN	APP	DATE
A	NEW RELEASE	LD	NO	2-23-21
B	CORRECTED NOTE 2 WHICH HAD "NF" SUFFIX	LD	NO	4-7-21

DIALIGHT PART NUMBER	PACKAGING	POSITION 1	POSITION 2	MSL
592-2323-819SNF	13" REEL	GREEN	GREEN	2
592-2323-824SNF	SAMPLE STRIP			
592-2324-825SNF	SAMPLE STRIP	GREEN	YELLOW	2
592-2324-821SNF	13" REEL			



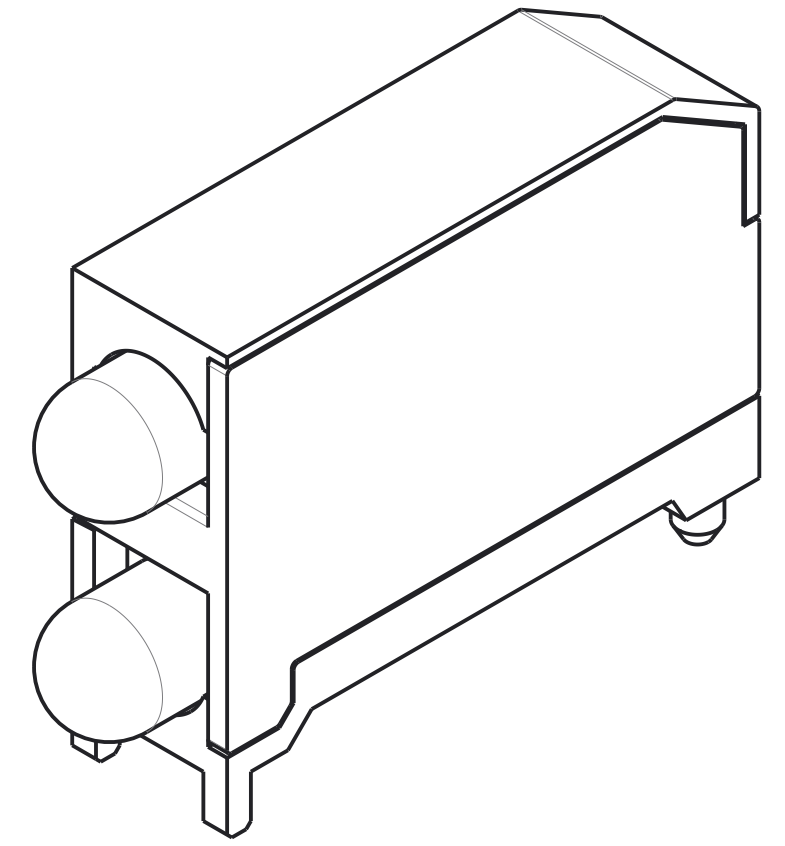
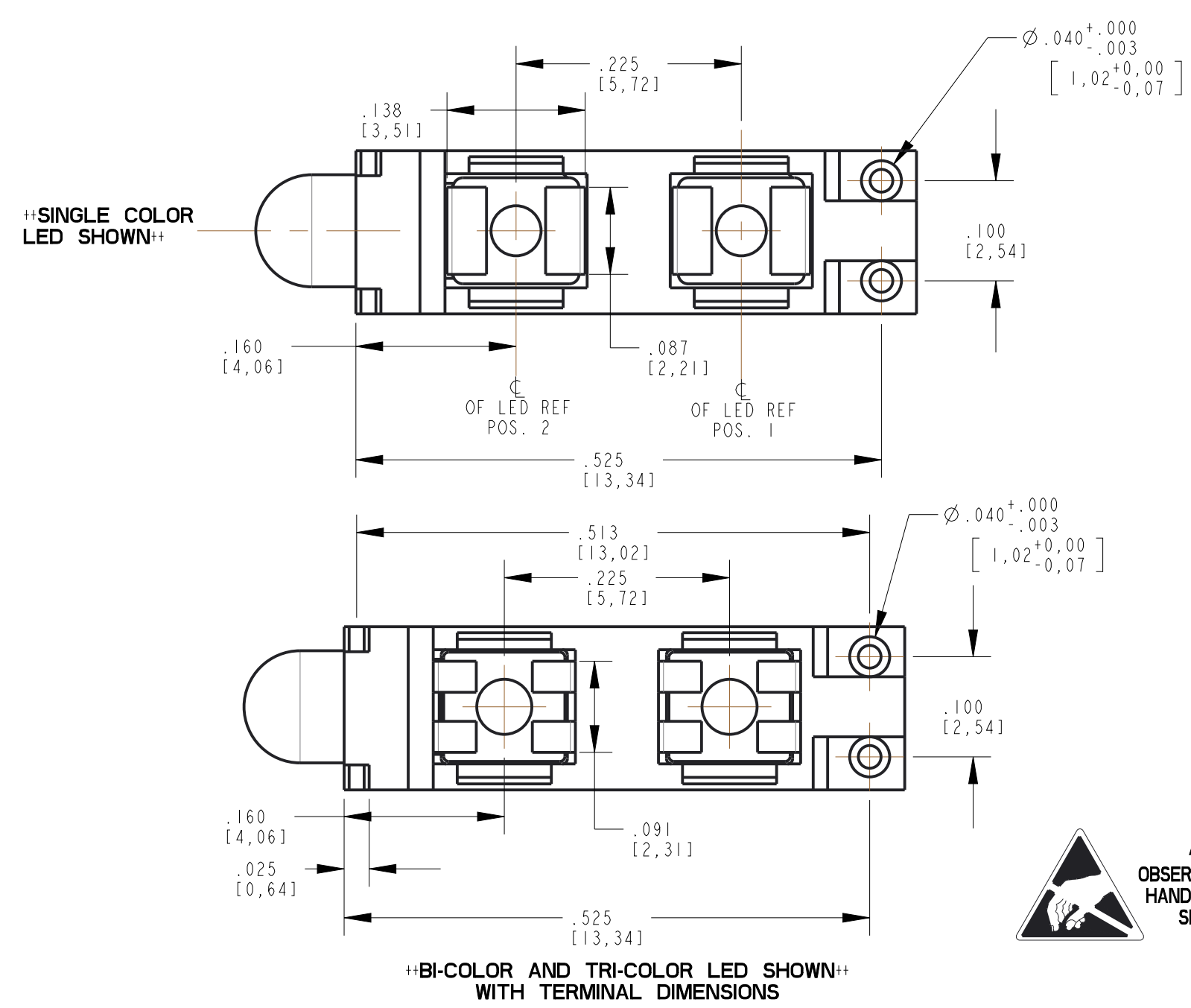
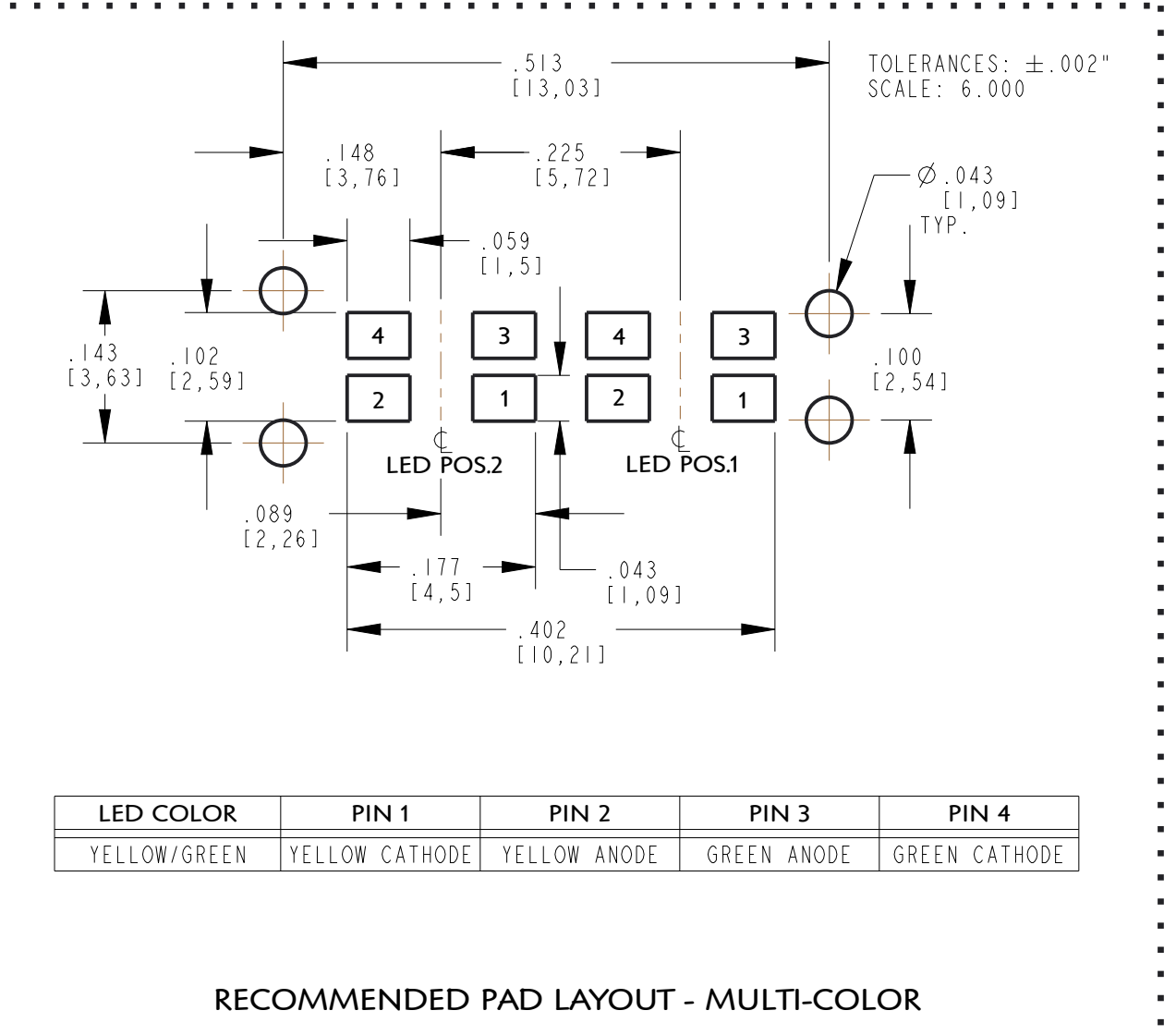
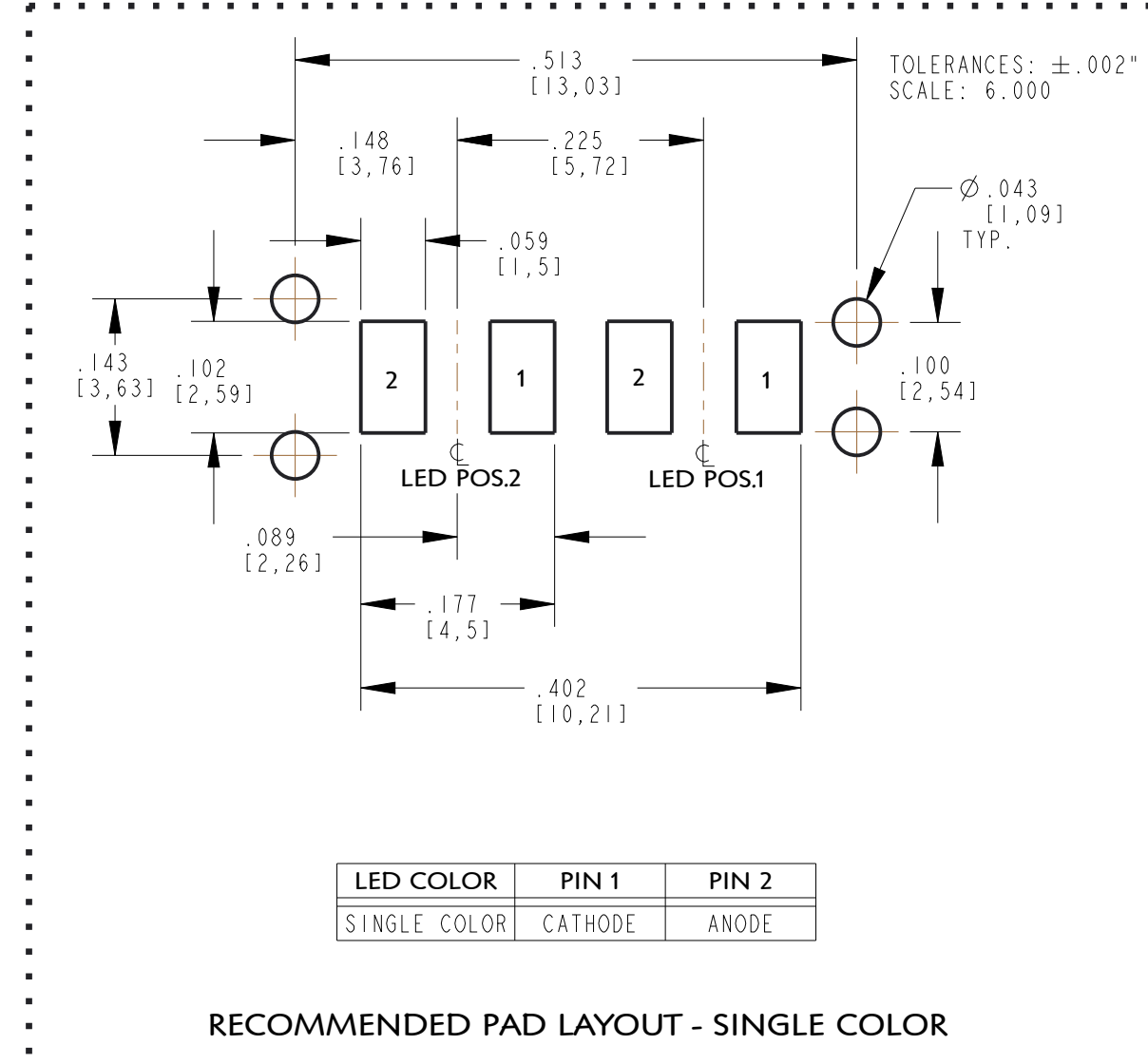
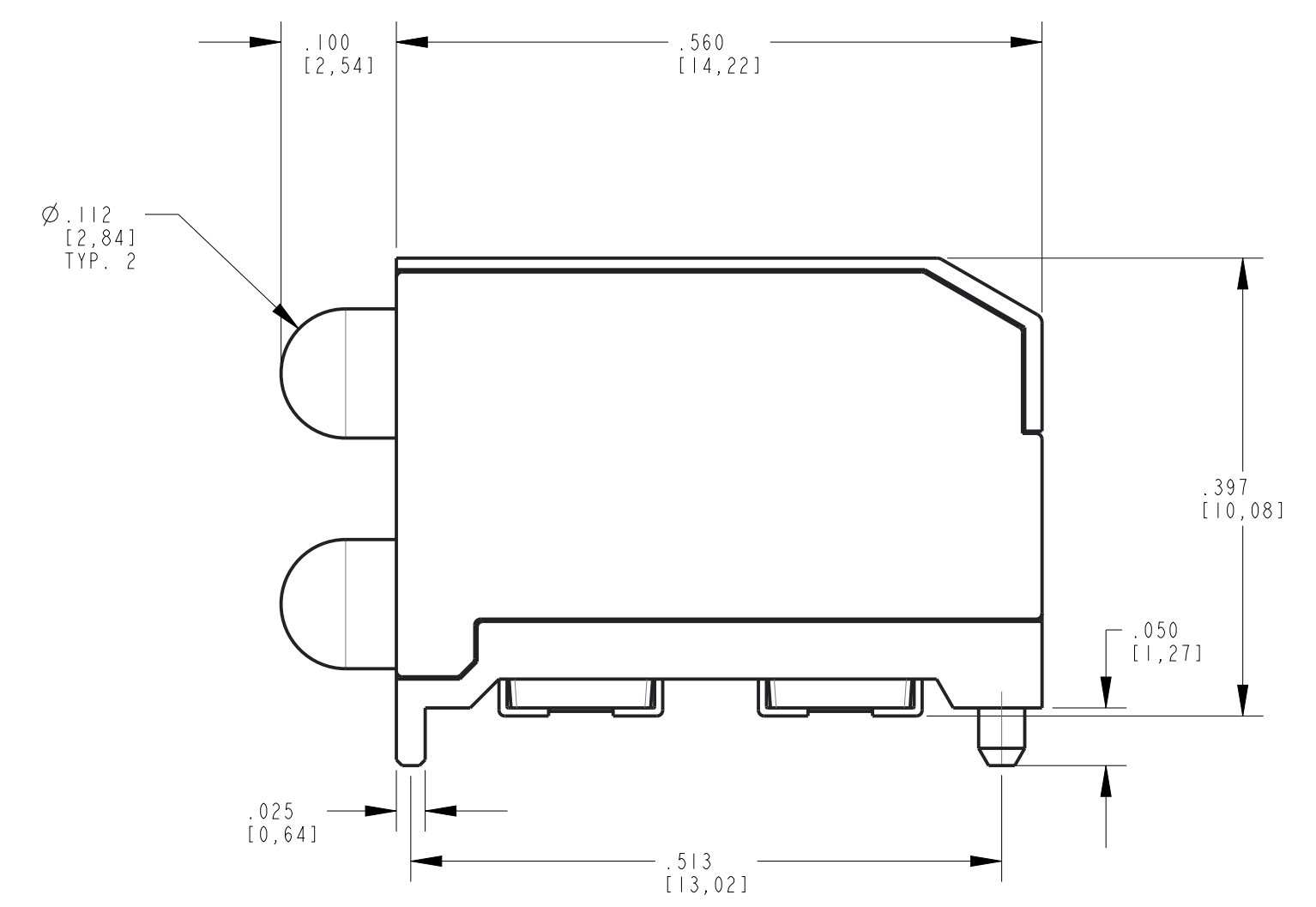
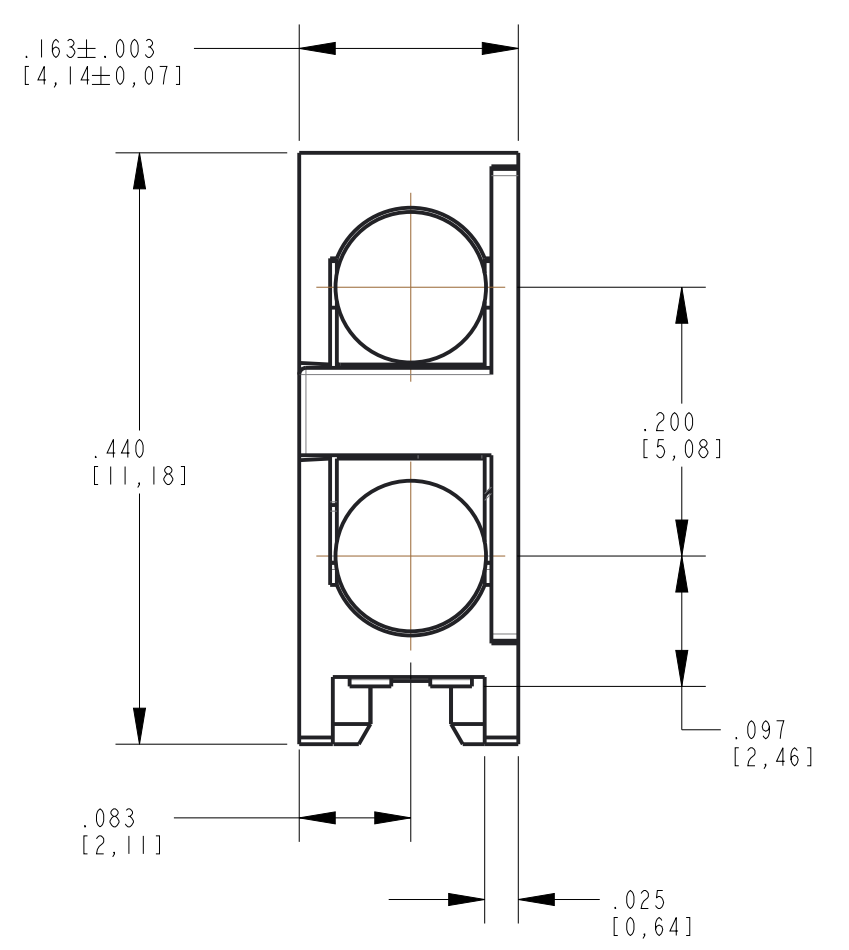
- NOTES :
- DIALIGHT PART NUMBERS: 592-XXXX-8XXSNF.
  - ...302SNF SUFFIX MEANS PARTS ARE SUPPLIED ON A 10 PCS. SAMPLE STRIP. ...313SNF SUFFIX MEANS PARTS ARE SUPPLIED ON A 13 INCH REEL, 300 pcs/REEL.
  - FRONT AND REAR TERMINALS [OF EACH LED] OF THE ASSEMBLY TO BE WITHIN .005" COPLANARITY.
  - STORAGE CONDITIONS FOR TAPED PRODUCT: RE-TAPING MAY BE NECESSARY FOR PRODUCT STORED MORE THAN TWELVE MONTHS.
  - PIN NUMBERS ARE FOR REFERENCE ONLY, DESIGNATION NON-EXISTENT ON PART.
  - MOISTURE SENSITIVITY LEVEL LABEL WILL BE PLACED ON BAG. CHECK CHART FOR PROPER LEVEL.
  - THIS ASSEMBLY CONTAINS ELECTROSTATIC DISCHARGE SENSITIVE DEVICES (ESDS). MAINTAIN ALL PRECAUTIONARY MEASURES DURING ASSEMBLY, HANDLING, AND STORAGE IN ACCORDANCE WITH IPC-A-610.
  - FLAMMABILITY RATING HOUSING: UL-94-V0 SILICONE LENS AND LED: UL-94HB

**OPERATING CHARACTERISTICS AT 25°C AMBIENT - SINGLE COLOR LEDS**

#	DESCRIPTION	LUMINOUS INTENSITY (mcd)	TEST CURRENT (mA)	DOMINANT WAVELENGTH (nm)			PEAK WAVELENGTH (nm)		FORWARD VOLTAGE (V) @ 20mA		REVERSE CURRENT (µA)	
				MIN	TYP	MAX	TYP	TYP	MAX	TYP	MAX	
23	GREEN	18	10	566	570	575	572	2.0	2.4	10 @ V <sub>R</sub> =12 V		
24	YELLOW	50	10	580	587	595	586	2.0	2.4	10 @ V <sub>R</sub> =5 V		

**ABSOLUTE MAXIMUM RATINGS AT 25°C AMBIENT SINGLE COLOR LEDS**

	GREEN	YELLOW	UNITS
PEAK FORWARD CURRENT (1/200 DUTY CYCLE, 10µs PULSE WIDTH)	1000	200	mA
CONTINUOUS FORWARD CURRENT	30	30	mA
LINEAR DERATING FROM 60°C, UNLESS OTHERWISE NOTED	1.0 (FROM 85°C)	1.0 (FROM 85°C)	mA/°C
REVERSE VOLTAGE	12	12	V
OPERATING TEMPERATURE	-40 TO +100		°C
STORAGE TEMPERATURE	-40 TO +100		°C



**ATTENTION: OBSERVE PRECAUTIONS FOR HANDLING ELECTROSTATIC SENSITIVE DEVICES**

THIS DRAWING AND THE CONTENTS HEREIN ARE CONFIDENTIAL AND THE SOLE PROPERTY OF DIALIGHT. REPRODUCTION OF THIS DRAWING OR CONSTRUCTION OF ANY PARTS WITHIN THIS DRAWING ARE FORBIDDEN WITHOUT THE WRITTEN CONSENT OF DIALIGHT.

SCALE: 8:000	DRAWING NUMBER	REV
ALL DIM'S IN: INCHES (MM)	C-18505	B
TOLERANCES: UNLESS OTHERWISE SPECIFIED	TITLE	MATERIAL
FRACTIONS: ±1/64	BI-LEVEL PRISM, SILICONE LENS	
DECIMALS (.XX): ±.01		
DECIMALS (.XXX): ±.005		
ANGLES: ±1°		
FINISH:		
FSCM 83330	Dialight	1501 ROUTE 34 SOUTH FARMINGDALE, NJ 07727
	SHEET 1 OF 1 FAMILY TABLE:	