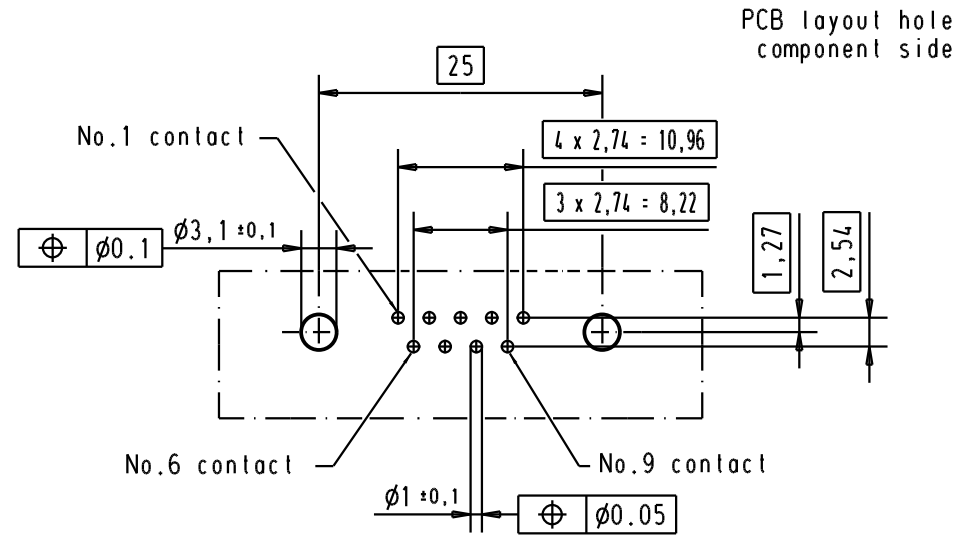
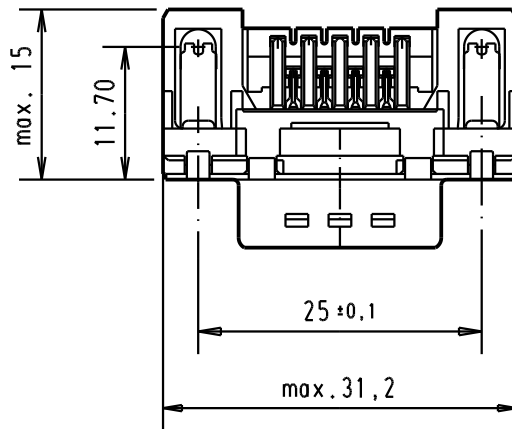
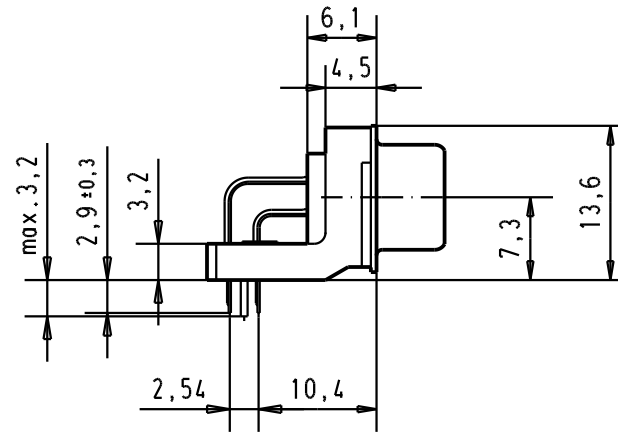
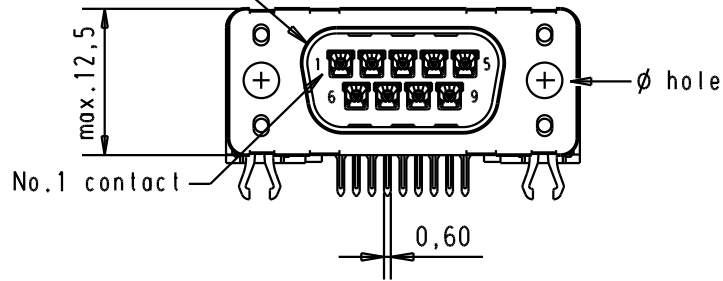



Mating face according to : MIL-C-24308 / DIN 41652 / CECC 75301-802



PCB layout hole component side

Connector retention and insertion forces on the PCB = 25 / 80 newtons

						Det.	Name	 All Dim. in mm Orig. Size DIN A 4	D-Sub, male, standard angle, 09 poles, with solder pin, hole and grounding board lock	Maßstab/ Scale 1.5:1
						Detail.	ALSPACE			
						Insp.				
			31892	22/04/04	JH					
09 65 162 3810	3.1 ± 0.1	1	31084	04/09/02	YT	Stand.				
09 65 162 6810	3.1 ± 0.1	2	29689	03/07/01	AA					
09 65 162 7810	3.1 ± 0.1	3	27960	15/dec/00	ALSPACE					
Part number	ø hole	Performance level	Mod.	Det.	Name	HARTING EURL F-95972 Paris			TB 0965162x81x Sub.	Blatt/ Page 4

