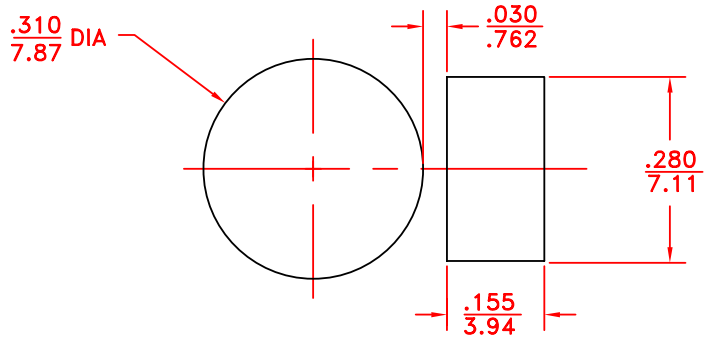
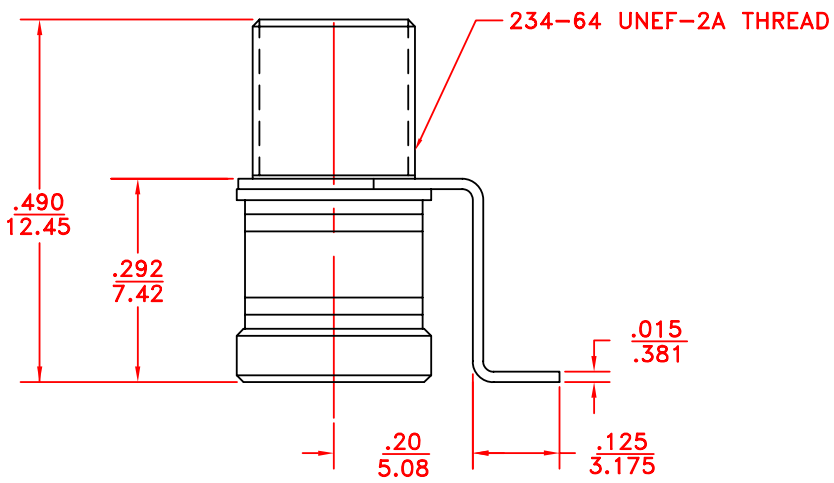
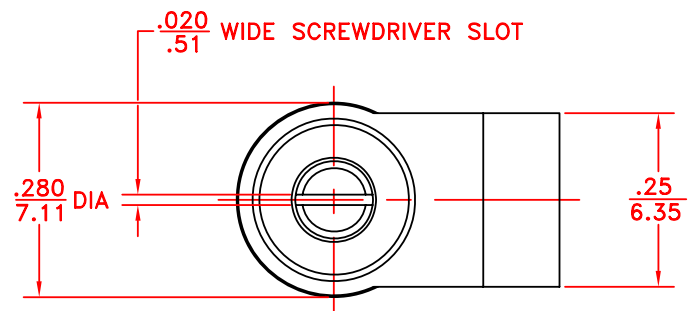


REV	DESCRIPTION	DATE	APP
00	NEW DRAWING	10/10/12	



SUGGESTED MOUNTING PAD LAYOUT

NOTES:

1. Cmax > 20 pF
2. Cmin below 2.0pF
3. Working voltage 1000 VDC
4. Withstanding voltage 2000 VDC
5. Q @ Cmax and 100 MHZ over 2000
6. Operating temperature -65° C to +125° C
7. Torque .5 to 5.0 oz-in
8. Rotational life 10,000 turns
9. Dimensions: (in/mm)
10. Construction: nonmagnetic

TOLERANCES: (EXCEPT AS NOTED)				SPRAGUE GOODMAN ELECTRONICS INC. 1700 SHAMES DRIVE WESTBURY, NY 11590			
DECIMAL: ±0.002 in ±0.051 mm		MATERIAL:		SCALE: 4:1		DRAWN BY: R. LEVIN	
FRACTIONAL: 1/64		TITLE: OUTLINE DWG SGNMA3T20009				APPROVED: D. DITLYA	
ANGULAR: 1°		DATE: 10/10/12		DRAWING NUMBER SGNMA3T20009		USED FOR: REV. 00	