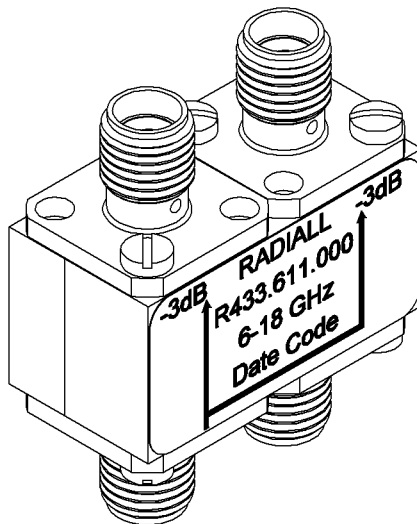
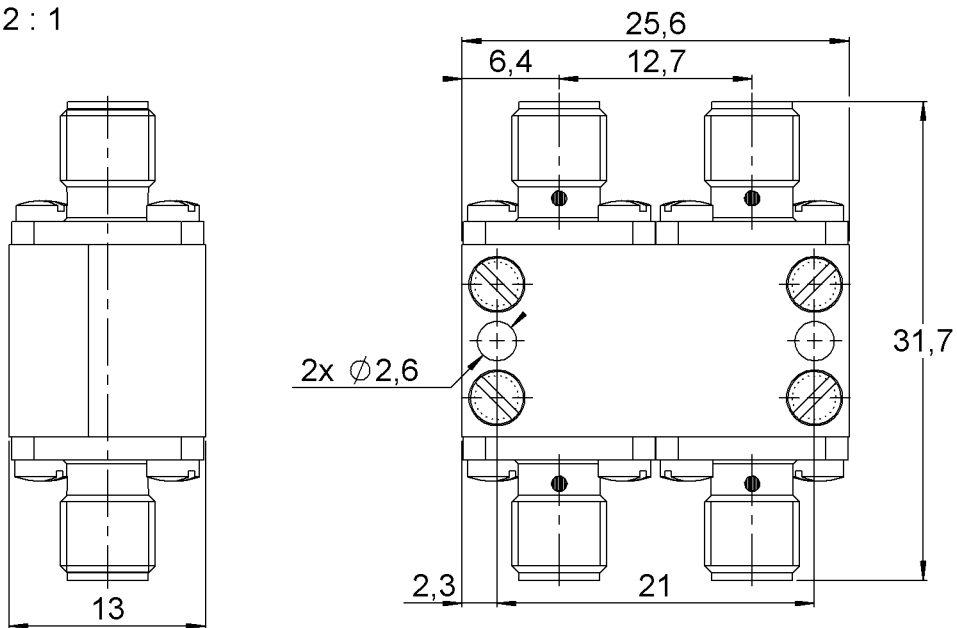
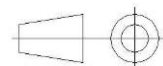


PAGE 1/2	ISSUE 06-12-19A	SERIES COUPLER	PART NUMBER R433611000
----------	-----------------	--------------------------	-------------------------------

Scale 2 : 1



All dimensions are in mm. Tolerances according to ISO 2768 m-H



Weight **22,3000** g
Specification

PAGE 2/2	ISSUE 06-12-19A	SERIES COUPLER	PART NUMBER R433611000
----------	-----------------	--------------------------	-------------------------------

ELECTRICAL CHARACTERISTICS

Frequency operating range :	6 – 18 GHz
Impedance :	50 Ω
VSWR :	1.35 max.
Nominal Coupling :	3 dB
Insertion Loss :	0.6 dB max.
Isolation :	16 dB mini
Amplitude Balance :	± 0.6 dB
Phase Balance :	90° ±6°
Average Power at 25°C	30W
Peak Power at 25°C	3000W

MECHANICAL CHARACTERISTICS

Connector type :	SMA female per MIL-C 39012
------------------	----------------------------

ENVIRONMENTAL CHARACTERISTICS

Operating temperature :	-25°C / +85°C
Storage temperature :	-40°C / +100°C