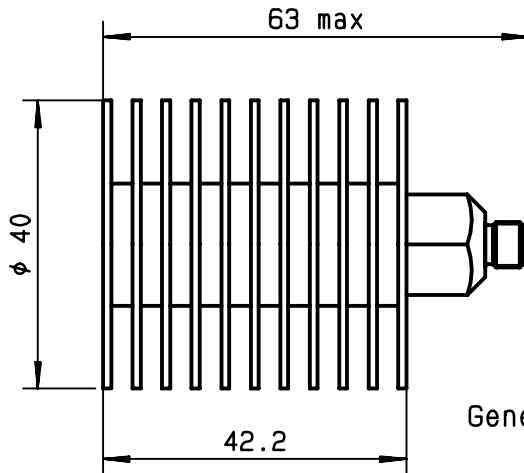


**TITLE:** 20 W 18GHZ SMA/fem COAXIAL TERMINATION

**LTR. B**

## DRAWING



General tolerances: +/- 0.5 mm

## ELECTRICAL CHARACTERISTICS

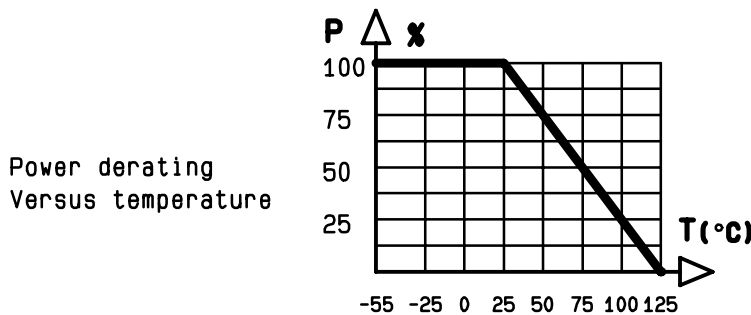
FREQUENCY RANGE	:	DC - 18GHz
IMPEDANCE	:	50 Ohms
DC RESISTANCE	:	50 Ohms ± 5 %
AVERAGE POWER HANDLING	:	20 W at 25°C
PEAK POWER HANDLING	:	300 W ( 1 μs, 1%. ) at 25°C
V.S.W.R :	DC - 8 GHz	: <= 1.20
	8 - 12.4 GHz	: <= 1.25
	12.4 - 18 GHz	: <= 1.35

## MECHANICAL CHARACTERISTICS

CONNECTOR	:	SMA female per MIL C 39012
MAXIMUM WEIGHT	:	80 grams

## ENVIRONMENTAL CHARACTERISTICS

OPERATING TEMPERATURE RANGE (°C)	:	-55 , +125
STORAGE TEMPERATURE RANGE (°C)	:	-55 , +125



Tentative data subject to change without notice

<b>PEN</b> <b>CAT</b>	QUALITY Dpt App.				
<b>PAGE</b> 1 / 1	<b>DATE</b> 01.03.90	<b>NAME</b> DP	B	New format	22.10.92 PG
			LTR	<b>REVISIONS</b>	<b>DATE</b> <b>APP.</b>