



**ANATECH ELECTRONICS INC**  
RF & Microwave Filters & Products

# 1747.5 MHz / 1842.5 MHz Ceramic Duplexer

**Part Number: AM1747-1842D1091-C**



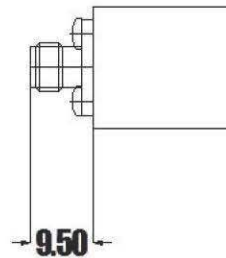
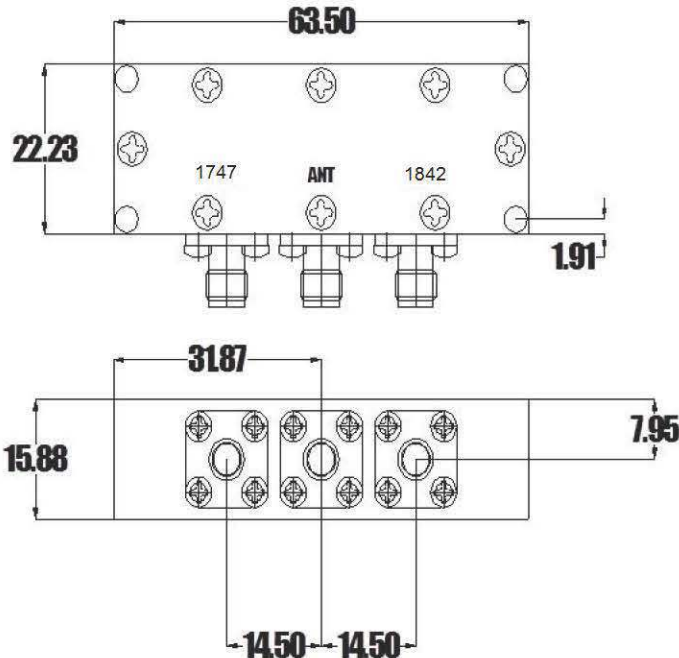
<u>Characteristics</u>	<u>Band 1</u>	<u>Band 2</u>
<b>Passband:</b>	1805-1880 MHz	1710-1785 MHz
<b>Bandwidth:</b>	75 MHz	75 MHz
<b>VSWR:</b>	1.5:1 Max	1.5:1 Max
<b>Passband Insertion Loss:</b>	3.5 dB	3.5 dB
<b>Passband Ripple:</b>	2.5 dB	2.5 dB
<b>Input / Output Impedance:</b>	50 Ohms	50 Ohms
<b>Isolation:</b>	40 dB	40 dB
<b>Power Handling:</b>	5 Watts	5 Watts

<u>Mechanical</u>	
<b>Connector Type:</b>	SMA (F)
<b>Dimensions:</b>	63.50 x 22.23 x 15.88 mm

<u>Environmental</u>	
<b>Operating Temperature:</b>	-40 to +85 deg.C
<b>Storage Temperature:</b>	-50 to +90 deg.C

**This product is RoHs compliant.**

## Outline Drawing:



CONNECTION : PORT : SMA(Female)-All  
Ports TOLERANCE : ±0.30  
UNIT : mm



**ANATECH ELECTRONICS INC**  
RF & Microwave Filters & Products

# 1747.5 MHz / 1842.5 MHz Ceramic Duplexer

Part Number: AM1747-1842D1091-C

