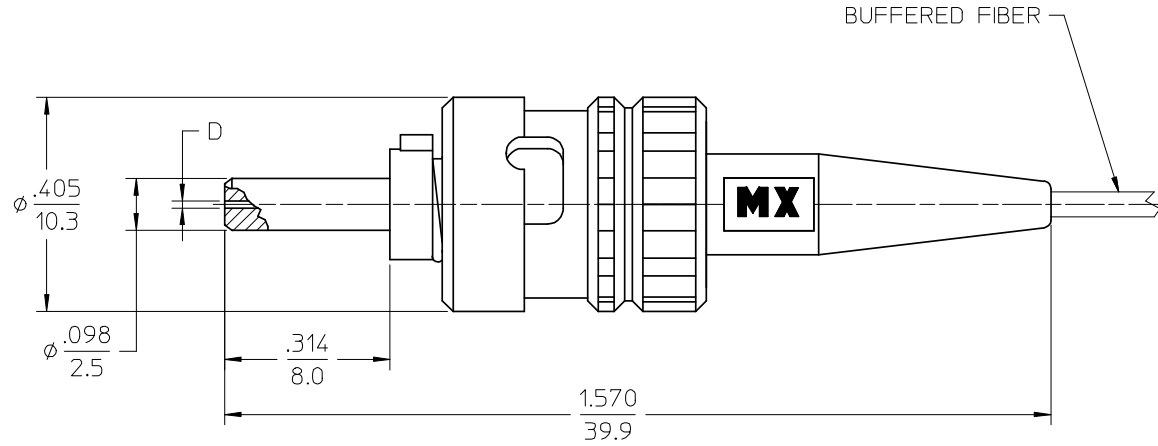


CONNECTOR P/N	D (μm)	FERRULE MATERIAL	BOOT COLOR	COUPLING NUT COLOR	CABLE TYPE
106010-0500	127	Zr PLUS	BLACK	BLACK	MULTIMODE
106010-0510*					SINGLE MODE
106010-2500	125.5	Zr			MULTIMODE
106010-3500	128				SINGLE MODE
106010-5500	126				MULTIMODE
106010-5510*					SINGLE MODE
106010-7500	127				



NOTES:

*1. P/N 106010-0510 AND 106010-5510 ARE BULK PACKED IN QUANTITIES OF 100 PCS.

ENTER DESCRIPTION EC NO: MF2008-0531 DRWN: IGUMIN CHKD: IGUMIN APPR: IGUMIN REV B1	2008/06/03 2008/06/03 2008/06/03	QUALITY SYMBOLS ▽=0 ▽=0	GENERAL TOLERANCES (UNLESS SPECIFIED)		DIMENSION STYLE IN/MM		SCALE 4:1	DESIGN UNITS INCH	THIRD ANGLE PROJECTION
	4 PLACES		±---	±---	DRAWN BY	DATE	TITLE ST BARE FIBER CONNECTOR		
	3 PLACES		±---	±---	RPACIFICI	2005/12/22			
	2 PLACES		±---	±---	CHECKED BY	DATE			
1 PLACE	±---	±---	APPROVED BY IGUMIN		DATE 2005/12/22	MOLEX INCORPORATED		SHEET NO. 1 OF 1	
ANGULAR ±1/2°			MATERIAL NO. SEE TABLE		DOCUMENT NO. SD-106010-X5X0				
DRAFT WHERE APPLICABLE MUST REMAIN WITHIN DIMENSIONS			SIZE B		THIS DRAWING CONTAINS INFORMATION THAT IS PROPRIETARY TO MOLEX INCORPORATED AND SHOULD NOT BE USED WITHOUT WRITTEN PERMISSION				