

THIS DRAWING IS UNPUBLISHED.

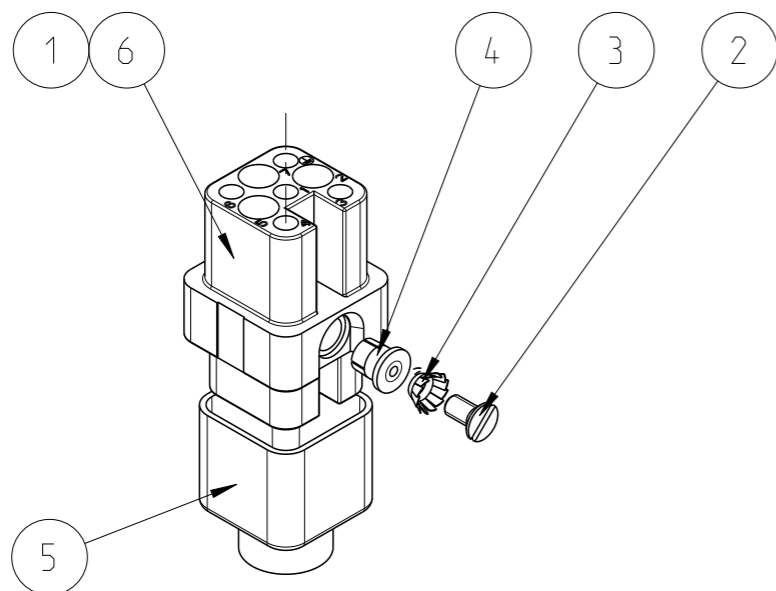
RELEASED FOR PUBLICATION

2006

© COPYRIGHT 2006 Tyco Electronics AMP GmbH

ALL RIGHTS RESERVED.

LOC	DIST	REVISIONS					
		P	LTR	DESCRIPTION	DATE	DWN	APVD
A1	-		B5	ECR-11-013895	29JUN2011	SR	BR
			B6	ECR-11-017365	19AUG2011	SR	BR
			B7	ECR-21-123464	09MAR2022	RK	JB



Notes

- 1 SUITABLE CRIMP CONTACTS:
 -SERIES TYPE III+; CUSTOMER DRAWING: 163083
 -SERIES C12; CUSTOMER DRAWING: 927890
 -SERIES HD.M; CUSTOMER DRAWING: 1105001
 -WIRE INSULATION: MAX. Ø4.2 MM
 -DIMENSIONS: (OVER ALL) 21x21x32mm
- 2 SUITABLE INSERTION TOOL:
 CUSTOMER DRAWING: 1102855-1
- 3 SUITABLE EXTRACTION TOOL:
 CUSTOMER DRAWING: 1102855-6
- 4 STANDARDS:
 DIN EN 61984, DIN EN 60664-1
- 5 AUTHORIZATION; UL: UL-FILE NR.: E101788(R)
- 6 PACKAGING:
 PN 2-3 10 SETS IN A CARTON, PRE-MOUNTED
 PN 2-4 500 SETS IN A CARTON, PRE-MOUNTED

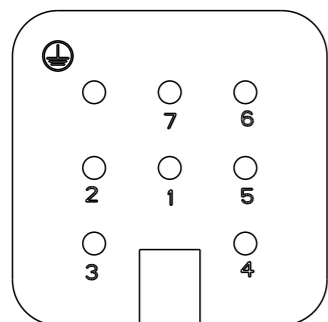
OBSOLETE

QTY	DESCRIPTION	MATERIAL	COLOR	ITEM	NOTES
1	FEMALE INSERT	PA66-GF25	LIGHT GREY	6	SERIES HD7, 8-POS., TYPE III+, SIZE1
1	INSULATION COVER	NBR65	BLACK	5	SERIES HD7
1	SCREW THREAD INSERT	BRASS		4	M3x5.5, AFTERMOULD
1	WASHER, SERRATED LOCK	STAINL. STEEL		3	V3.4, DIN 6798 JULY 1988
1	SCREW, SLOTTED COUNTERSUNK FLAT HEAD	STAINL. STEEL		2	M3x6 DIN EN ISO 2009
1	FEMALE INSERT	PC-GF20	LIGHT GREY	1	SERIES HD7, 8-POS., TYPE III+, SIZE1
2-4	DESCRIPTION	MATERIAL	COLOR	ITEM	NOTES

HD.7.BU.C.250V

HD.7.BU.C.La.250V

CONTACT ARRANGEMENT
VIEW FROM TERMINATION SIDE



THIS DRAWING IS A CONTROLLED DOCUMENT.

DIMENSIONS: mm	TOLERANCES UNLESS OTHERWISE SPECIFIED:
	0 PLC ± 1 PLC ± 2 PLC ± 3 PLC ± 4 PLC ± ANGLES ±°
MATERIAL -	FINISH -

DWN R.SCHNEIDER 09APR2002	TE Connectivity NAME FEMALE INSERT ASSY SERIES HD.7 - SIZE A3 CAGE CODE 00779 DRAWING NO C=1103001 RESTRICTED TO -
CHK M.SCHWEIGER 09APR2002	
APVD T.SCHNURPFIL 09APR2002	
PRODUCT SPEC 108-74002	
APPLICATION SPEC -	WEIGHT -