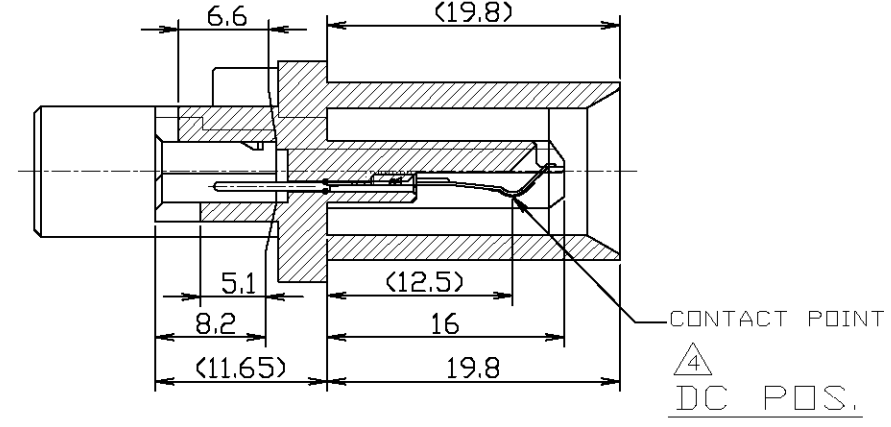
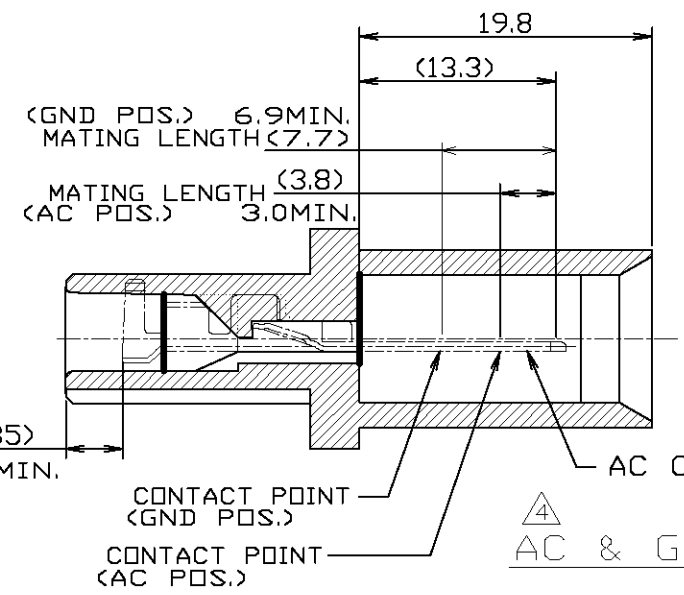
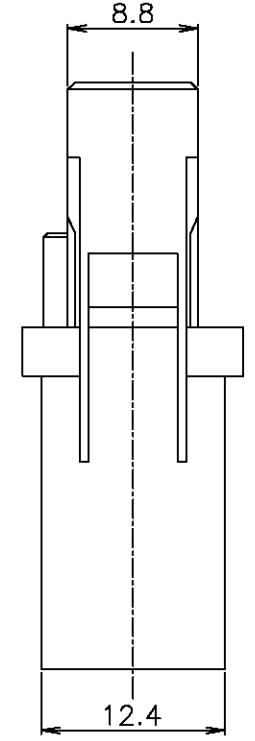
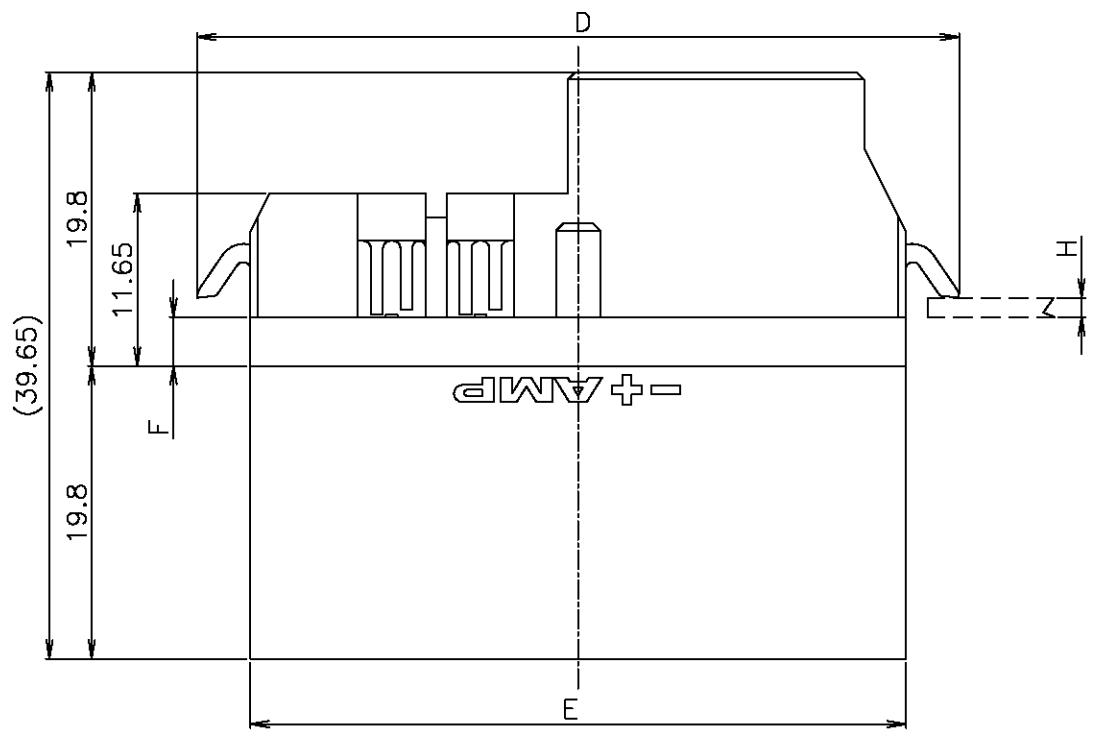
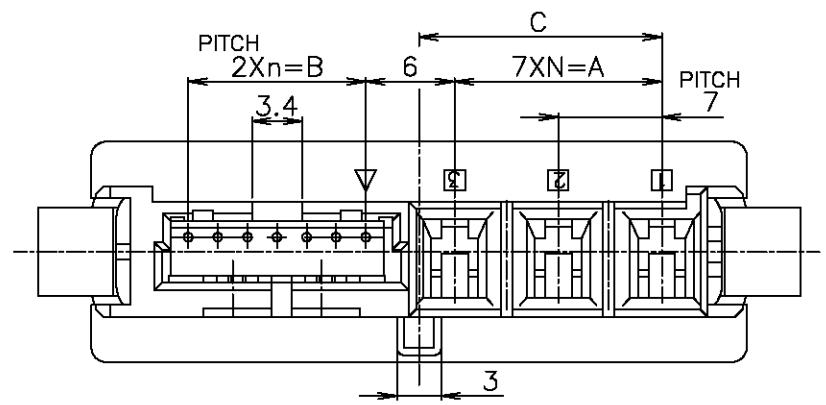


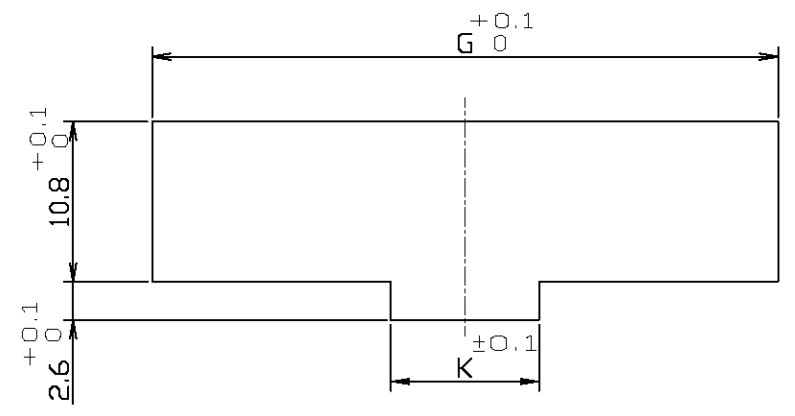
THIS DRAWING IS UNPUBLISHED. RELEASED FOR PUBLICATION  
 © COPYRIGHT 2001 BY TYCO ELECTRONICS CORPORATION. ALL RIGHTS RESERVED.

LOC		DIST		REVISIONS			
ES	00	P	LTR	DESCRIPTION	DATE	DWN	APVD
		A		REVISED FB00-0217-04	16DEC04	H.H	I.E



- NOTES
- MATERIAL  
HOUSING: THERMO PLASTIC (BLACK)  
CONTACT: COPPER ALLOY
  - CONTACT FINISH  
MATING SIDE: NICKEL PL.  
ALL OVER GOLD PL.  
CT MATING SIDE: NICKEL PL.  
ALL OVER MATTE TIN PL.
  - APPLIED AC CONTACT P/N
- | FINISH  | AWG    | P/N        |
|---------|--------|------------|
| TIN PL. | #16~20 | 1-179321-2 |
| Au PL.  | #16~20 | 179321-3   |
- AC: POWER CONTACT (UNLOADED)  
DC: SIGNAL CONTACT (PRELOADED)
  - CORE-OUT ARE AT RANDOM.

PANEL CUT DIMENSIONS



MT TYPE: 173977-7 CLIMPII TYPE: 178228-7	1-292192-3	1.2 ±0.08	10	15 MAX	46.3	3.3	44.3	51.5	16.4	12	14	6	2	DC7 AC3	2-292189-3
APPLIED CT CONN P/N	MATING COUNTER P/N	APPLIED PANEL THICKNESS H	K	J	G	F	E	D	C	B	A	n	N	POS	PART NO.

THIS DRAWING IS A CONTROLLED DOCUMENT.

DIMENSIONS: MM	TOLERANCES UNLESS OTHERWISE SPECIFIED:	DWN J.JIANG 05FEB03		Tyco Electronics Corporation Shanghai, P.R.China, 200233
0-PLC ± ±0.3 1-PLC ± ±0.3 2-PLC ± ±3° 3-PLC ± ± 4-PLC ± ± ANGLES ± ±	FINISH MATERIAL	CHK S.YAO 05FEB03 APVD T.SASAKI 05FEB03 PRODUCT SPEC 108-60023 APPLICATION SPEC		
MATERIAL		WEIGHT	SIZE A3	CAGE CODE 00779
CUSTOMER DRAWING		SCALE 2:1	DRAWING NO C-292189	RESTRICTED TO
		SHEET 1 OF 1	REV A	