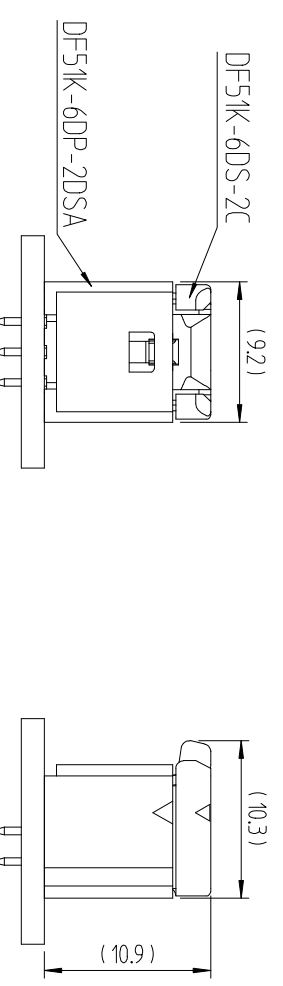
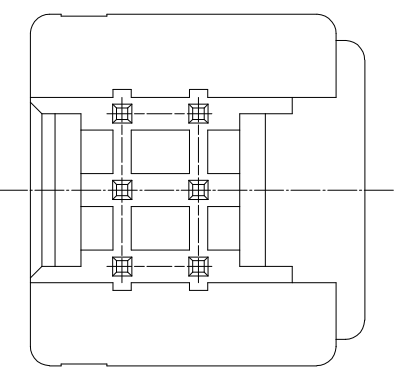
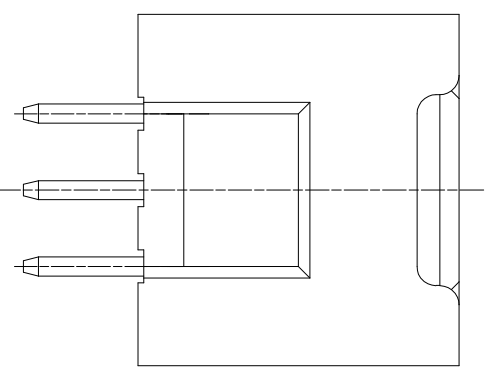
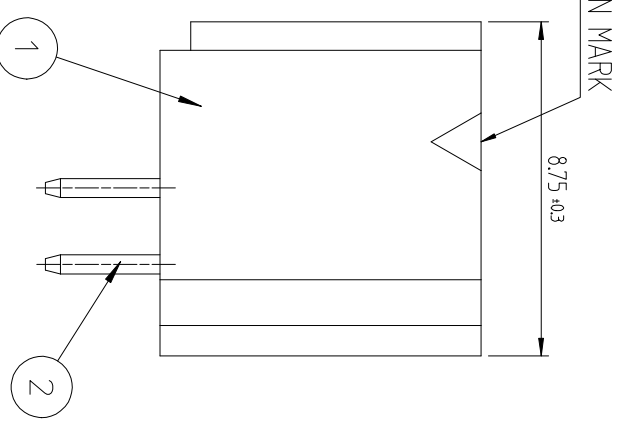
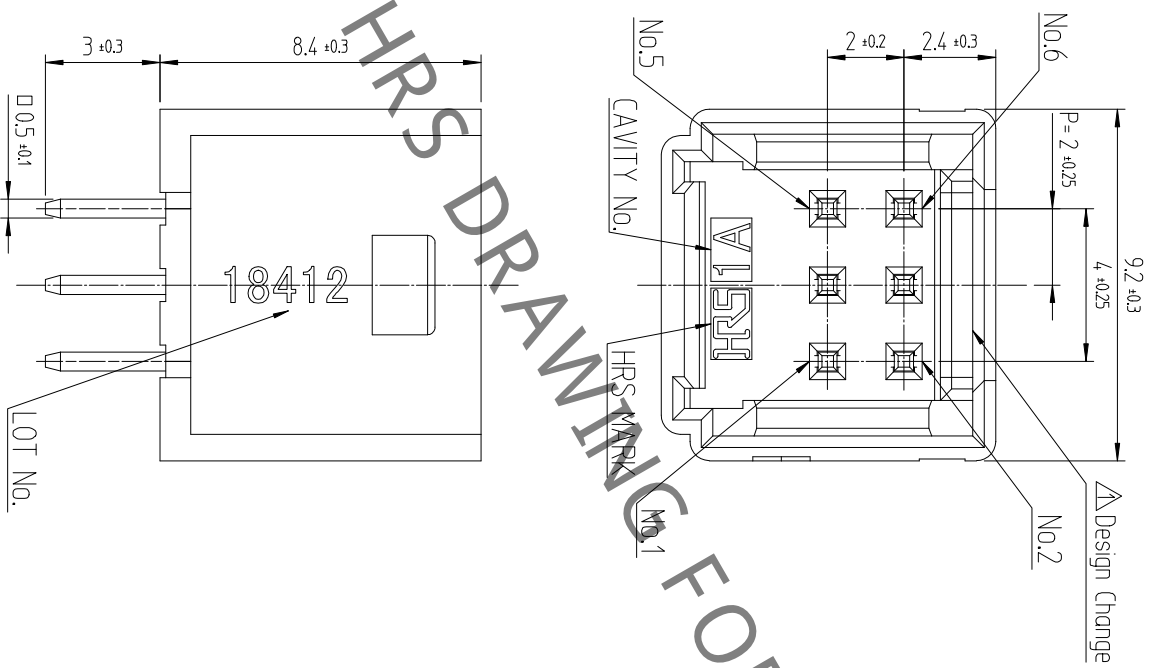
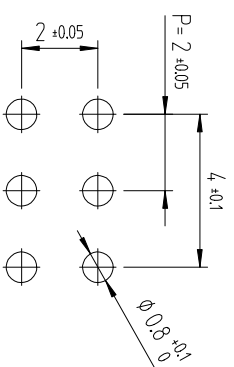


△數 COUNT	訂正事項 DESCRIPTION OF REVISIONS	擔當 B Y	檢圖 CHKD	年月日 DATE	△數 COUNT	訂正事項 DESCRIPTION OF REVISIONS	擔當 B Y	檢圖 CHKD	年月日 DATE
△1	RE-6-1150	K.I.Y	L.S.M	18. 07. 04	△				..
△2	RE-6-1579	K.I.Y	L.S.M	20. 01. 23	△				..

RECOMMENDED LAND PATTERN (FREE)  
 (PCB THICKNESS t=1.6mm)



ENGAGEMENT FIGURE (2:1)

NOTE 1. 1PACK CONTAINS 100PCS.

2. ( ) DIMENSIONS ARE ONLY REFERENCE.

△ 3. UL(File No. E132750) AUTHORIZATION ARTICLE.  
 C-UL(File No. E132750) AUTHORIZATION ARTICLE.

1	△ PA66	UL94V-0, BLACK	2	BRASS	TIN PLATING 1μm MIN, OVER NICKEL 0.5μm MIN
NO. MATERIAL		FINISH.REMARKS	NO. MATERIAL		FINISH.REMARKS
CODE NO. (OLD)			CODE NO.		
DRAWN		CHOI 17.12.22 J.S	DESIGNED		CHOI 17.12.22 J.S
CHECKED		LIM 17.12.22 S.M	APPROVED		KANG 17.12.22 T.S
RELEASED		ENG 20.02.12 DEPT			
DRAWING NO.		PART NO.			
EDC3-632458		DF51K-6DP-2DSA (800)			
SCALE 5:1		CODE NO.		CL 6652-0007-8-800	
UNITS mm					



HRS DRAWING FOR REFERENCE