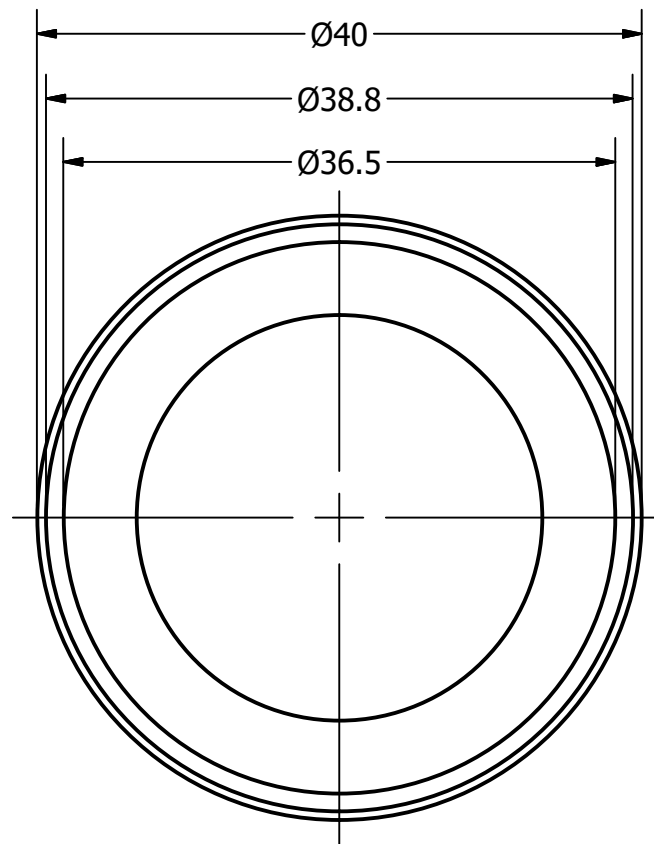
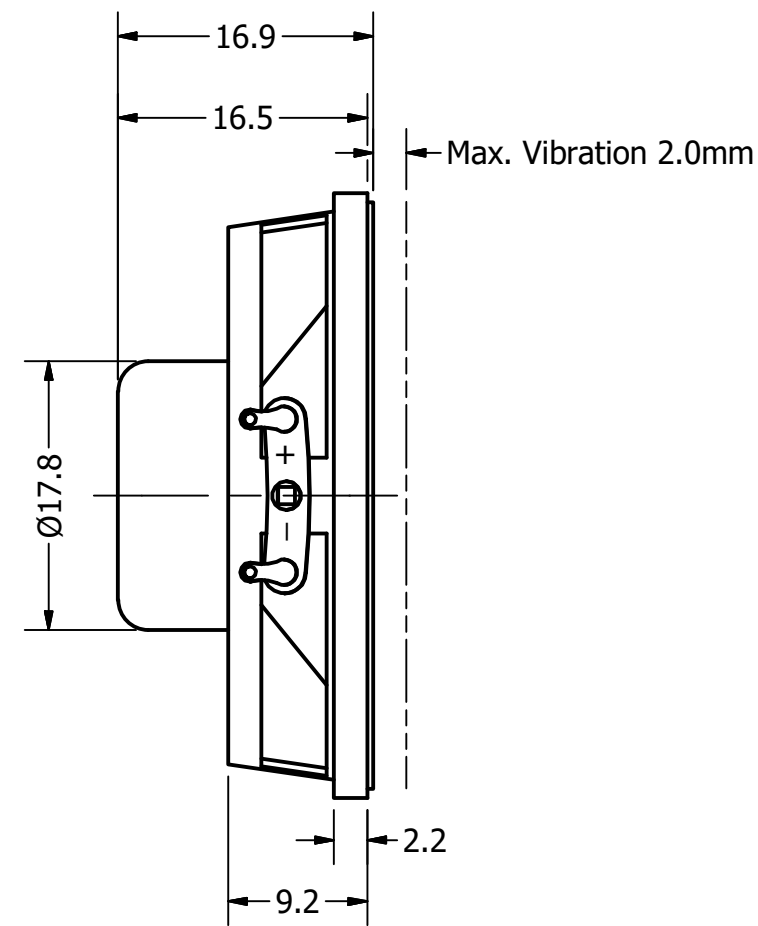


Part Number:	SM400204-1	
DESCRIPTION:	Dynamic Speaker	
DRAWN	CJ	2/7/2018
CHECKED	J.S.	2/8/2018
APPROVED	C.E.	2/8/2018
This document contains data proprietary to DB Unlimited. Any use or reproduction, in any form, without prior written permission of DB Unlimited is prohibited. All terms and conditions can be found at www.dbunlimitedco.com		

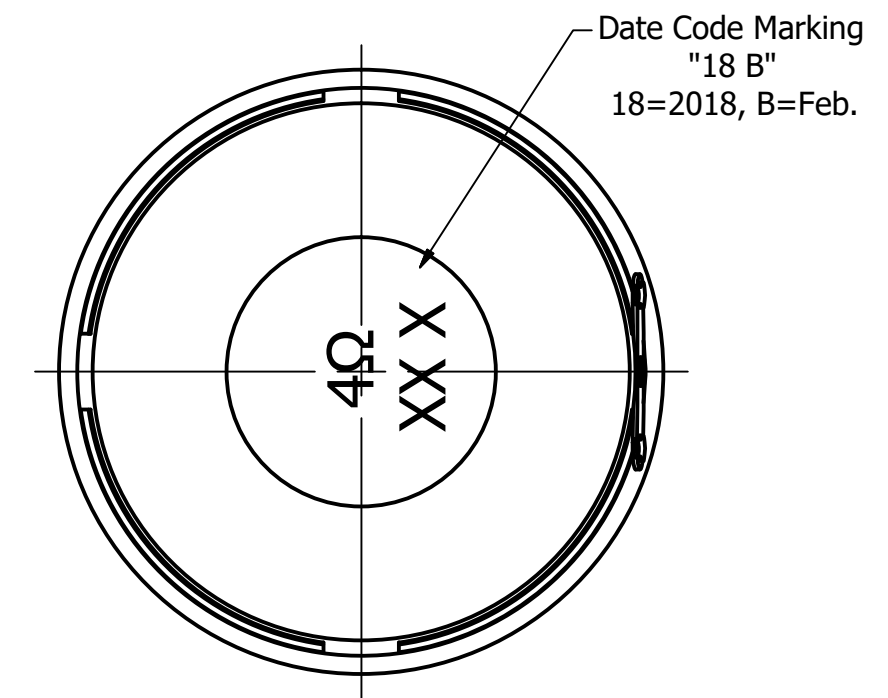
Top View



Side View



Bottom View



Items	Specifications	Conditions	REVISION HISTORY			
Sound Pressure Level	99	dB (@ 10cm), Avg.	REV	DESCRIPTION	DATE	APPROVED
Resonant Frequency	220	Hz	1	Released from Engineering	2/8/2018	C.E.
Frequency Range	220 ~ 20,000	Hz	2	Removed lead wires	2/19/2018	C.E.
Nominal Power	3	W		Updated tolerances	4/19/2018	C.E.
Max. Power	4	W				
Impedance	4	Ω				
			NOTES			
Cone Material	PU + Aluminum		1) All dimensions are in mm unless otherwise noted			
Mount Type	Flush Mount		2) All tolerances are ± 0.5 mm unless otherwise noted			
Storage Temperature	-20 ~ +55	°C	3) All parts meet RoHS			
Operating Temperature	-20 ~ +55	°C	4) Subject to change or redrawn without notice			
Weight	18.5	g				