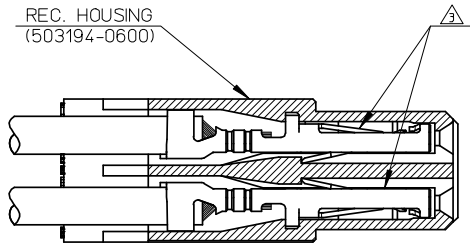


注記
NOTES:

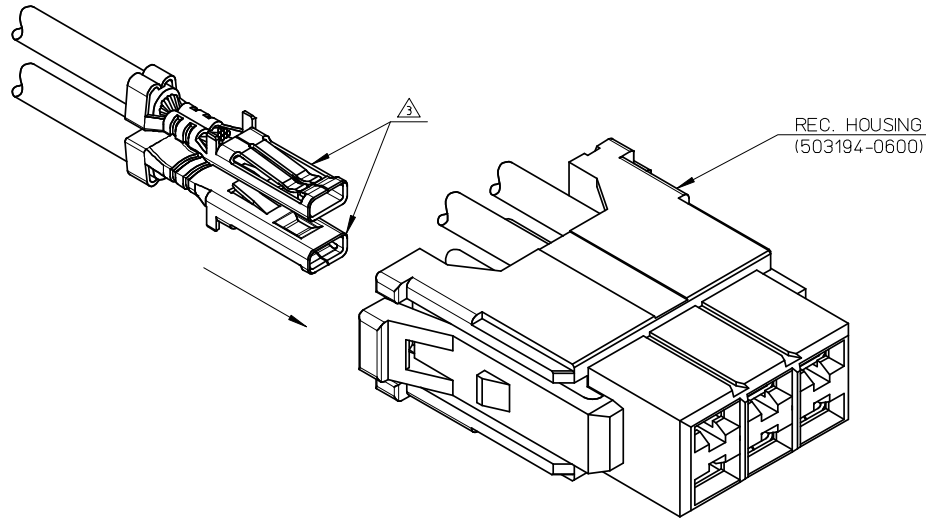
1. 材質
MATERIAL
ナイロン (PA), ガラス充填, UL94V-0, 色: 自然色 (白)
NYLON (PA), GLASS FILLED, UL94V-0, COLOR: NATURAL (WHITE)
2. 嵌合相手: 503193-0600
MATE WITH: 503193-0600
3. 適合端子: 503196シリーズ
APPLICABLE TERMINAL: 503196 SERIES
4. 適合シェル: 58687-00*0 (プラグ シェル アッセンブリ)
58691-00*0 (リセパタクル シェル アッセンブリ)
APPLICABLE SHELL: 58687-00*0 (PLUG SHELL ASSEMBLY)
58691-00*0 (REC. SHELL ASSEMBLY)
5. 適用端子引抜き工具: 578056-6000
APPLICABLE TERMINAL EXTRACTION TOOL: 578056-6000
6. ハーネス加工時及び輸送時においては、コネクタ間での絡みや衝撃、
梱包時の積み重ねによる負荷がかからないように御注意願います。
WHEN TAKING A HARNESS CONNECTOR SHALL BE USED FREE
FORM DIRECT EXCESSIVE FORCE AND TWISTED.
7. 製品の取扱いについては、コネクタ取扱い説明書 (AS-58696-001) を参照願います。
PLEASE REFER TO USER'S MANUAL (AS-58696-001) FOR ROBOT CONN.
8. ELV及びRoHS適合品
ELV And RoHS COMPLIANT

503194-0600	503194-06**	6
PLASTIC BAG	MODEL No.	CIRCUIT 極数
オーダー番号 ORDER No.		

RELEASED EC NO.: J2008-3396 DRWN: SAKI IYAMA 2008/03/25 CHKD: S. SATO 2008/03/26 APPR: S. ICHIKAWA 2008/03/26	GENERAL TOLERANCES (UNLESS SPECIFIED)		DIMENSION STYLE	SCALE	DESIGN UNITS	THIRD ANGLE PROJECTION
			MM ONLY	//	METRIC	
	10 UNDER	±0.2	DRAWN BY	DATE	TITLE	
	10 OVER 30 UNDER	±0.25	S. AKIYAMA	08/02/07	ROBOT CONN. 6P REC. HOUSING	
	30 OVER	±0.3	CHECKED BY	DATE		
		S. SATO	08/02/07			
		APPROVED BY	DATE			
		S. ICHIKAWA	08/02/07			
		ANGULAR	±3 °			
		DRAFT WHERE APPLICABLE MUST REMAIN WITHIN DIMENSIONS				
		MATERIAL NO.	SEE CHART	DOCUMENT NO.		
				SD-503194-001		
		SIZE	A3	SHEET NO.		
		THIS DRAWING CONTAINS INFORMATION THAT IS PROPRIETARY TO MOLEX INCORPORATED AND SHOULD NOT BE USED WITHOUT WRITTEN PERMISSION				



端子装着状態図
CRIMP TERMINAL ASSEMBLY



端子挿入方向
DIRECTION OF TERMINAL INSERTION

RELEASED EC NO: J2008-3396 DRWNSAKIYAMA 2008/03/25 CHKD.S.SATO 2008/03/26 APPR.S.ICHIKAWA 2008/03/26	GENERAL TOLERANCES (UNLESS SPECIFIED)		DIMENSION STYLE MM ONLY	SCALE --#	DESIGN UNITS METRIC	THIRD ANGLE PROJECTION
	10 UNDER	±0.2	DRAWN BY S.AKIYAMA	DATE 08/02/07	TITLE ROBOT CONN. 6P REC. HOUSING	
	10 OVER 30 UNDER	±0.25	CHECKED BY S.SATO	DATE 08/02/07		
	30 OVER	±0.3	APPROVED BY S.ICHIKAWA	DATE 08/02/07	MOLEX INCORPORATED	
ANGULAR	±3 °	MATERIAL NO.	DOCUMENT NO.	SHEET NO.		
DRAFT WHERE APPLICABLE MUST REMAIN WITHIN DIMENSIONS		SEE CHART		SD-503194-001		2 OF 2
		THIS DRAWING CONTAINS INFORMATION THAT IS PROPRIETARY TO MOLEX INCORPORATED AND SHOULD NOT BE USED WITHOUT WRITTEN PERMISSION				