

10 9 8 7 6 5 4 3 2 1

F

E

D

C

B

A

F

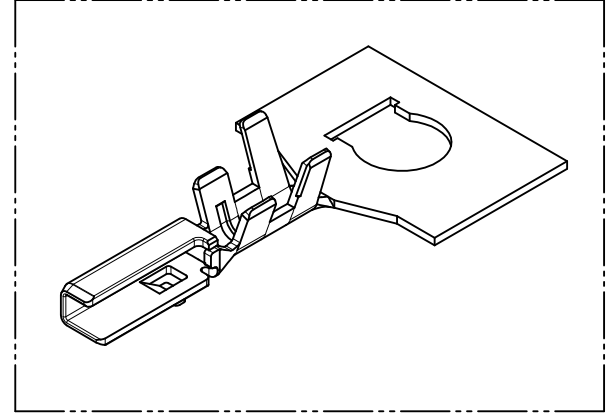
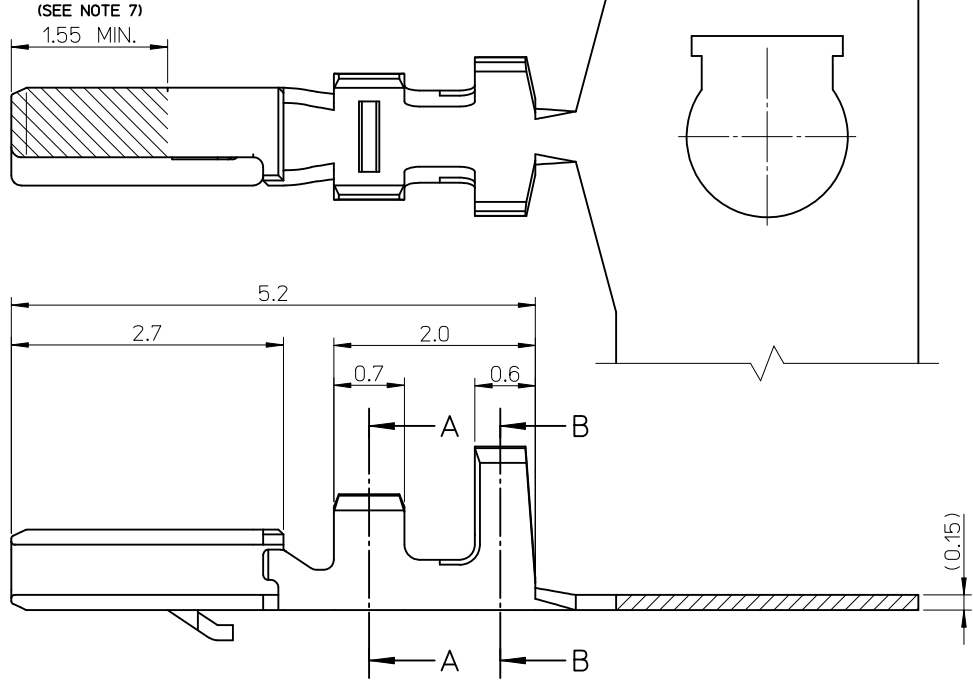
E

D

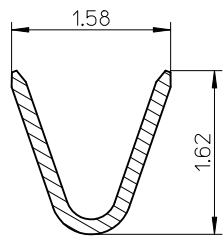
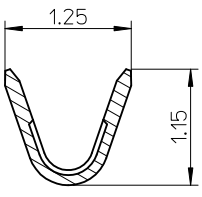
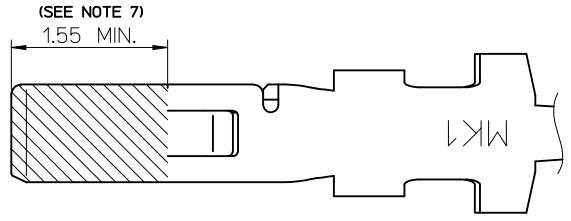
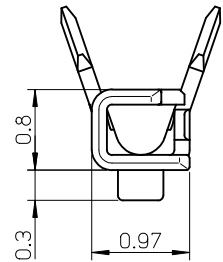
C

B

A



- NOTE**
1. MATERIAL : COPPER ALLOY (t=0.15)
 2. FINISH : REFLOWED PRE-PLATED TIN PLATING ON OVERALL THICKNESS 0.4μm Min, UNDER PLATING CU OVERALL THICKNESS 0.1 μm Min
 3. APPLICABLE HOUSING : 104092,104105, 104121 SERIES
 4. PACKAGING SPECIFICATION : PK-104521-001
 5. CRIMPING SPECIFICATION : CS-104521-001
 6. APPLICABLE CABLE WIRE RANGE : #26~#32'
 7. PLEASE DON'T DAMAGE, DENT AND DON'T MAKE IT DIRTY. BECAUSE THE RANGE IN THE SHADED PORTION SHOWN IN FIGURE IS THE CONTACT AREA.



RELEASED	EC NO: KOR2011-0072	2011/01/10
	DRWN: HTSONG	2011/01/10
	CHKD: SHCHU	2011/01/10
	APPR: YUNSIKKIM	2011/01/10

REV	DESCRIPTION
A	

QUALITY SYMBOLS	
	=0
	=0
GENERAL TOLERANCES (UNLESS SPECIFIED)	
	mm
	INCH
4 PLACES	± ---
3 PLACES	± ---
2 PLACES	± 0.25
1 PLACE	± 0.3
ANGULAR ± 1 °	
DRAFT WHERE APPLICABLE MUST REMAIN WITHIN DIMENSIONS	

DIMENSION STYLE	
MM ONLY	
DRAWN BY	DATE
HTSONG	2010/08/09
CHECKED BY	DATE
SHCHU	2010/08/09
APPROVED BY	DATE
YSKIM	2010/08/09
MATERIAL NO.	
1045216001	
SIZE	
A3	

SCALE	DESIGN UNITS	THIRD ANGLE PROJECTION	
20:1	METRIC		
TITLE			
1.25 W/B CONN. PLUG TERMINAL			
MATERIAL NO.		DOCUMENT NO.	
1045216001		SD-104521-001	
SHEET NO.			
1 OF 1			

9 8 7 6 5 4 3 2 1