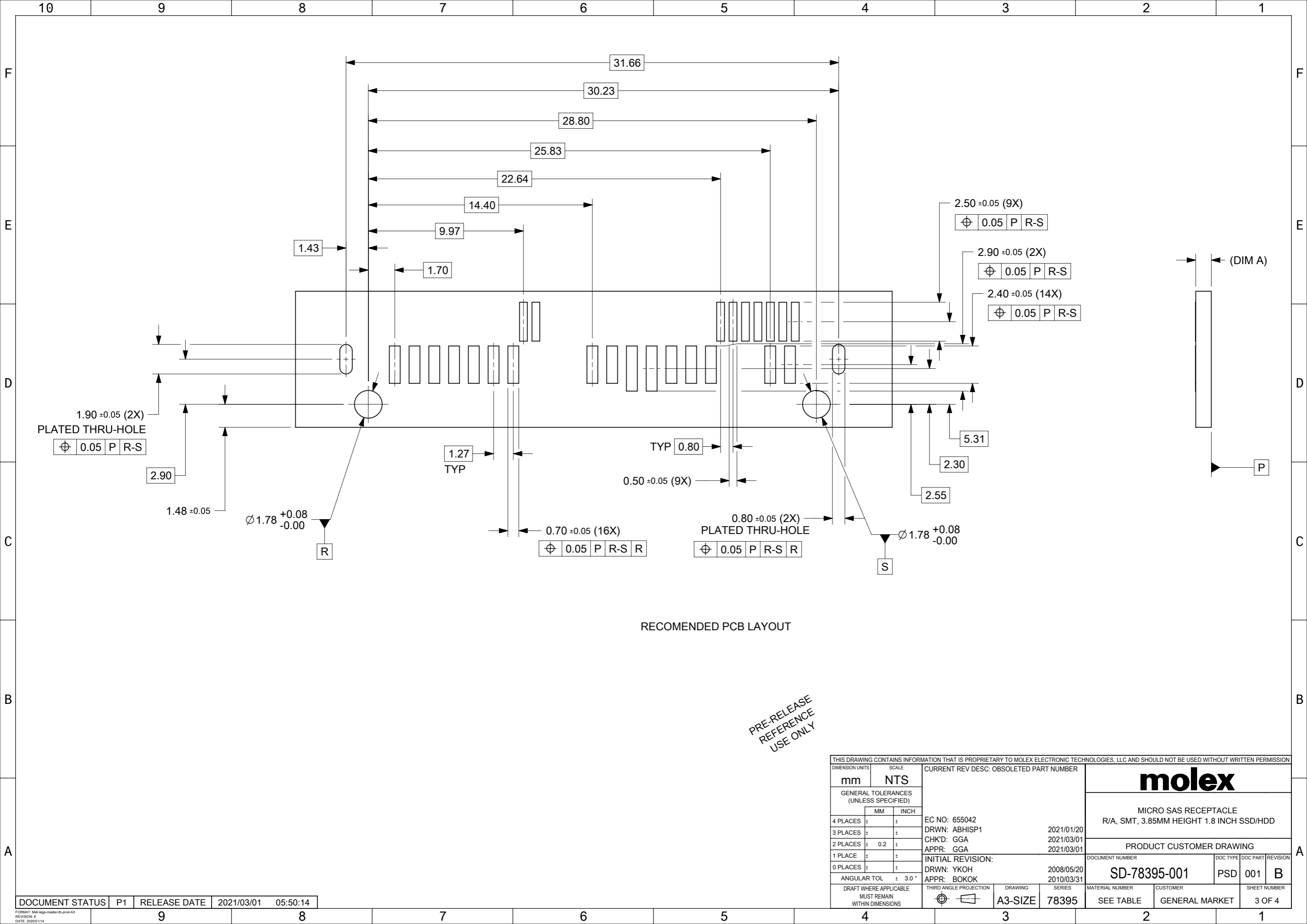


PRE-RELEASE  
REFERENCE  
USE ONLY

THIS DRAWING CONTAINS INFORMATION THAT IS PROPRIETARY TO MOLEX ELECTRONIC TECHNOLOGIES, LLC AND SHOULD NOT BE USED WITHOUT WRITTEN PERMISSION		CURRENT REV DESC: OBSOLETE PART NUMBER		<b>molex</b>	
DIMENSION UNITS: mm		SCALE: NTS			
GENERAL TOLERANCES (UNLESS SPECIFIED)				MICRO SAS RECEPTACLE R/A, SMT, 3.85MM HEIGHT 1.8 INCH SSD/HDD	
				PRODUCT CUSTOMER DRAWING	
4 PLACES ±		±		DOCUMENT NUMBER: SD-78395-001	
3 PLACES ±		±		DOC TYPE: PSD	
2 PLACES ± 0.2		±		DOC PART: 001	
1 PLACE ±		±		REVISION: B	
0 PLACES ±		±			
ANGULAR TOL ± 3.0°					
DRAFT WHERE APPLICABLE MUST REMAIN WITHIN DIMENSIONS		THIRD ANGLE PROJECTION		SHEET NUMBER: 2 OF 4	
		DRAWING: A3-SIZE		MATERIAL NUMBER: SEE TABLE	
		SERIES: 78395		CUSTOMER: GENERAL MARKET	



1.90 ±0.05 (2X)  
PLATED THRU-HOLE  
⌀ 0.05 P R-S

2.50 ±0.05 (9X)  
⌀ 0.05 P R-S

2.90 ±0.05 (2X)  
⌀ 0.05 P R-S

2.40 ±0.05 (14X)  
⌀ 0.05 P R-S

2.90

1.48 ±0.05

⌀ 1.78 +0.08  
-0.00

R

1.27  
TYP

TYP 0.80

0.50 ±0.05 (9X)

0.70 ±0.05 (16X)  
⌀ 0.05 P R-S R

0.80 ±0.05 (2X)  
PLATED THRU-HOLE  
⌀ 0.05 P R-S R

⌀ 1.78 +0.08  
-0.00

S

5.31

2.30

2.55

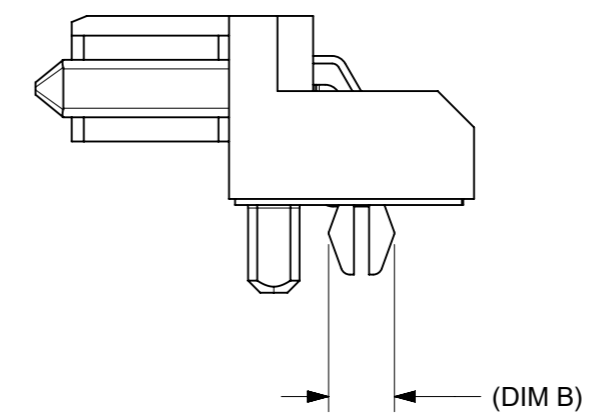
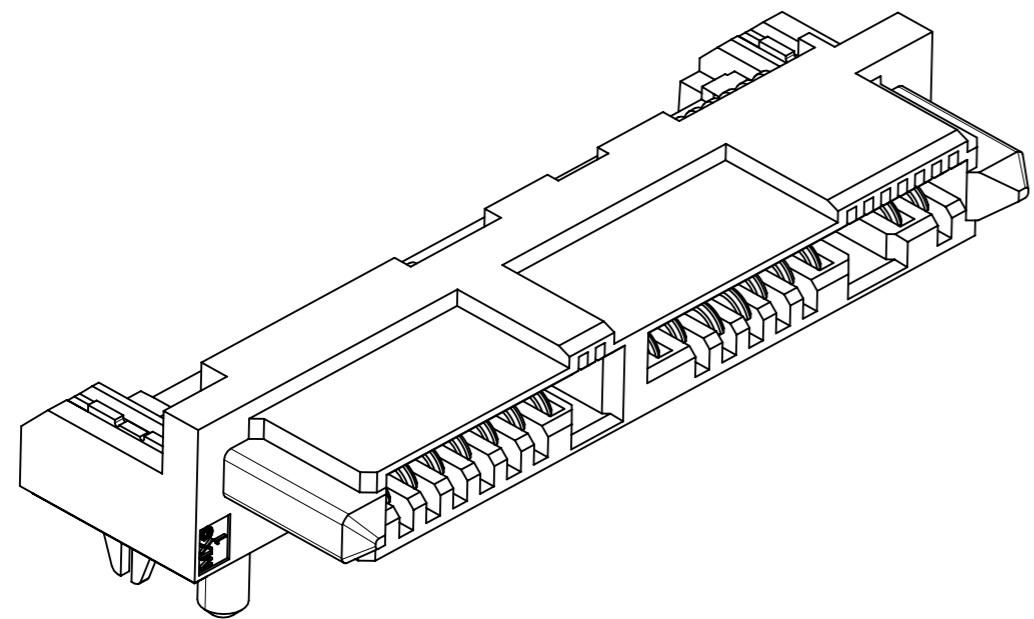
RECOMENDED PCB LAYOUT

PRE-RELEASE  
REFERENCE  
USE ONLY

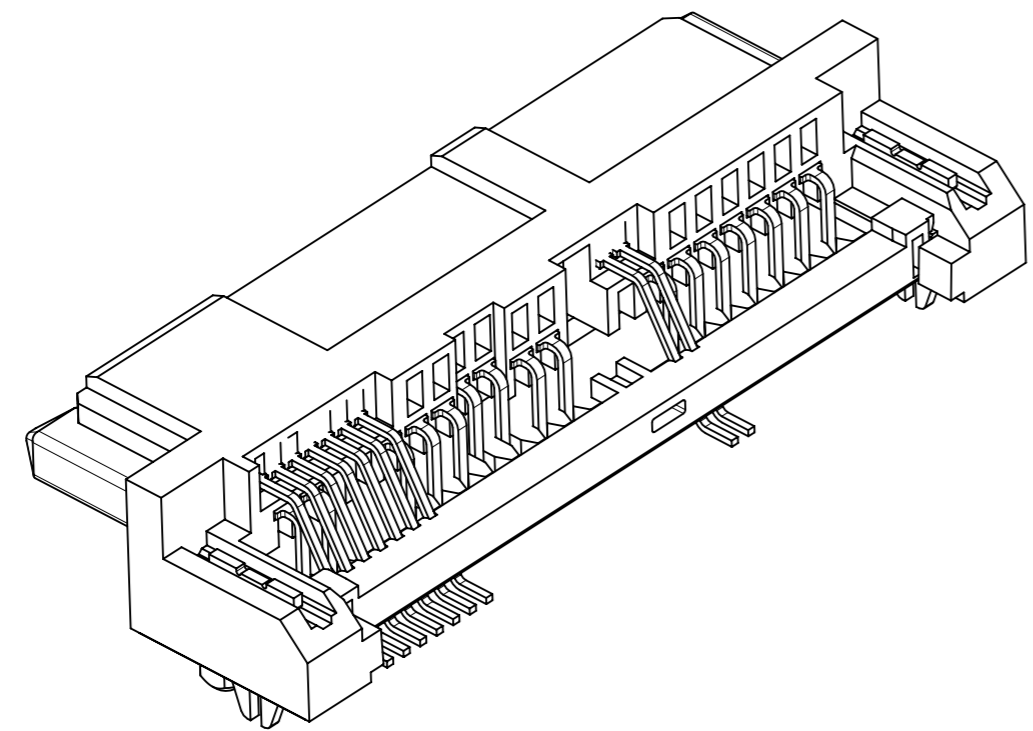
THIS DRAWING CONTAINS INFORMATION THAT IS PROPRIETARY TO MOLEX ELECTRONIC TECHNOLOGIES, LLC AND SHOULD NOT BE USED WITHOUT WRITTEN PERMISSION		CURRENT REV DESC: OBSOLETE PART NUMBER		<b>molex</b>	
DIMENSION UNITS		SCALE			
mm		NTS		MICRO SAS RECEPTACLE R/A, SMT, 3.85MM HEIGHT 1.8 INCH SSD/HDD	
GENERAL TOLERANCES (UNLESS SPECIFIED)				PRODUCT CUSTOMER DRAWING	
				DOCUMENT NUMBER	
				SD-78395-001	
				DOC TYPE	
				PSD	
				DOC PART	
				001	
				REVISION	
				B	
DRAFT WHERE APPLICABLE MUST REMAIN WITHIN DIMENSIONS		THIRD ANGLE PROJECTION		SHEET NUMBER	
				3 OF 4	
DRAWING		SERIES		MATERIAL NUMBER	
A3-SIZE		78395		SEE TABLE	
CUSTOMER		GENERAL MARKET			

DOCUMENT STATUS	P1	RELEASE DATE	2021/03/01	05:50:14
-----------------	----	--------------	------------	----------

PART NUMBER	HOLDDOWN	DIM A (PCB THICKNESS)	DIM B
78395-0001	FORKLOCK	1.00±0.10	(2.18)



78395-0001



PRE-RELEASE  
REFERENCE  
USE ONLY

THIS DRAWING CONTAINS INFORMATION THAT IS PROPRIETARY TO MOLEX ELECTRONIC TECHNOLOGIES, LLC AND SHOULD NOT BE USED WITHOUT WRITTEN PERMISSION											
DIMENSION UNITS		SCALE		CURRENT REV DESC: OBSOLETE PART NUMBER						<b>molex</b>	
mm		NTS									
GENERAL TOLERANCES (UNLESS SPECIFIED)											
		MM		INCH							
4 PLACES		±		±							
3 PLACES		±		±							
2 PLACES		± 0.2		±							
1 PLACE		±		±							
0 PLACES		±		±							
ANGULAR TOL		± 3.0°									
DRAFT WHERE APPLICABLE MUST REMAIN WITHIN DIMENSIONS				THIRD ANGLE PROJECTION		DRAWING		SERIES		MATERIAL NUMBER	
						A3-SIZE		78395		SEE TABLE	
										CUSTOMER	
										GENERAL MARKET	
										SHEET NUMBER	
										4 OF 4	

DOCUMENT STATUS	P1	RELEASE DATE	2021/03/01	05:50:14
-----------------	----	--------------	------------	----------