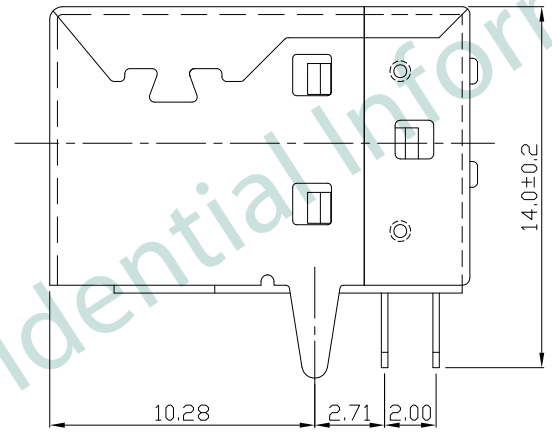
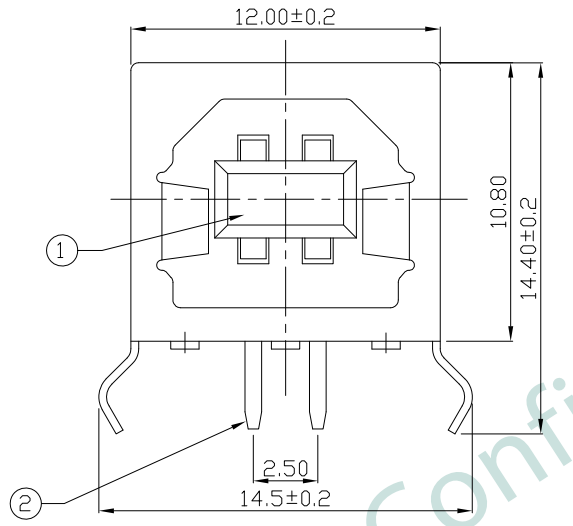
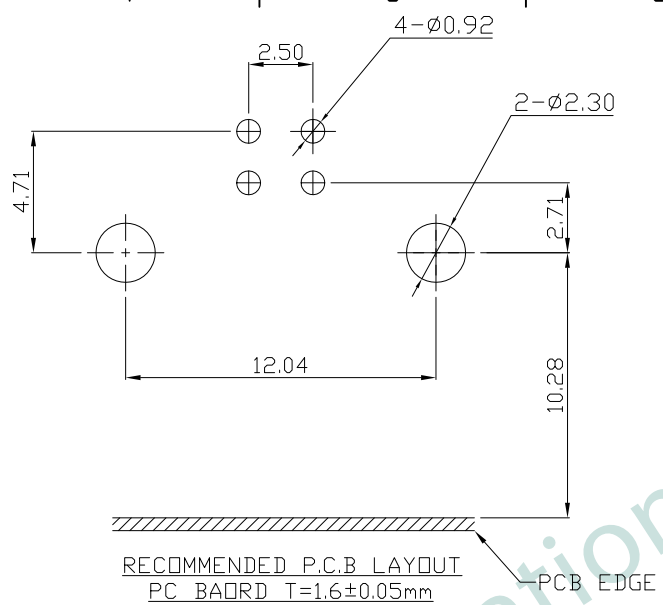
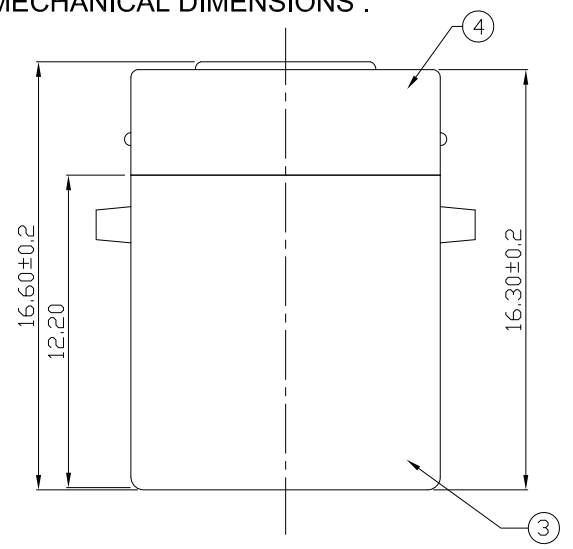


1. MECHANICAL DIMENSIONS :



REV.	DATE	DESCRIPTION
01	Nov. 20, '17	1st RELEASE

- NOTES:
- SPECIFICATION:
 CONTACT CURRENT RATING: 1AMPERES
 DIELECTRIC WITHSTANDING VOLTAGE: AC 500V
 INSULATION RESISTANCE: 1000MΩ MIN.
 CONTACT RESISTANCE 30mΩ MAX.
 OPERATING TEMPERATURE: -55°C TO +85°C
 - MECHANICAL CHARACTERISTICS:
 MATING FORCE: 3.5KG MAX.
 UNMATING FORCE: 1KG MIN.
 DURABILITY: 1500 CYCLES.
 - UNSPECIFIED TOLERANCE: .XX±0.10[0.004]
 .X±0.20[0.008]

KUSB-6-6-4-3-1-3-06

6: USB
 6: B / T RIGHT ANGLE DIP
 NUMBER OF PIN

3: WHITE
 SERIAL NUMBER

1: GOLD FLASH
 3: ALL NI

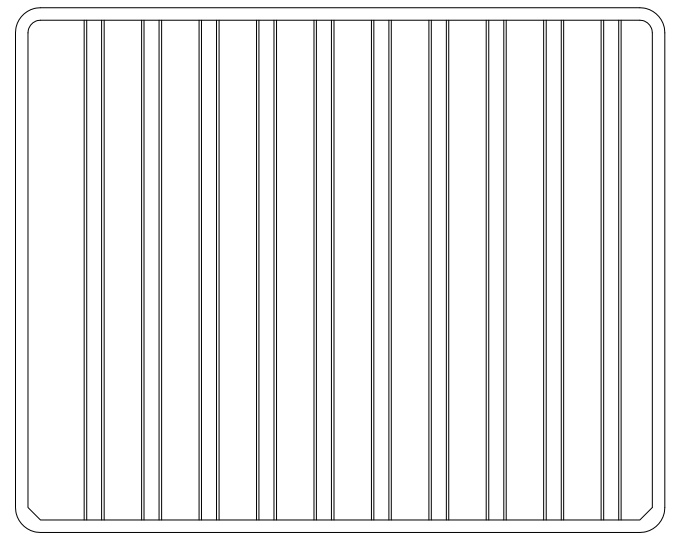
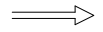
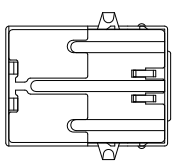
4	AFTER COVER	HIGH CARBON STEEL	0.30	Ni 100u"	1
3	SHELL	HIGH CARBON STEEL	0.30	Ni 100u"	4
2	TERMINAL	COPPER ALLOY	0.25	Sn 100u" & Au: G / F	1
1	HOUSING	SYNTHETIC RESIN (UL94V-0)		WHITE	1
No.	PART NAME	MATERIAL	THICK	FINISH	Q'TY

PART NO		KUSB-6-6-4-3-1-3-06			
TITLE	USB B TYPE(F) DIP				
REV : 01					
UNIT	DRAWN	CHKD	DATE	SHEET	
mm[inch]	CINDY	DANIEL	Nov. 20, '17	1 of 2	

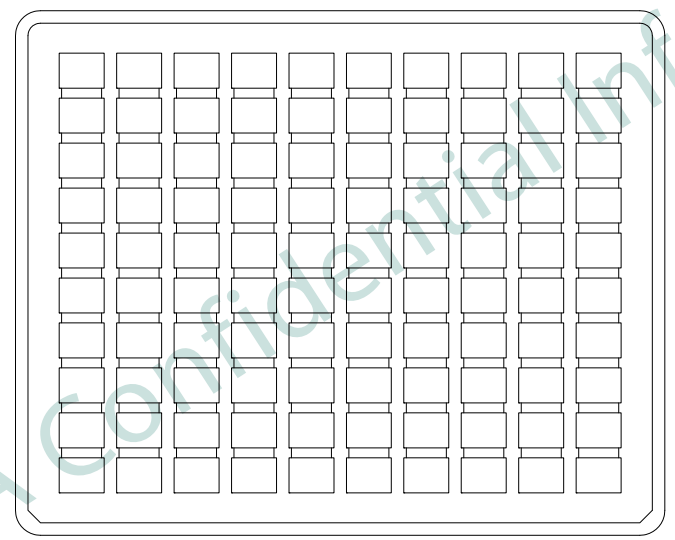
2. PACKING SPECIFICATION:

PCS/TRAY	TRAY/CARTON	CARTON/PCS
100/1	15/1	1/1500

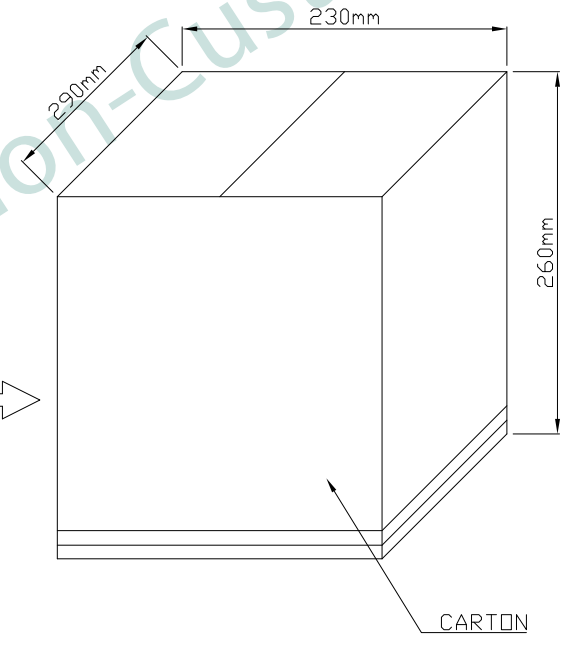
A
B
C
D
E
F



TOP COVER



BOTTOM COVER



CARTON

PART NO		KUSB-6-6-4-3-1-3-06		
TITLE		USB B TYPE(F) DIP		
REV : 01				
UNIT	DRAWN	CHKD	DATE	SHEET
mm[inch]	CINDY	DANIEL	Nov. 20, '17	2 of 2